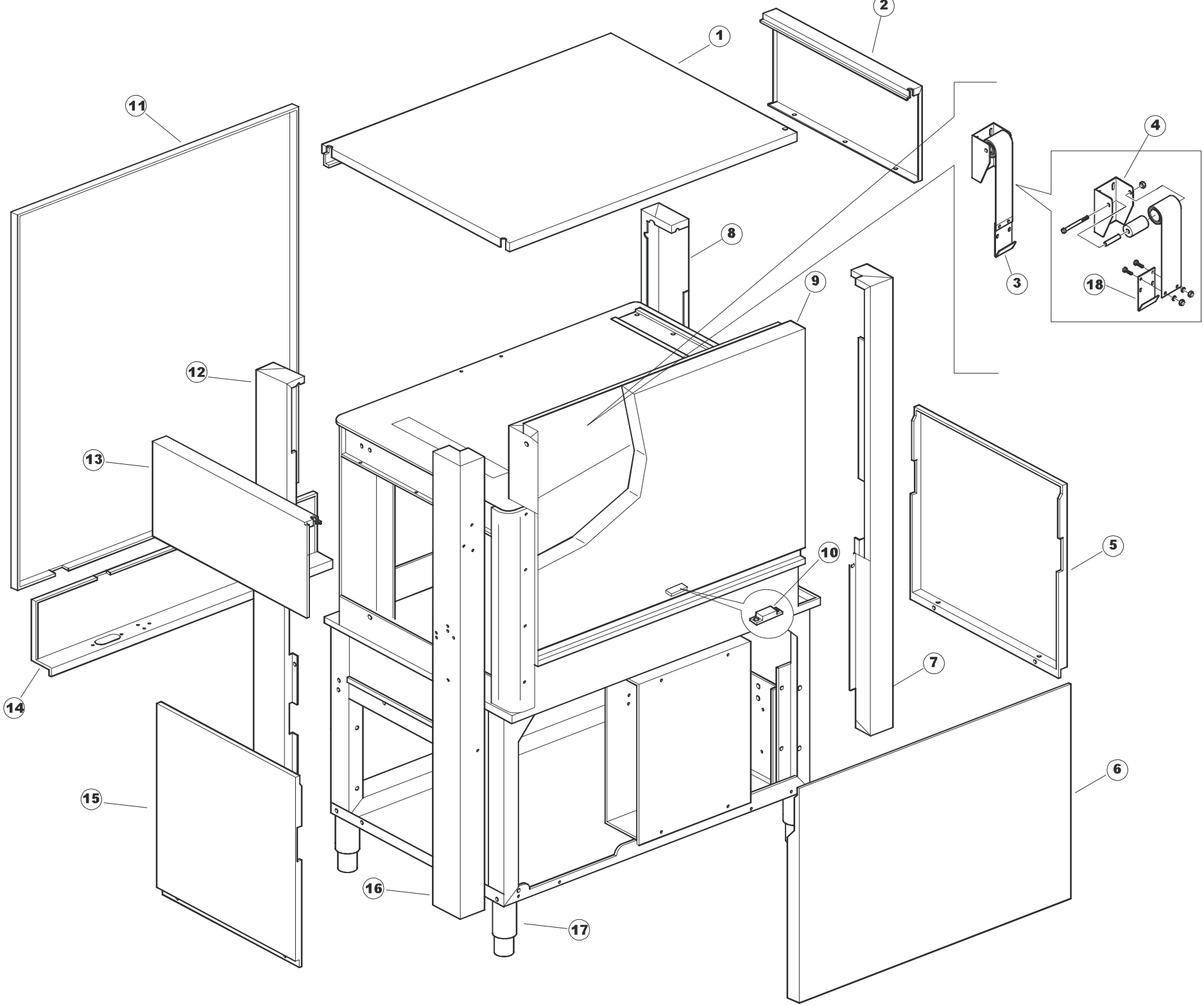


# HOBART

**SPARE PARTS CATALOGUE  
ERSATZTEILKATALOG  
CATALOGUE PIECES DETACHEES  
CATALOGO PARTI RICAMBIO  
CATALOGO DE PIEZAS DE RECAMBIO  
CATALOGO PEÇAS DE REPOSICAO**

## CCR 130

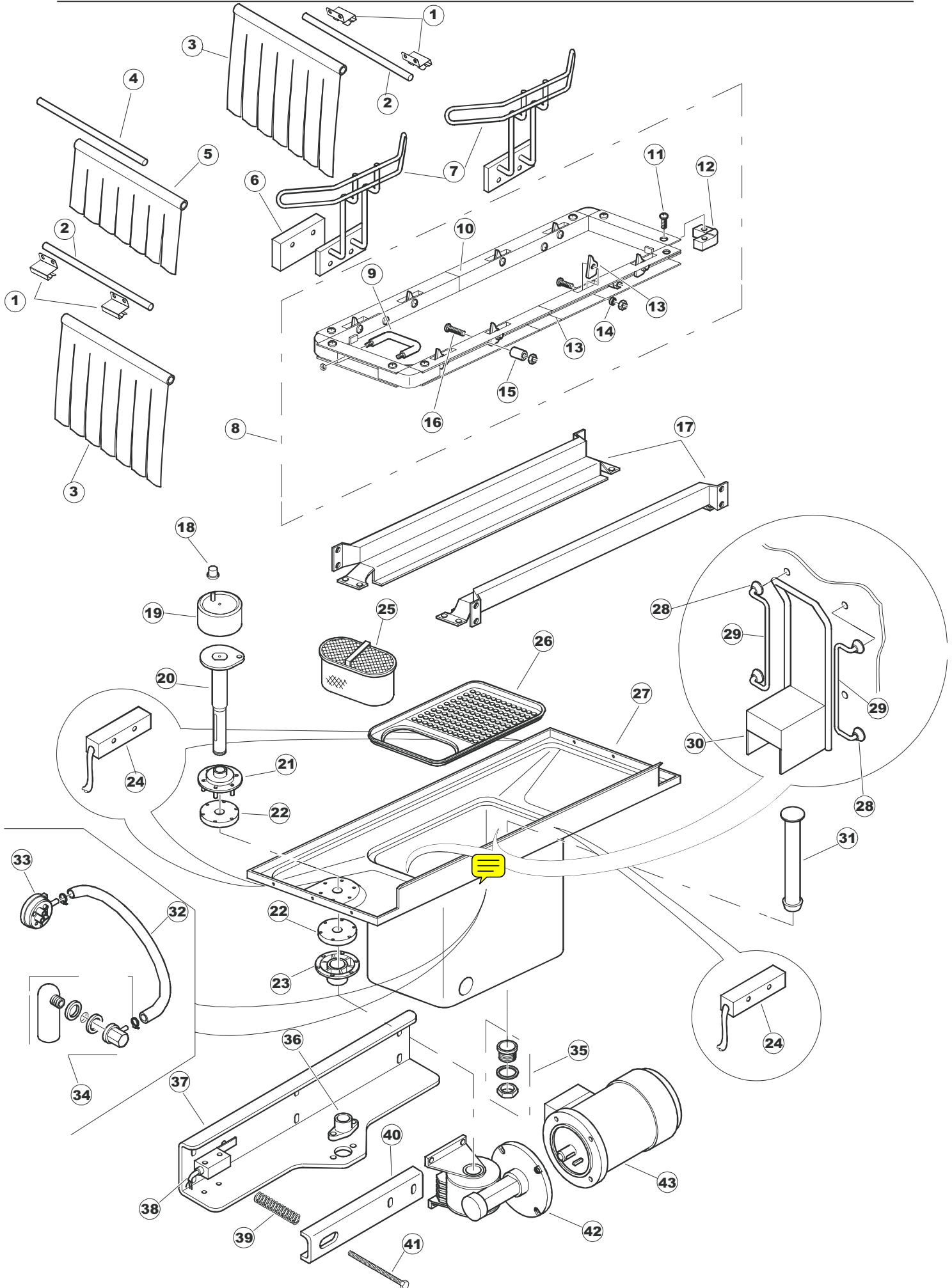
**17-11-2009**



# Pagina 1

1	75050	PANNELLO SUP EST. TRAINO PG FINITO PANEL, UPPER OUT. FOR RACK CONV.PG FINISHED PLATTE, OB. AUSS. FÜR KORBTR.PG MASCHINENFERTIG PANNEAU SUP EXT. AVANC. PG FINI	
2	75035	FACCIATINA ESTERNA SUP. PIEGATO FINITO	
3	75271	KIT MOLLE SPORTELLO GOLD80/RIVER150 KIT DOOR SPRINGS GOLD80/RIVER150 KIT TÜRFEDER GOLD80/RIVER150 KIT RESSORTS VOLET GOLD80/RIVER150	
4	75225	SCATOLA SUPPORTO MOLLE SPORT. PG FINITO	
5	75053	PANNELLO LATERIALE TRAINO PG FINITO SIDE PANEL SEITENPANEEL PANNEAU LATERAL	
6	75052	PANNELLO ANT. TRAINO (COMPLETO) NEUTRO FRONT PANEL VORDER-PANEEL PANNEAU AVANT	
7	75039	PANNELLO ANG ANT DX PG FINITO	
8	75040	PANNELLO ANGOLARE POSTERIORE DESTRO PIEGATO FINITO BACK ANGLE RIGHT PANEL	
9	75082	SPORTELLO TRAINO COMPLETO COMPLETE DOOR KOMPLETTE TUER PORTE COMPLETE	
10	926014	MAGNETE 8x16x40 + CUST.xDEM201 MAGNET 8x16x40 + CUST.xDEM201 MAGNET 8x16x40 + CUST.xDEM201 AIMANT 8x16x40 + CUST.xDEM201	
11	75244	PANNELLO POSTER.SUP. TRAINO PG FINITO BACK PANEL RUECKWAND PANNEAU POSTERIEUR	
12	75041	PANNELLO ANG POST. SX PG FINITO BACK PANEL RUECKWAND PANNEAU ANGLE POSTERIEUR	
13	75035	FACCIATINA ESTERNA SUP. PIEGATO FINITO	
14	75043	SOST=75080+75244	
15	75053	PANNELLO LATERIALE TRAINO PG FINITO SIDE PANEL SEITENPANEEL PANNEAU LATERAL	
16	75038	PANNELLO ANGOLARE ANTERIORE SINISTRO PIEGATO FINITO CORNER FRONT PANEL RUECKWAND PANNEAU ANGLE ANTERIEUR	
17	926117	PIEDE REGOLABILE X CAPOTT.3LINEA FOOT, ADJUST. X CAPOTT.3LINE VERSTELLFUSS X HAUB.3LEIT. PIED REGLABLE POUR CAPOT.3LIGNE	

18	75226	GANCIO MOLLA SPORTELLO TRAINO PG FINITO SPRING HOOK FEDER-HAKEN CROCHAGE RESSORT	
----	-------	-------------------------------------------------------------------------------------------	--



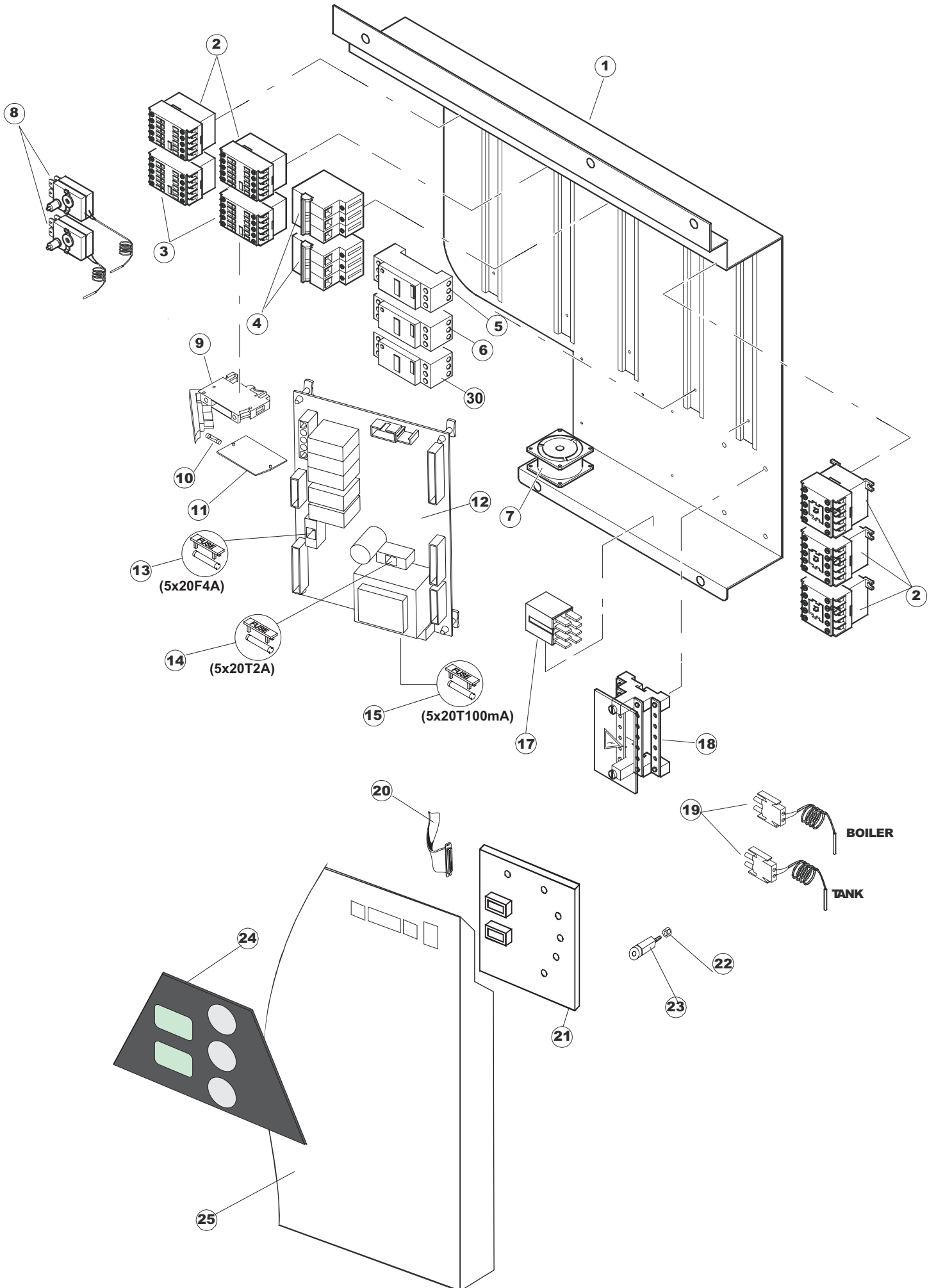
## Pagina 2

1	75581	SQ. SUPPORTO TENDINA PG FINITA CURTAIN SUPPORTING BRACKET - FINISHED PART BEFESTIGUNGSWINKEL FUER VORHANG - FERTIGTEIL ÉQUERRE SUPPORT RIDEAU PG - ACHEVÉE	
2	75121	ASTA SOSTEGNO TENDINA TRAINO ROD, SSUPPORT FOR CURTAIN STAB, STÜTZE FÜR VORHANG BARRE SUPPORT RIDEAU AVANCEMENT	
3	75120	TENDINE ENTRATA/USCITA TRAINO CURTAIN, INPUT/OUTPUT VORHANG, EINTRITT/AUSTRITT RIDEAUX ENTREE/SORTIE AVANCEMENT	
4	75124	ASTA SOSTEGNO TENDINA INERMED. TRAINO ROD, SUPPORT FOR INTERM. CURTAIN STAB, STÜTZE FÜR MITTL.VORHANG BARRE SUPPORT RIDEAU INTERMED. AVANCEMENT	
5	75123	TENDINA INTERMEDIA TRAINO CURTAIN, INTERMEDIATE ZWISCHENVORHANG RIDEAU INTERM. AVANCEMENT	
6	927088	MAGNETE PER MICROINTERRUTTORE MAGNET FOR MICROSWITCH MAGNET FÜR MIKROSCHALTER AIMANT POUR MINIRUPTEUR	
7	75095	LEVA ECONOMIZZATORE/AUTOTIMER TRAINO LEVER FOR ECONOMIZER/AUTOTIMER FOR RACK C. HEBEL FÜR SPARREGLER/AUTOTIMER KORBTR. LEVIER ECONOMISATEUR/AUTOTIMER AVANCEMENT	
8	75069	CARRELLO TRAINO "GOLD80" COMPLETO CARRIAGE FOR RACK-CONVEYOR "GOLD80" COMPL. WAGEN FÜR KORBTR. "GOLD80" KOMPL. CHARIOT AVANCEMENT TRAINO "GOLD80" COMPLET	
9	75073	MANIGLIA COLLEGAMENTO TRAINO HANDLE, RACK CONVEYOR CONNECTION GRIFF, KORBTRANSPORTM.VERBIND. POIGNEE CONNECTION AVANCEMENT	
10	75070	TELAIO CARRELLO TRAINO PIEGATO FINITO FRAME TRAILER	
11	486169	VITE NOX 4MAX10/4 TBCR-SP SCREW, INOX 4MAX10/4 TBCR-SP SCHRAUBE, INOX 4MAX10/4 TBCR-SP VIS NOX 4MAX10/4 TBCR-SP	
12	75075	PATTINO CARRELLO TRAINO SLIDING BLOCK FOR RACK-CONVEYOR KUFEN FÜR KORBTR. PATINS PANIER AVANC.	
13	75071	SALTARELLO TRAINO SALTARELLO TRAINO ABLAUFVERSCHLUSS CLIQUET D'ARRET AVANCEMENT	
14	75077	BOCCOLA SALTARELLO BUSH, PAWL BUCHSE, ABLAUFVERSCHLUSS BAGUE CLIQUET D'ARRET	
15	75076	TAMPONE FERMO TRAINO BUFFER FOR DRIVE STOP PUFFER, HALTEVORRICHTUNG FÜR KORBTRANSPORTAUT. TAMPON ARRET AVANC.	
16	486078	VITE TC-CE M6X40 INOX SCREW TC-CE M6X40 INOX SCHRAUBE TC-CE M6X40 INOX VIS TC-CE M6X40 INOX	
17	75024	GUIDA CESTELLO TRAINO COMPLETA COMPLETE RACK TRACK SLIDE KOMPLETTE FUEHRUNGSSCHIENE FUER KORB-TRANSPORT GLISSIÈRE PANIER COMPLETE POUR SYSTÈME TRACTION	

18	75058	ROTELLA TRAINO ROLLER FOR RACK CONVEYOR ROLLE FÜR KORBTR. ROULEAUX D'AVANC.	
19	75231	PARASPRUZZI TRAINO SPLASHGUARD FOR RACH-CONVEYOR SPRITZBLECH FÜR KORBTR. ANTIECLABOUSS. AVANCEM.	
20	75235	ALBERO MOTORE TRAINO COMPLETO DRIVING SHAFT, COMPLETE ANTRIEBSWELLE KOMPL. ARBRE MOTEUR AVANCEMENT COMPLET	
21	75141	BOCCOLA TRAINO SUPERIORE BUSH, UPPER DRIVE BUCHSE, OB. KORBTRANSPORTMASCHINE BAGUE AVANCEMENT SUP.	
22	75168	GUARNIZIONE FLANGIA ALBERO TRAINO GASKET, FLANGE, DRIVE SHAFT DICHTUNG, FLANSCH, ANTRIEBSWELLE JOINT BRIDE ARBRE AVANCEMENT	
23	75057	BOCCOLA TRAINO INFERIORE BUSH, LOWER DRIVE BUCHSE, UNT. KORBTRANSPORTMASCHINE BAGUE AVANCEMENT INF.	
24	211002	CONT.MAGNETICO+CAVO 302N.Ocm25 CONTACT, MAGNETIC+CABLE 302N.Ocm25 KONTAKT, MAGNET.+KABEL 302N.Ocm25 CONT. MAGNETIQUE+CABLE 302N.Ocm25	
25	75146	FILTRO RACCOLTA CON MANIGLIA TRAINO FILTER, COLL. WITH RACK CONVEYOR HANDLE FILTER, SAMML. MIT KORBTR.GRIFF FILTRE RECOLTE AVEC POIGNEE AVANCEMENT	
26	75200	FILTRO PIANO TRAINO FILTER, FOR RACK CONVEYOR TABLE FILTER, FÜR KORBTR.TISCH FILTRE PLAQUE AVANCEMENT	
28	472061	RONDELLA X GUIDA CESTO CL.3 WASHER, FOR BASKET GUIDE CL.3 UNTERLEGSCHIEBE, FÜR KORBFÜHRUNG KL.3 RONDELLE POUR GUIDE PANIER CL.3	
29	42092	GUIDA FILTRO ASPIRAZIONE U70 GUIDE, EXHAUST. FILTER U70 FÜHRUNG, ABSAUG.FILTER U70 GUIDE FILTRE ASPIRATION U70	
30	42089	FILTRO ASPIRAZIONE POMPA U70 FILTER, SUCTION FOR PUMP U70 FILTER, ABSAUG. FÜR PUMPE U70 FILTRE ASPIRATION POMPE U70	
31	75262	TROPPOP INOX COMPL TRAINO OVERFLOW, INOX COMPL.FOR HOOD-TYPE ÜBERLAUF, INOX KOMPL.FÜR KORBTRANSP. TROP-PLEIN INOX COMPL AVANCEMENT	
32	143005	TUBO PRESS.TP 5x11 (CASER/15/NL C4N) PIPE, PRESSURE SWITCH TP 5x11 (CASER/15/NL C4N) ROHR, DRUCKSCHALTER TP 5x11 (CASER/15/NL C4N) TUYAU PRESS.TP 5x11 (CASER/15/NL C4N)	
33	926049	PRESSOSTATO 761999 180-70 PRESSURE SWITCH 761999 180-70 DRUCKSCHALTER 761999 180-70 PRESSOSTAT 761999 180-70	
34	984005	GRUPPO CAMPANA PRESSOST.35/40 PRESSURE SWITCH BELL 35/40 GLOCKE, DRUCKSCHALTER 35/40 ENS.BOITE PRESSOSTAT 35/40	
35	42185	PILETTA COMPL.INOX 1"1/2 (01713007) DRAIN, COMPL., INOX 1"1/2 (01713007) ABFLUSS, KOMPL., INOX 1"1/2 (01713007) TUYAU DE VIDANGE COMPL.INOX 1"1/2 (01713007)	
36	75142	BOCCOLA INFERIORE TRAINO BUSH, LOWER RACK-CONVEYOR BUCHSE, UNTEN KORBTR. BAGUE INF. AVANCEMENT	

37	75217	STAFFA MOTORE TRAINO PG FINITO	
38	927246	MICROINTERRUPTORE MS30+CALOTTA VFC03 MICROSWITCH, MS30+NUT VFC03 MIKROSCHALTER, MS30+MUTTER VFC03 MINIRUPTEUR MS30+ECROU VFC03	
39	CMT13	MOLLA A COMPRESS D 20 L 100 FILO 2 SPRING, COMPRESSION D 20 L 100 WIRE 2 DRUCKFEDER D 20 L 100 DRAHT 2 RESSORT A COMPRESS D 20 L 100 FIL 2	
40	75218	STAFFA AZIONAMENTO MICRO TRAINO PIEGATO FINITO BRACKET TRAGBUEGEL ENTRIER	
41	60354	VITE REGISTRO FRIZIONE ALFA SCREW, ADJUSTING SCREW FOR FRICTION ALFA JUSTIERSCHRAUBE FÜR KOPPLUNG ALFA VIS REGISTRE FRICTION ALFA	
42	927102	RIDUTTORE MVF-49A 1/60 160/220 RED.GEAR MVF-49A 1/60 160/220 REDUZIERST. MVF-49A 1/60 160/220 REDUCTEUR MVF-49A 1/60 160/220	
43	927105	MOTORE 180W MEC71 B5 6-8POLI 400 220/270 MOTOR 180W MEC71 B5 6-8POLES 400 220/270 MOTOR 180W MEC71 B5 6-8POL. 400 220/270 MOTEUR 180W MEC71 B5 6-8POLES 400 220/270	

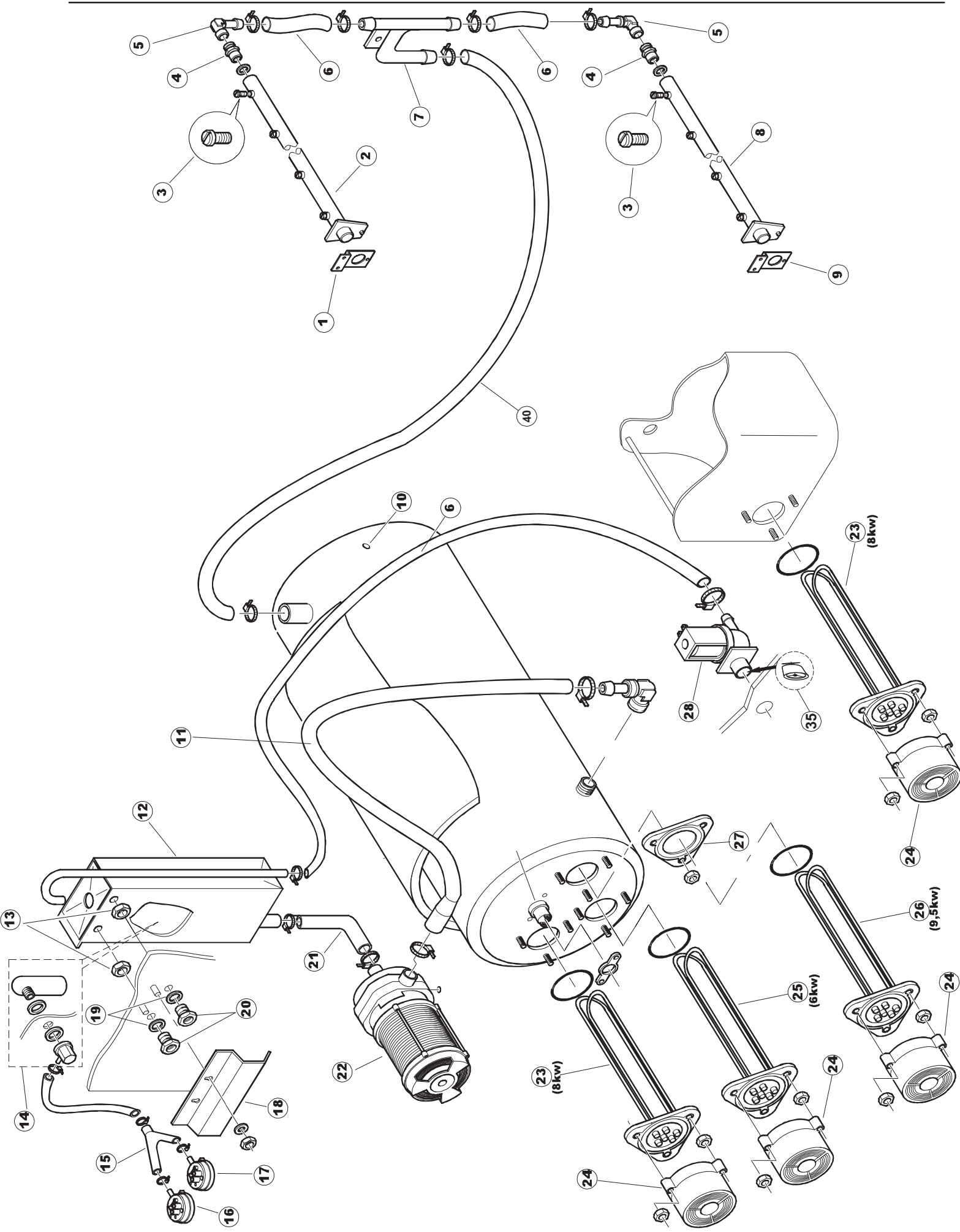




# Pagina 3

1	75182	PANNELLO QUADRO ELETTRICO COMPLETO	
2	80350	CONTAT 230-50/60HZ 3RT1016-1AP01 CONTACT, 230-50/60HZ 3RT1016-1AP01 KONTAKT, 230-50/60HZ 3RT1016-1AP01 CONTACT 230-50/60HZ 3RT1016-1AP01	
3	80351	CONTATTORE TRIPOLARE 40A CONTACTOR TRIPOLAR 40A SCHALTSCHÜTZ DREIPOL. 40A CONTACTEUR TRIPOLAIRE 40A	
4	927038	PORTAFUSIBILE TRIPOLARE GK1-DF FUSE-HOLDER TRIPOLAR GK1-DF SICHERUNGSTRAGER DREIPOL. GK1-DF PORTE-FUSIBLE TRIPOLAIRE GK1-DF	
5	DEI35	INT AUT 3X25A 07/1A 3RV1011-0JA10 AUTOM.SWITCH 3X25A 07/1A 3RV1011-0JA10 AUTOMATIKSCHALTER 3X25A 07/1A 3RV1011-0JA10 INTERRUPT. AUT 3X25A 07/1A 3RV1011-0JA10	
6	DEI37	INT AUT 3X25A 1,8/2,5A 3RV1011-1CA10 AUTOM.SWITCH 3X25A 1,8/2,5A 3RV1011-1CA10 AUTOMATIKSCHALTER 3X25A 1,8/2,5A 3RV1011-1CA10 INTERRUPT. AUT 3X25A 1,8/2,5A 3RV1011-1CA10	
7	77044	VENTILATORE QUADRO 80X25 (230V-50/60HZ)	
8	927057	TERMOSTATO 3 CONTATTI 90/110°C TYPE LS1 THERMOSTAT, 3-CONTACT 90/110°C TYPE LS1 THERMOSTAT, 3-KONTAKTE 90/110°C TYP LS1 THERMOSTAT 3 CONTACTS 90/110°C TYPE LS1	
9	H.228048	* CHIUSURA PORTA-FUSIBILE * CLAMPING FOR FUSE-HOLDER * SICHERUNGSTRAGER-VERSCHLUSS * COUVERTURE PORTE-FUSIBLE	
10	228004	FUSIBILE 5X20 4A FAST FUSE, 5X20 4A FAST SICHERUNG, 5X20 4A FAST FUSIBLE 5X20 4A FAST	
11	H.228047	* PORTA-FUSIBILE * FUSE-HOLDER * SICHERUNGSTRAGER * PORTE-FUSIBLE	
12	215032	SCHEMA ELETTRONICA GET50 MAIN BOARD KARTE CARTE ELECTRONIQUE	
13	228004	FUSIBILE 5X20 4A FAST FUSE, 5X20 4A FAST SICHERUNG, 5X20 4A FAST FUSIBLE 5X20 4A FAST	
14	228011	FUSIBILE 5X20 T2A FUSE SICHERUNG FUSIBLE	
15	228012	FUSIBILE 5X20 T100MA FUSE SICHERUNG FUSIBLE	
17	929115	RELE 16A 230V 62.82 RELAY 16A 230V 62.82 RELAIS 16A 230V 62.82 RELAIS 16A 230V 62.82	
18	75983	MORSETTIERA 4POLI 600V TERMINAL BOARD 4P 600V KLEMMLEISTE 4P 600V BORNIER 4P 600V	

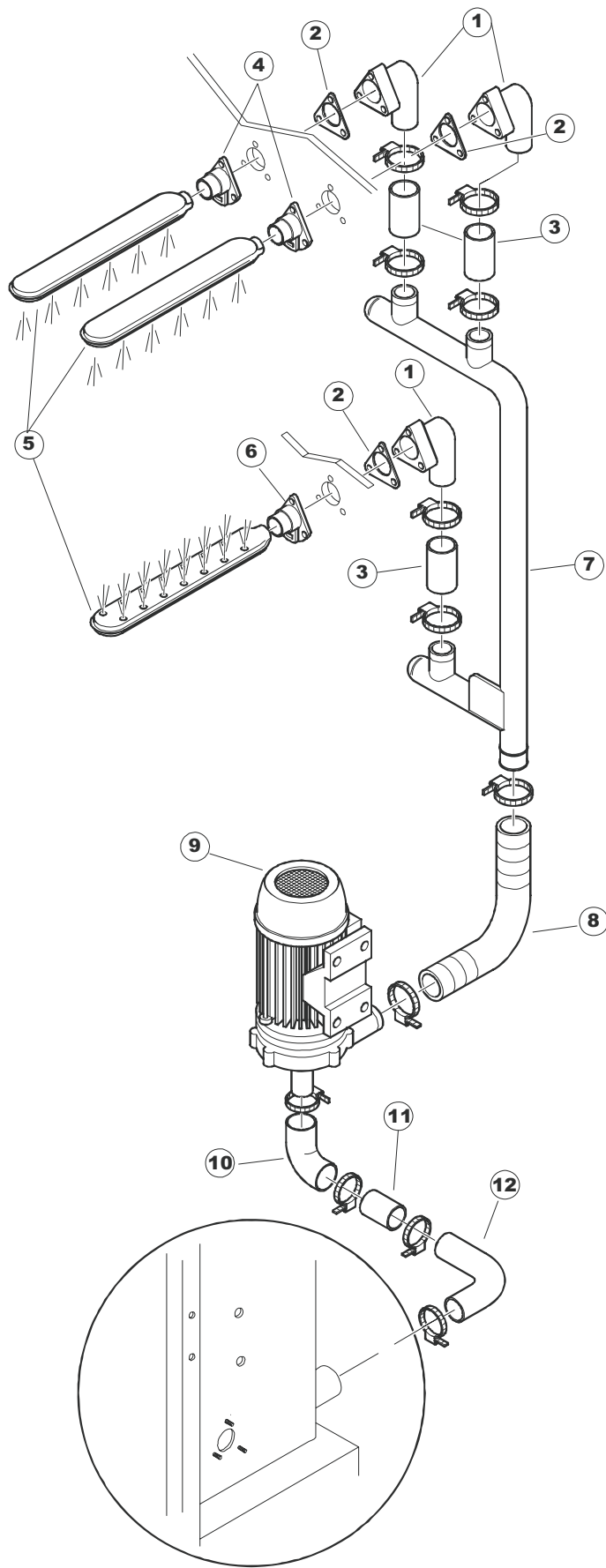
19	231016	SONDA TEMPERATURA TEMP. PROBE KUGEL SONDE	
20	80934	CAVO FLAT COMANDI INFERIORI CAPOT CABLE FLAT CAPOT KABEL FLAT CABLE LIAISON	
21	80889	TASTIERA COMANDI CONTROL KEYBOARD BEDINGUNGEN-TESTENBRETT TABLEAU A POUSSOIRS COMMANDES	
22	417119	DADO M3 PLASTICA BIANCO NUT, M3 PLASTIC WHITE SCHRAUBENMUTTER, M3 KUNST. WEISS ECROU M3 PLASTIQUE BLANC	
23	419036	DISTANZIALE M3 SPACER, M3 ABSTANDSSTÜCK, M3 ENTRETOISE M3	
24	75961	POLIESTERE	
25	75052	PANNELLO ANT. TRAINO (COMPLETO) NEUTRO FRONT PANEL VORDER-PANEEL PANNEAU AVANT	
30	DEI40	INT AUT 3X25A 2,8/4A 3RV1011-1EA10 AUTOM.SWITCH 3X25A 2,8/4A 3RV1011-1EA10 AUTOMATIKSCHALTER 3X25A 2,8/4A 3RV1011-1EA10 INTERRUPT. AUT 3X25A 2,8/4A 3RV1011-1EA10	



# Pagina 4

1	75131	SQUADRA SUPERIORE FISSAGGIO BRACCIO RISCIAQUO PG. BRACKET BEF.WINKEL EQUERRE	
2	75115	BRACCIO SUPERIORE RISCIAQUO COMPLETO UPPER ARM, COMPL.RINSE OB. NACHSPÜLARM, KOMPL. BRAS SUPERIEUR RINCAGE COMPLET	
3	75133	SPRUZZATORE RISCIAQUO INOX SPRAYER, RINSE, INOX SPRITZDÜSE, NACHSPÜLEN, INOX GICLEUR RINCAGE INOX	
4	75401	RACCORDO BRACCIO RISCIAQUO TRAINO UNION, RINSE ARM TRAINO VERBINDUNGSST., NACHSPÜLARM KORBTR. RACCORD BRAS RINCAGE AVANCEMENT	
5	468165	PIPA RACCORDO PLASTICA 35/40/22 LUG, PLASTIC UNION 35/40/22 FITTING, KUNST. VERBINDUNGSST. 35/40/22 TUBE RACCORD PLAST.35/40/22	
6	143010	TUBO PRESS.TP 12X19.5 PIPE, PRESSURE SWITCH TP 12X19.5 ROHR, DRUCKSCHALTER TP 12X19.5 TUYAU PRESS.TP 12X19.5	
7	143173	GIUNZIONE RISC.PLAST.35/40/50 JOINT, RINSE PLAST.35/40/50 VERBIND., NACHSPÜLEN KUNST.35/40/50 JOINT RINC.PLAST.35/40/50	
8	75125	BRACCIO INFERIORE RISCIAQUO COMPLETO LOWER ARM, RINSE COMPLETE UNT. ARM, NACHSPÜLEN KOMPL. BRAS INF. RINCAGE COMPLET	
9	75129	SQ INF. FISSAGGIO BRACCIO RISCIAQUO.PG.F BRACK., LOWER FOR RINSE ARM FIX.PG.F BEFESTIGUNGSWINKEL, UNT. FÜR NACHSPÜLARM PG.F EQ. INF. FIXATION BRAS RINC.PG.F	
10	75275	BOILER 14 LITRI TRAINO BOILER 14 LITRES, RACK CONVEYOR BOILER 14 LT, KORBTRANSPORTMASCHINE CHAUDIERE 14 LITRES AVANCEMENT	
11	41525	TUBO MANDATA RISCIAQUO (CRP) PIPE, DELIVERY PIPE FOR RINSE (CRP) ZUFLUSSROHR FÜR NACHSPÜLEN (CRP) TUYAU REFOULEMENT RINCAGE (CRP)	
12	75388	BREAK-TANK INOX	
13	CDO134CR	DADO OT 3/4 CROMATO NUT, BRASS 3/4 CHROM.-PLATED SCHRAUBENMUTTER, MESSING 3/4 VERCHR. ECROU LAITON 3/4 CHROME	
14	984005	GRUPPO CAMPANA PRESSOST.35/40 PRESSURE SWITCH BELL 35/40 GLOCKE, DRUCKSCHALTER 35/40 ENS.BOITE PRESSOSTAT 35/40	
15	035031	RACCORDO A "Y" PRESSOSTATO 760 UNION, Y-TYPE, PRESSURE SWITCH 760 Y-VERBINDUNGSST., DRUCKSCHALTER 760 RACCORD A "Y" PRESSOSTAT 760	
16	224006	PRESSOSTATO 115/15 LAV.(761.263) PRESSURE SWITCH 115/15 WASH.(761.263) DRUCKSCHALTER 115/15 SPÜL.(761.263) PRESSOSTAT 115/15 FONCT.(761.263)	
17	926049	PRESSOSTATO 761999 180-70 PRESSURE SWITCH 761999 180-70 DRUCKSCHALTER 761999 180-70 PRESSOSTAT 761999 180-70	

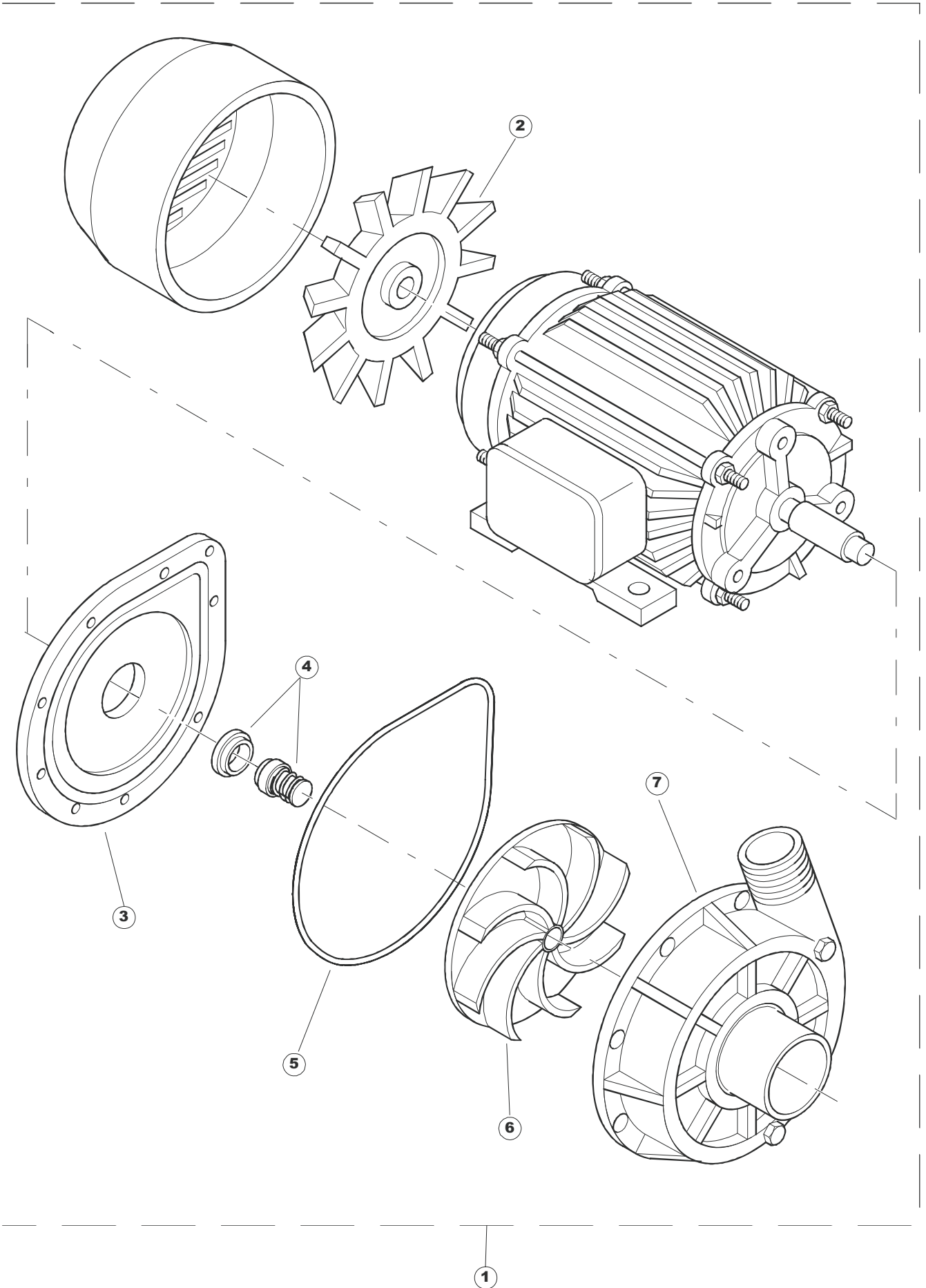
18	41059	PARASPRUZZI PER BREAK-TANK U61.. SPLASHGUARD FOR BREAK-TANK U61.. SPRITZBLECH FÜR BREAK-TANK U61.. ANTIECLABOUSS. POUR BREAK-TANK U61..	
19	437025	GUARNIZIONE D27D35S1.5 FIBRA GASKET, D27D35S1.5 FIBRE DICHTUNG, D27D35S1.5 FASERSTOFF JOINT D27D35S1.5 FIBRE	
20	429036	GHIERA PER PIPA SCARICO 11 RING NUT, FOR DRAIN PIPE 11 GEWINDERING, FÜR ABLAUFFITTING 11 BAGUE POUR TUYAU DE VIDANGE 11	
21	75624	MANICOTTO	
22	929167	ELETTROPOMPA 0,10HP 220/240-50 2211 CL.F ELECTR.PUMP 0,10HP 220/240-50 2211 CL.F ELEKTROPUMPE 0,10HP 220/240-50 2211 KL.F ELECTROPOMPE 0,10HP 220/240-50 2211 CL.F	
23	230020C	KIT RESISTENZA REB230020 (8KW) KIT, RESISTANCE REB230020 (8KW) KIT, WIDERSTAND REB230020 (8KW) KIT RESISTANCE REB230020 (8KW)	
24	69870	PROTEZIONE RESISTENZA BOILER BOILER HEATING ELEMENT PROTECTION HEIZUNGSSCHUETZ DES WARMWASSERBEREITERS PROTECTION RESISTANCE BOILER	
25	230083C	KIT RESISTENZA REB230083 (6KW) KIT, RESISTANCE REB230083 (6KW) KIT, WIDERSTAND REB230083 (6KW) KIT RESISTANCE REB230083 (6KW)	
26	80398C	RESISTENZA B. 9500W 230V RIVER 82/83 RESISTANCE, B. 9500W 230V RIVER 82/83 WIDERSTAND, B. 9500W 230V RIVER 82/83 RESISTANCE CH. 9500W 230V RIVER 82/83	
27	926053	TAPPO/FLANGIA CIECA 170880543 CAP/FLANGE BLIND 170880543 PFROPFEN/FLANSCH BLIND 170880543 BOUCHON/BRIDE BORGNE 170880543	
28	240016	VALVOLA DI CARICO 1VIA 3/4 230V PARZ.16L LOADING S.VALVE 1-WAY 3/4 230V PART.16L ZUFLUSSVENTIL 1-WEG 3/4 230V DROSS.16L SOUPAPE DE CHARG. 1VOIE 3/4 230V PARZ.16L	
35	75976	PARZIALIZZATORE INGRESSO DA 10L/MINUTO FLOW REDUCER VERMINDER REDUCER	
40	143222	TUBO BLUE D10 A NORMA WRAS PIPE, BLUE D10 ACCORD. TO WRAS ROHR, BLAU D10 i.S. WRAS TUYAU BLEU D10 SELON WRAS	



# Pagina 5

1	75155	RACCORDO LAVAGGIO ESTERNO TRAINO UNION, WASH.OUTS. RACK CONVEYOR VERBINDUNGSST., AUSS. SPÜL. KORBTR. RACCORD LAVAGE EXTERIEUR AVANCEMENT	
2	437050	GUARN.GOMITO PORTAGOMMA MOD 22 GASKET, ELBOW RUBBER-HOLDER MOD 22 DICHTUNG, KNIESTÜCK SCHLAUCHTÜLLE MOD 22 JOINT COUDE PORTE-CAOUTCHOUC MOD 22	
3	75154	MANICOTTO MANDTA LAVAGGIO TRAINO SLEEVE, WASH. DELIVERY FOR RACK CONVEYOR MUFFE, SPÜL.VERSORGUNG FÜR KORBTRANSPORTM. MANCHON REFOUL. LAVAGE AVANCEMENT	
4	75169	ATTACCO LANCIA SUPERIORE COMPLETO UNION, UPPER WASH-ARM ASSB. VERBIND., OB. LANZE KOMPL. FIXATION RAMPE SUP. COMPLETE	
5	75616	BRACCIO LAVAGGIO WASH ARM SPUELARM	
6	75171	ATTACCO LANCIA INFERIORE COMPLETO UNION, LOWER WASH-ARM ASSB. VERBIND., UNT. LANZE KOMPL. FIXATION RAMPE INF. COMPLETE	
7	75165	TUBO MANDATA LAVAGGIO TRAINO PIPE, DELIVERY PIPE FOR HOOD-TYPE WASHING ZUFLUSSROHR FÜR SPÜLEN / KORBTRANSP. TUYAU REFOULEMENT LAVAGE AVANCEMENT	
8	80187	MANICOTTO MANDATA POMPA RIVER 82/83 SLEEVE, PUMP DELIVERY RIVER 82/83 MUFFE, ZUFUHR PUMPE RIVER 82/83 MANCHON REFOUL. POMPE RIVER 82/83	
9	75175	EL.P 1,1 KW 230/400-240/415 50 422512725 MOTORPUMP 1,1 KW 230/400-240/415 50 422512725 ELEKTROPUMPE 1,1 KW 230/400-240/415 50 422512725 EL.P 1,1 KW 230/400-240/415 50 422512725	
10	926056	GOMITO GOMMA ASPIRAZIONE POMPA 120/140 ELBOW, RUBBER, EXHAUST. PUMP 120/140 KNIESTÜCK, GUMMI, ABSAUG.PUMPE 120/140 COUDE CAOUTCHOUC ASPIRATION POMPE 120/140	
11	929165	TRONCHETTO INOX D60 MM.92 (DIS.60507) STUB PIPE, INOX D60 MM.92 (DWG.60507) STUTZEN, INOX D60 MM.92 (ZEICHN.60507) TRONC INOX D60 MM.92 (DESS.60507)	
12	929164	GOMITO IN GOMMA P2703 SAIAG ELBOW, RUBBER P2703 SAIAG KNIESTÜCK, GUMMI P2703 SAIAG COUDE EN CAOUTCHOUC P2703 SAIAG	





## Pagina 6

1	75175	EL.P 1,1 KW 230/400-240/415 50 422512725 MOTORPUMP 1,1 KW 230/400-240/415 50 422512725 ELEKTROPUMPE 1,1 KW 230/400-240/415 50 422512725 EL.P 1,1 KW 230/400-240/415 50 422512725	
2	335003	VENTOLA 1295/2277 FAN 1295/2277 GEBL. 1295/2277 VENT. 1295/2277	
3	80880	FLANGIA PER ELETTROPOMPA 4225/2 ELECTROPUMP FLANGE 4225/2 FLANSCH FUER MOTOPOMPE 4225/2 BRIDE POUR MOTOPOMPE 4225/2	
4	141002	TENUTA MECCANICA ROTANTE D 12 SEAL, MECH., REVOLVING D 12 DICHTUNG, MECH., ROTIER. D 12 JOINT MECANIQUE PIVOTANT 12	
5	456023	OR FIR 1225-41-95 O-ring FIR 1225-41-95 O-Ring FIR 1225-41-95 OR FIR 1225-41-95	
6	80881	GIRANTE EL. POMPA (TIPO 422512725) ELECTR.PUMP IMPELLER (TYPE 422512725) LAUFRAD ELEKTROPUMPE (TYP 422512725) ROUE ELECTROPOMPE (TYPE 422512725)	
7	80882	CHIOCC EL.POMPA 4225/2 1295303/B C/TAPPO	