

## CONTENTS

<b>CHAP. 1 INTRODUCTION .....</b>	<b>3</b>
<b>CHAP.2 INSTALLATION .....</b>	<b>3</b>
2.1 HANDLING AND UNPACKING .....	3
2.2 ELECTRICAL CONNECTION .....	4
2.3 WATER CONNECTION.....	4
2.4 CONNECTION TO THE DRAIN LINE .....	5
2.5 ADJUSTMENTS AND CHECKS.....	5
2.6 RINSE-AID DISPENSER.....	5
2.7 DETERGENT.....	6
<b>CHAP.3 SAFETY RECOMMENDATIONS.....</b>	<b>6</b>
3.1 RESIDUAL RISKS AND WARNINGS .....	6
3.2 SAFETY FEATURES .....	7
<b>CHAP. 4 USE OF MACHINE.....</b>	<b>8</b>
4.1 DESCRIPTION OF THE COMMANDS.....	8
4.1.1 AUTOMATIC WATER DRAINAGE (OPTIONAL) .....	8
4.2 USE OF THE MACHINE .....	10
4.3 FINAL OPERATIONS .....	10
<b>CHAP. 5 MAINTENANCE .....</b>	<b>11</b>
5.1 GENERAL RULES .....	11
5.2 PERIODIC MAINTENANCE (to be done at least every 20 days) .....	12
<b>CHAP. 6 RECYCLING AND DISPOSAL .....</b>	<b>12</b>
6.1 DISPOSAL THE MACHINE.....	12

---



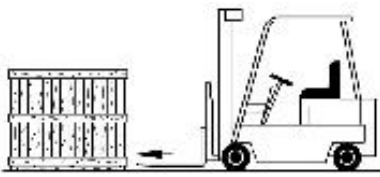
## CHAP. 1 INTRODUCTION

The warnings contained in this manual provide important information for safely installing, using and servicing this machine.

The operator is required to read this manual before starting any operation involving handling, installation, use, maintenance or disassembly of the machine. This manual must be kept intact and in a safe place for frequent consultation.

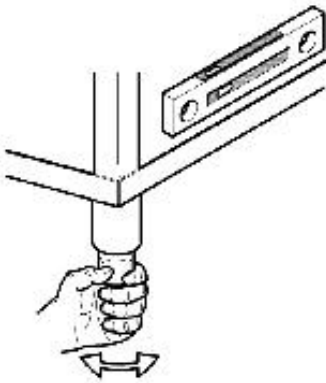
## CHAP.2 INSTALLATION

### 2.1 HANDLING AND UNPACKING



- Move the machine very carefully using a forklift.
- Make sure the equipment is not damaged, if it is immediately inform the dealer and shipper. If in doubt do not use the machine until it has been checked by professionally trained personnel.
- Move the machine to the site where it will be used and remove the packing.

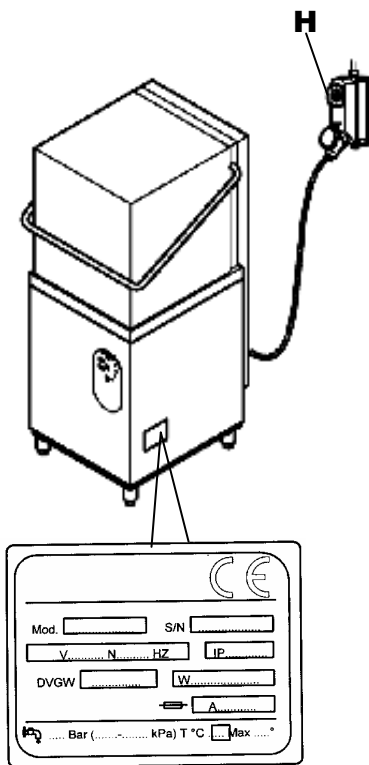
**Packing materials (plastic bags, polystyrene, nails) can be dangerous and must be kept out of the reach of children.**



- The installation must be carried out according to the manufacturer's instructions and by professionally trained personnel.
  - Only a fixed connection is suitable for this equipment.
  - Position the machine and level it perfectly using the feet.
  - The flooring must be suitable for the overall weight of the machine.
  - Follow the indications on the installation drawing and set-up the electrical, water and drain systems in the wash area.
-



## 2.2 ELECTRICAL CONNECTION



1. Connection to the power supply must be made with a main switch (H) it must be omnipolar and interrupt all contacts including neutral. There must be a distance of at least 3 mm between open contacts, and it must have a thermal magnetic safety switch or fuses which are able to withstand the maximum power indicated on the plate.
2. Make sure that the power supply corresponds to that on the technical features plate on the right side of the machine.
3. Use an effective earthing system in compliance with local laws to protect the safety of the operators and not damage the machine.
4. Do not use adapters, multiple sockets or extension cords.
5. The equipment must be included in an equipotential system, and connected using a screw marked with the symbol. The equipotential wire must be 10 mm<sup>2</sup>.



If the power supply cable (provided with the equipment) needs to be replaced use another H07RN-F type with the same dimensions.

For additional information see the wiring drawing.

## 2.3 WATER CONNECTION

Set-up the site according the attached plumbing drawing.

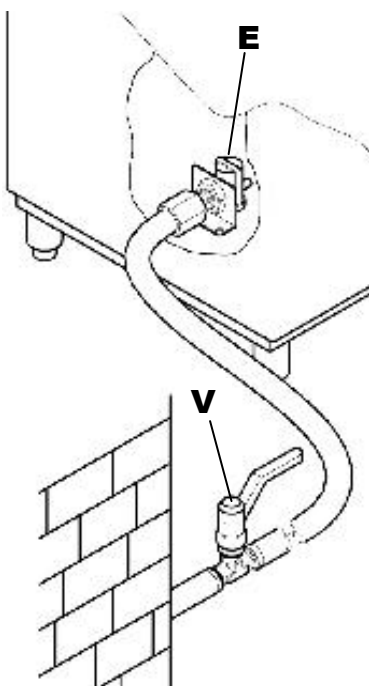
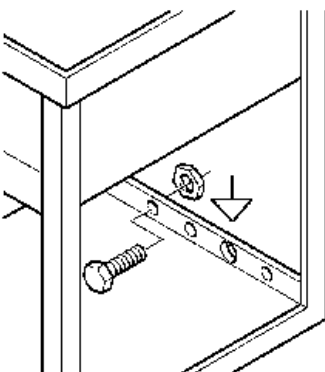
Before connecting the equipment make sure that a gate valve has been placed between the water supply and the equipment so that the water can be turned off if required or for repair work.

Use a hose to connect the solenoid valve (E) to the gate valve (V) and make sure that the delivery is not less than 20l/min.

**Check that the temperature and water pressure correspond to what is shown on the technical specifications plate.**

If the water is harder than what is listed in the chart, it is advisable to install a decalcifier upline from the solenoid valve.

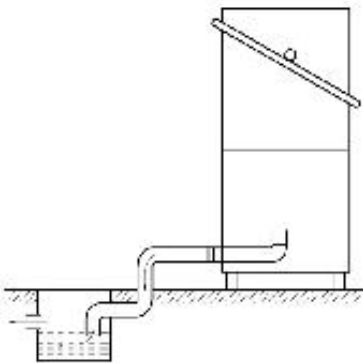
If there are high concentrations of very conductive minerals in the water, it is advisable to install a demineralization system calibrated to the hardness shown in the following chart.



	<b>Specification</b>		<b>From</b>	<b>To</b>
Hardness	French degrees	f	5	10
	German degrees	°dH	4	7'5
	English degrees	°e	5	9,5
	Parts per million	ppm	70	140
Residual Minerals	Maximum	mg/l	300/400	



**2.4 CONNECTION TO THE DRAIN LINE**



The tank empties by gravity, so the drain needs to be situated below the base of the machine.

The drain pipe needs to be connected to a drain- trap built into the floor.

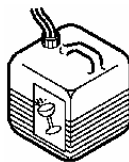
The drain dimensions are shown in the installation drawing.

**2.5 ADJUSTMENTS AND CHECKS**



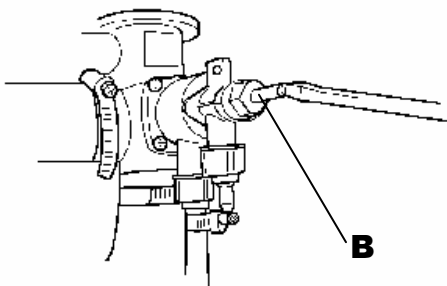
The temperature of the wash tank is regulated by a fixed thermostat at about 55° C. This temperature ensures proper action by the chemicals contained in industrial dishwashing detergents.

The boiler temperature set by a fixed thermostat is about 85° C.



**2.6 RINSE-AID DISPENSER**

To adjust use the ring nut (B) situated at the center of the dispenser, rotating clockwise reduces the quantity, counterclockwise increases it.



**The dispenser must not operate empty**

An excessive amount of rinse agent causes bluish stripes on the dishes and creates foam in the wash tank.

If the glassware is covered with droplets of water and it dries rather slowly this means that the amount of rinse agent is insufficient.

**7 cm. of tubing = 1 gram of product**



## 2.7 DETERGENT

### Equipment without a detergent dispenser

Put the amount of detergent recommended by the manufacturer into the tank. Depending on the type of detergent this may vary from 2 to 4 gr/lit of water in the tank. Detergent needs to be added approximately every 5 washes as per the manufacturer's instructions.

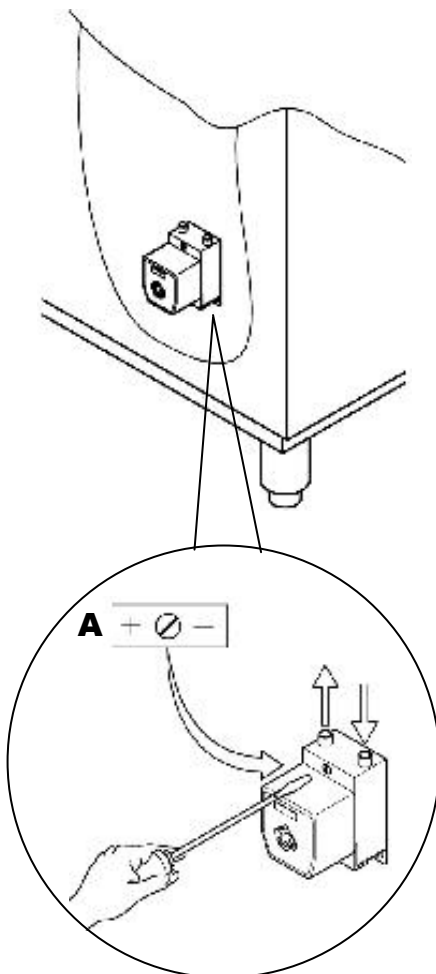
The above amounts are for water with a hardness of 5-10°F (French degrees).

### Machine equipped with detergent dispenser (optional)

#### Regulations:

A trimmer (A) allows to determine the «ON-OFF» time and consequently the amount of detergent required.

- Turning the adjustment trimmer clockwise or counter-clockwise will respectively decrease or increase the amount of rinse aid it delivers.
- To optimise the calibration, evaluate the results of some washing cycles.



#### BE CAREFUL!

The level in detergent tank must not get empty or filled with corrosive or inadequate products.

The warranty does not cover damages caused by an improper use of dispenser.

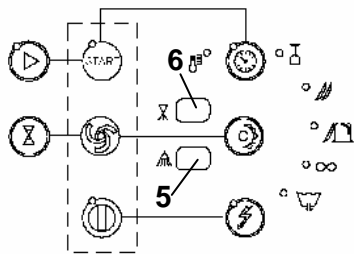
## CHAP.3 SAFETY RECOMMENDATIONS



### 3.1 RESIDUAL RISKS AND WARNINGS

- Do not slam the door open unless the cycle has terminated.
- Do not immerse your hands in the washing solution.
- Do not remove any of the appliance's panels without having unplugged the machine first.
- The personnel installing and connecting the appliance must also provide the user with adequate training concerning the operation of the appliance and all safety rules to be observed.
- The technician must also provide the user with practical demonstrations on how to use the appliance, and provide him/her with all written instructions supplied with appliance.
- **The appliance must only be used to perform those operations for which it was exclusively designed. Any other use is to be considered inappropriate and therefore dangerous.**
- Do not use this appliance without the protections (micro-switches, panels, or other) fitted by the manufacturer.
- Any repair operation must be carried out by the manufacturer or by an authorised service centre, using original spare parts only.

- Failure to comply with the above, may compromise the safety of the appliance.
  - The appliance must not remain plugged into the mains when not in use.
  - Use the special baskets for dishes and glasses.
  - Do not leave the appliance exposed to the elements.
  - Do not start the appliance if not correctly plugged into the mains and complying with the safety specifications, i.e. voltage, frequency and fuse cut-off as specified on the plate.
  - The technician must check the efficiency of all earth connections.
  - The technician must provide the customer with a writ declaring that the appliance has been installed and tested by the book and in compliance with all rules.
1. Do not start the washing cycle without the filter or the overflow cap.
  2. Before emptying the appliance, remember to cut-off the power supply.
  3. Do not let magnetic objects near the appliance as these may set it off, even with the door open.
  4. Do not use the door as a resting surface.
  5. Do not clean the appliance using direct water jets.
  6. The appliance cannot be used by unauthorised or unsuitably trained personnel, or by anyone who cannot be given proper instructions.
  7. Do not leave the appliance plugged into the mains when not in use.
  8. In the event of a malfunction, or in the presence of leaks, switch off the appliance immediately



**3.2 SAFETY FEATURES**

The board can recognize various breakdowns.

Faults are easily seen from the messages on the screen (5 and 6) and from any interruption of the operations in progress only in cases (1 and 3) listed below

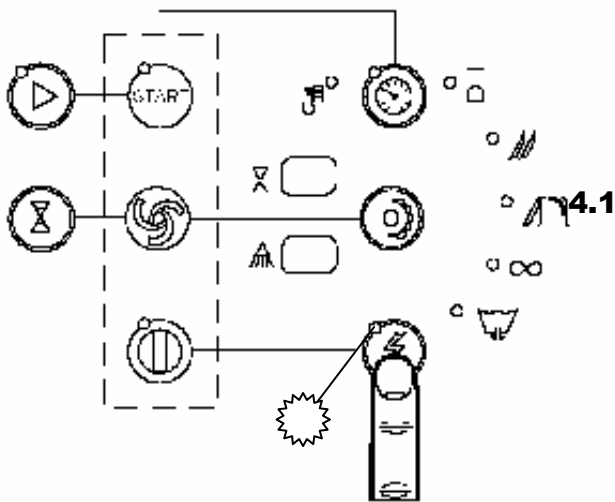
**WARNING!** Turning the machine off and then on again resets the warning, which will appear again if the problem has not been resolved.

		Display on the Message	
	<b>PROBLEM:</b>	<b>Boiler (6)</b>	<b>Tank (5)</b>
<b>1</b>	<b>TANK NOT FILLED OR OVERFILLED</b> (if ≥10 min have elapsed, correct level of water has not been reached in the tank)	Er	04
<b>2</b>	<b>BOILER PROBE FAILURE</b> (if the probe is not connected correctly or damaged) (if the probe is short circuited or damaged)	Er Er	07 08
<b>3</b>	<b>OVERTEMPERATURE</b> (excessive boiler and tank temperature) (intervention safety thermostat)	HI SA	HI FE
<b>4</b>	<b>RINSE</b> (Rinse not effected) (Insufficient rinse pressure) (Excessive rinse pressure)	Er Pp Pp	01 01 02
<b>5</b>	<b>TANK PROBE FAILURE</b> (if the probe is not connected correctly or damaged) (if the probe is short circuited or damaged)	Er Er	05 06



6	<p align="center"><b>BOILER</b> (Boiler resistor failure) (Heating overtime)</p>	Er	03
7	<p align="center"><b>MAXIMUM SAFETY LEVEL</b></p> <p>(The message appears when the water in the tank reaches a maximum safety level beyond which overflow could occur. The machine therefore blocks all functions and activates the drain motor pump). Turn the machine off and on. <b>If the problem persists, contact a service centre.</b></p>	SA	EL
8	<p align="center"><b>DRAIN FAULT.</b></p> <p>The message appears when there is a problem with the drain motor pump and/or with the drain ducts. Turn the machine off and on. If the problem persists, contact a service centre. <b>Note: The machine allows wash and rinse cycles to be performed as long as the maximum safety level is not reached, and in that case the SAFL message is displayed.</b></p>	Er	02

1

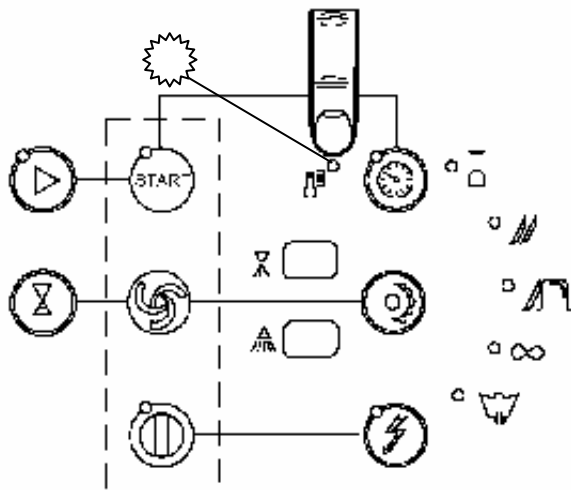


**Chap. 4 USE OF MACHINE**

**DESCRIPTION OF THE COMMANDS**

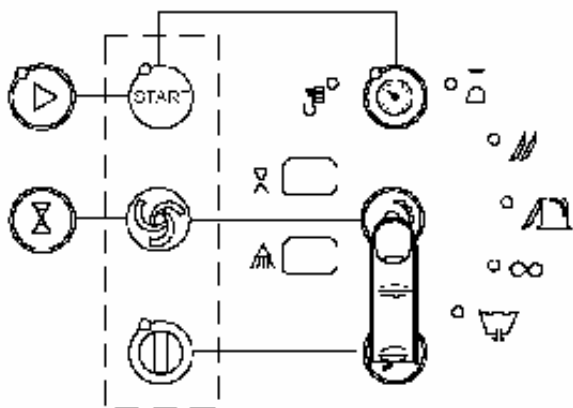
1. To turn the machine on, press the button indicated at left/right (the corresponding warning light will light up).

2



2. The machine is ready to use when the light comes on.

3



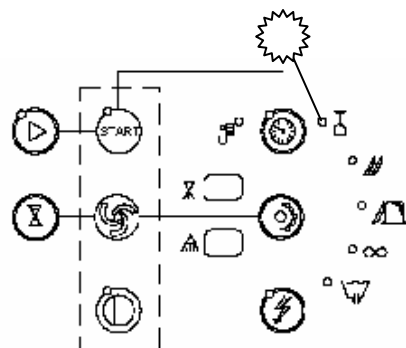
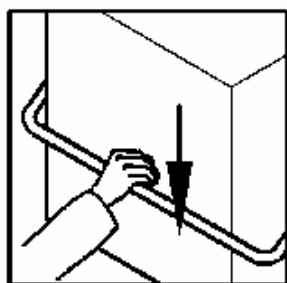
3. Press the button indicated at right/left to select the cycle.



The light that corresponds to the type of product lights up.

**NB: choose the "∞" for longer wash cycles.**

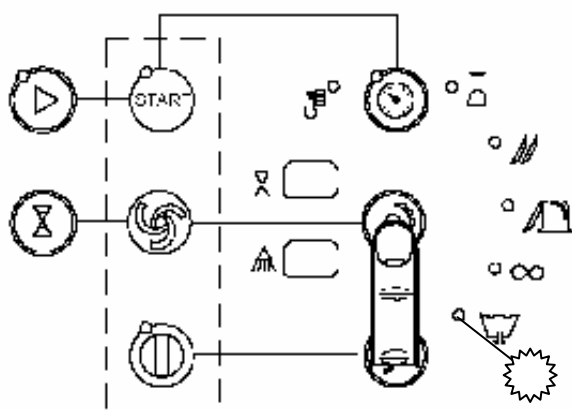
4



4. Press the button indicated at left/right and close the door, the machine will start automatically. For subsequent wash cycles just close the hood.

**NB: press the button to interrupt the "∞" cycle (repeat sequence 3 for new wash programs).**

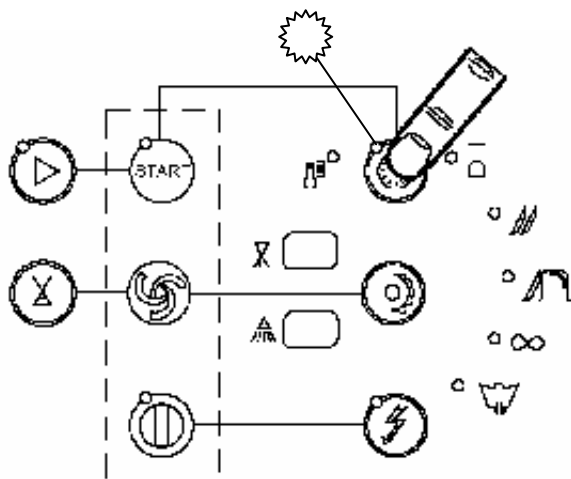
1



**4.1.1 Automatic water drainage (optional)**

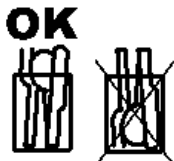
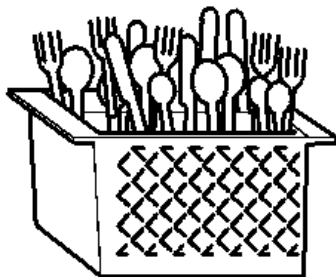
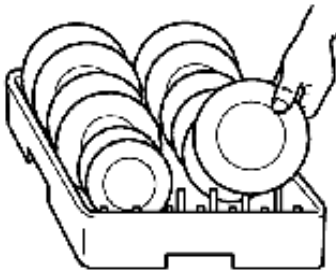
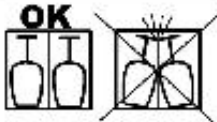
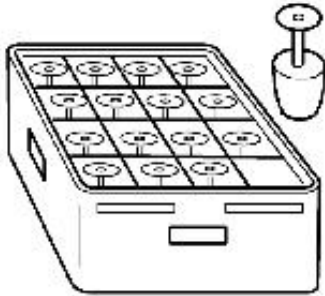
1. Press the button indicated at left/right and select the drainage programme (the corresponding warning light will light up)

2



2. Press the button indicated at left/right and the machine will automatically drain the water out of the machine.

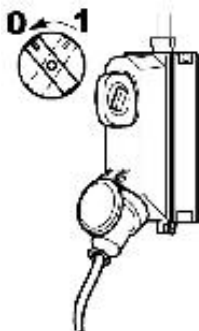
## 4.2 USE OF THE MACHINE



- Pour the proper amount of detergent in the wash tank according to the producer's instructions.
- **The detergent must be the industrial type or possibly foamless.**
- Never put your bare hands in the wash water; place the cups and the glasses upside down in the baskets. Place the dishes in the proper basket with support pins and their inner surface must be facing up.
- Place the silverware and the coffee spoons with the handles facing down.
- Never place silverware and stainless steel cutlery in the same basket. This could cause the silver to burnish and the stainless steel to corrode.
- Use the proper baskets specifically designed for the different type of glassware (dishes, glasses, cups, silverware etc.). To save on detergent and electricity only wash when the baskets are full, but do not overload them. Avoid stacking glassware.

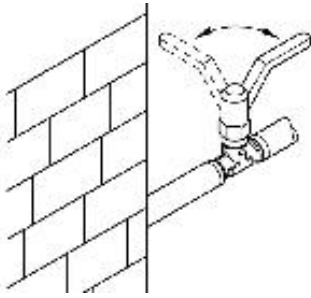
- **WE RECOMMEND TO PRE-CLEAN** the glassware in order to minimize maintenance. The quality of final wash results will be greatly improved by first removing food particles, lemon peels, toothpicks, olive pits, etc. which could partially clog the pump filter and impair washing efficiency.

**We recommend washing the glassware before food particles dry on its surface. It is good practice, when dried food waste is involved, to first soak the glassware and silverware before introducing them into the machine.**

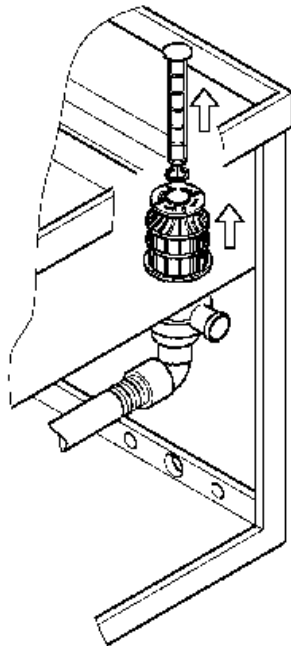


## 4.3 FINAL OPERATIONS

- Remove tension from the machine.
- Lift the hood and extract the rack clean dishes.



- Drain the water from the tank by lifting the overflow-pipe. For the model with drain pump please follow the operations described in the «Use instructions» paragraph.



- Disconnect the main switch of the equipment.
- Close the «rolling shutter valve» for the hydraulic connection.
- Remove the filters clean them under a water jet with a nylon brush.
- Pay attention not to let any dirtiness rests on the bottom of the drain pump filter inside the tank. Clean the tank with a moderate water jet. Wash outside surfaces when are cold with non-abrasive products which are especially studied for steel maintenance.

**REMARK:** Do not wash the equipment with direct jet or at another pressure because eventual infiltrations to the electric components may harm the regular working of the equipment or of the single safety systems, and penalty for this would be the loss of guarantee.

## CHAP. 5 MAINTENANCE

### 5.1 GENERAL RULES

The machine are designed to reduce maintenance requirements. It is necessary to observe the following rules to make the machine last long, and work without problems.

In any case, it is necessary to observe the following rules to make the machine stay in perfect working order:

- keep the machine clean and in good condition
- avoid making temporary or urgent repairs frequently

It is very important to observe the maintenance directions; check all the different parts of the machine periodically, so that no anomaly can occur, thus anticipating the time and equipment needed for any maintenance work.

**Before cleaning turn off the power.**

## 5.2 PERIODIC MAINTENANCE (to be done at least every 20 days)

To make operations following easier, the rack-holder frame can be removed from its seat.

- Remove the upper and lower rinse arms, by unscrewing the fastening.
- Unscrew and clean all the sprayers and put them back in their place.
- Remove the upper and lower wash-arms by unscrewing the rinse pin , clean and rinse them.
- Remove the wash pump filter, clean it and rinse it.
- Thoroughly clean the wash tank.
- Leave the appliance lid open for the whole resting period.
- Lime deposits and scale will build up on the inner surfaces of the boiler, tank and pipelines due to calcium and magnesium salts present in the water. These scales and deposits can prejudice proper appliance operation.
- The appliance must be periodically descaled and we recommend that this must be done by an expert.
- Grease steel surfaces with vaseline oil whenever the appliance will be inactive for a long period of time.
- Have an expert drain all the water out from the boiler and the wash pump to avoid the danger of ice formation.
- **If the machine does not operate properly or in case of trouble, call a service center authorized by the manufacturer of the appliance or by his Dealer.**



## CHAP. 6 RECYCLING AND DISPOSAL

### 6.1 DISPOSAL THE MACHINE

Our machines are not made of materials that require particular disposal procedures.

---

## INHALT

<b>KAP. 1 VORWORT</b> .....	<b>15</b>
<b>KAP.2 INSTALLATION</b> .....	<b>15</b>
2.1 BEFÖRDERUNG UND AUSPACKEN .....	15
2.2 STROMANSCHLUSS .....	16
2.3 WASSERANSCHLUSS .....	16
2.4 ANSCHLUSS AN DIE ABLAUFLEITUNG .....	17
2.5 EINSTELLUNGEN UND KONTROLLEN .....	17
2.6 DOSIERER DES KLARSPÜLERS.....	17
2.7 SPÜLMITTEL.....	18
<b>KAP.3 SICHERHEITSHINWEISE</b> .....	<b>18</b>
3.1 EVENTUELLE GEFAHREN UND WARNHINWEISE.....	18
3.2 SICHERHEITSVORRICHTUNGEN.....	19
<b>KAP.4 BETRIEB DER MASCHINE</b> .....	<b>20</b>
4.1 BESCHREIBUNG DER BEDIENUNG.....	20
4.1.1 AUTOMATISCHER ABFLUSS DES SPÜLWASSERS (AUF WUNSCH) .....	20
4.2 BEDIENUNGSANLEITUNG.....	22
4.3 Tätigkeiten bei Ende des Spülganges.....	22
<b>KAP. 5 WARTUNG</b> .....	<b>23</b>
5.1 ALLGEMEINE VORSCHRIFTEN .....	23
5.2 REGELMÄSSIGE WARTUNG ( mindestens alle 20 Tage).....	24
<b>KAP. 6 ABBAU</b> .....	<b>24</b>
6.1 ABBAU DER MASCHINE.....	24

---



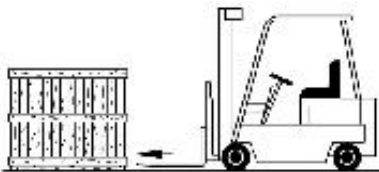
## KAP. 1 VORWORT

Die in diesem Handbuch enthaltenen Vorschriften geben wichtige Hinweise zur Sicherheit der verschiedenen Phasen: Installation, Bedienung und Wartung.

Das Bedienungspersonal hat die obligatorische Pflicht, das vorliegende Handbuch zu konsultieren, bevor die Maschine bewegt, installiert, benutzt, gewartet oder außer Betrieb gesetzt wird. Das Handbuch muss deshalb in vollständigem Zustand aufbewahrt werden und eventuell sind Kopien für die laufende Benützung bereitzuhalten.

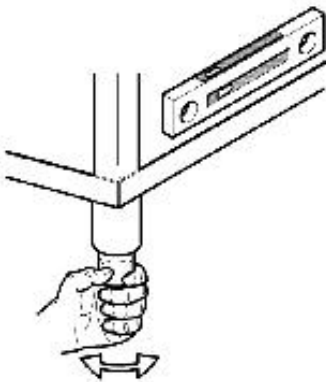
## KAP.2 INSTALLATION

### 2.1 BEFÖRDERUNG UND AUSPACKEN



- Die Beförderung muss mit äußerster Sorgfalt mittels Hubstapler erfolgen.
- Zustand der Maschine kontrollieren; im Falle sichtbarer Beschädigungen umgehend den Verkäufer und den Spediteur, der den Transport durchgeführt hat, informieren. Im Zweifelsfall die Maschine nicht benützen, bevor sie nicht von Fachpersonal überprüft wurde.
- Die Maschine an die zur Installation vorgesehene Stelle transportieren und von der Verpackung befreien.

**Die Verpackungselemente (Plastiksäcke, Polystyrol, Nägel, etc.) dürfen nicht für Kinder erreichbar sein, da sie eine potentielle Gefahr darstellen.**

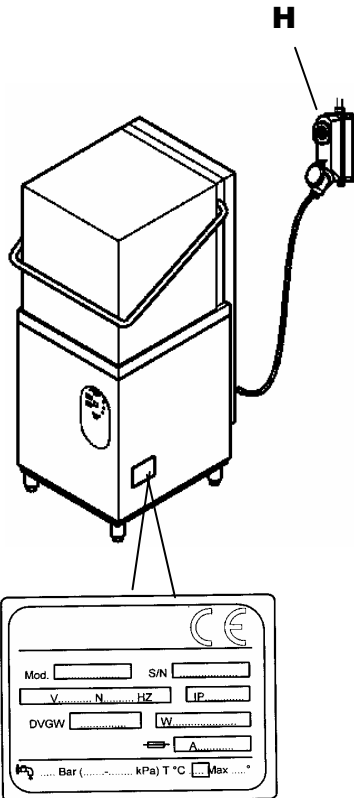



- Die Installation muss nach Anleitung des Herstellers von qualifiziertem Fachpersonal durchgeführt werden.
- Dieser Apparat ist nur für einen festen Anschluss geeignet..
- Die Maschine in die richtige Position bringen und perfekt ausbalancieren, indem man die entsprechenden Füßchen reguliert.
- Der vorgesehene Bodenbelag muss dem Gesamtgewicht der Maschine entsprechend beschaffen sein.
- Unter Einhaltung der Hinweise auf dem Installationsplan sind die Strom- und Wasserversorgung, sowie die Abflussanlage vorzubereiten.





## 2.2 STROMANSCHLUSS



1. Der Netzanschluß muss mit einem Hauptschalter (H) für alle Pole versehen sein, so dass er alle Kontakte – einschließlich der Erdleitung - unterbricht; Mindestabstand von 3 mm zwischen offenen Kontakten; mit thermomagnetischer Auslösung oder verbunden mit Schmelzsicherungen, die in der Lage sind, die angegebene Höchststromstärke auszuhalten.
2. Sicherstellen, dass die Spannung und Frequenz des Stromnetzes den Angaben des Schildes auf der rechten Seite der Maschine entsprechen.
3. Eine fachgerechte Erdung, wie sie von den geltenden Unfallverhütungsvorschriften vorgegeben wird, stellt eine Garantie für die Sicherheit des Bedienungspersonals und der Maschine dar.
4. Die Verwendung von Zwischensteckern, Mehrfachsteckern und Verlängerungskabeln ist ausdrücklich untersagt.
5. Außerdem muss das Gerät in ein Äquipotentialsystem eingebaut werden, dessen Verbindung durch eine mit dem Symbol gekennzeichnete Schraube ausgeführt ist.   
Der Äquipotentialleiter muss einen Querschnitt von 10 mm<sup>2</sup> haben.



Das mitgelieferte Versorgungskabel darf nur durch eines mit gleichem Querschnitt vom Typ H07RNF ersetzt werden.

Für weitere Informationen das beiliegende Schaltbild beachten.

## 2.3 WASSERANSCHLUSS

Den Aufstellungsort gemäß beliegendem hydraulischem Schema vorbereiten.

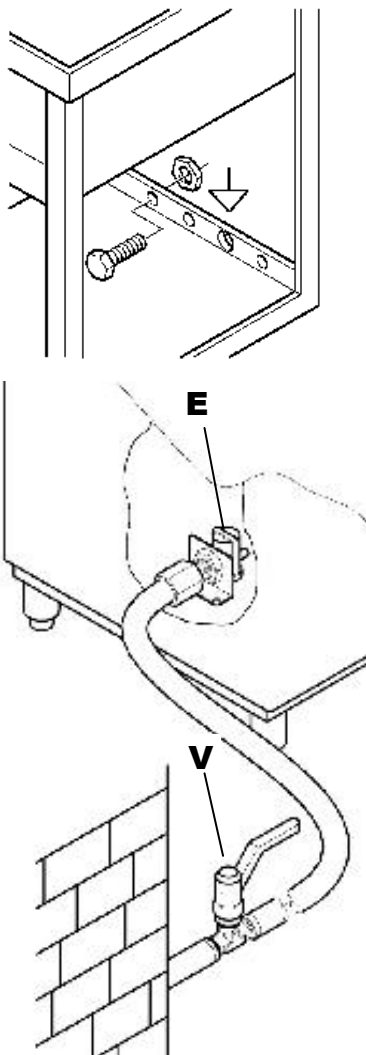
Bevor das Gerät angeschlossen wird, sicherstellen, dass zwischen Wasserversorgungsnetz und Gerät ein Absperrschieber montiert wurde, das es ermöglicht, im Notfall oder bei Reparaturen die Wasserzufuhr zu unterbrechen.

Mit dem mitgelieferten Schlauch das Elektroventil (E) mit dem Absperrschieber (V) verbinden; sich vergewissern, dass der Wasserzufluss nicht weniger als 20 Lt/Min. beträgt.

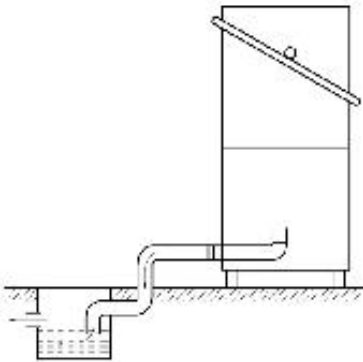
**Sich vergewissern, dass Wassertemperatur und Zufuhrdruck den auf dem Leistungsschild angeführten Daten entsprechen.**

Sollte die Wasserhärte höher als die auf der Richttabelle angegebene sein, empfehlen wir den Einbau eines Entkalkers oberhalb des Elektroventils der Wasserzufuhr der Maschine.

Im Falle sehr hoher Mineralrückstandskonzentration im Wasser schlagen wir den Einbau einer Entmineralisierungsanlage vor, um die auf der Tabelle vorgeschriebene Härte zu erreichen.



	Eigenschaften		von	bis
Härte	Französische Grade	f	5	10
	Deutsche Grade	°dH	4	7,5
	Englische Grade	°e	5	9,5
	Anteile pro Million	ppm	70	140
Mineralrückstände	Maximal	mg/l	300/400	



## 2.4 ANSCHLUSS AN DIE ABLAUFLEITUNG

Da die Wanne durch die Wirkung der Schwerkraft geleert wird, muss sich der Abfluss unterhalb der Maschine befinden.

Das Abflussendstück muss mittels Schlauch an ein Senkloch oder ein Saugheberbecken im Fußboden angeschlossen werden.

Die Ausmaße des Maschinenablaufs sind auf dem Installationsplan angeführt.



## 2.5 EINSTELLUNGEN UND KONTROLLEN



Die Temperatur in der Waschwanne ist auf etwa 55°C geregelt. Diese Temperatur begünstigt die richtige Nutzung der chemischen Eigenschaften industrieller Reiniger.

Die Boilertemperatur ist auf etwa 85°C geregelt.



## 2.6 DOSIERER DES KLARSPÜLERS

Zur Regulierung wird der zentral am Dosierer angebrachte Ring (B) im Uhrzeigersinn oder gegen den Uhrzeigersinn gedreht, je nachdem, ob die abgegebene Menge reduziert oder erhöht werden soll.

**Die Dosiervorrichtung darf bei Betrieb nie leer sein.**

Eine zu große Menge Klarspüler erzeugt bläuliche Streifen auf dem Geschirr und führt zu Schaumbildung in der Waschwanne der Maschine.

Ist das Geschirr hingegen mit Wassertropfen bedeckt und trocknet nur langsam, so deutet dies darauf hin, dass die Menge an Klarspülmittel unzureichend ist.

**7 cm Schlauch = 1 gr des Produktes**



## 2.7 SPÜLMITTEL

### Maschine ohne Spülmitteldosierer

Spülmittelmenge nach den Angaben des Herstellers in den Behälter füllen. Je nach Art des Spülmittels kann die Menge zwischen 2 bis 4 Gr/Lt Wasser in der Wanne variieren. Das Spülmittel wird ca. alle 5 Waschvorgänge in der vom Lieferanten vorgeschlagenen Menge nachgefüllt.

Die oben angeführten Mengen sind für eine durchschnittliche Wasserhärte von 5-10 °F (französische Grade) vorgesehen.

### Gerät mit Spülmitteldosierer (auf Wunsch)

#### Regulierung

Durch Regulierung des Trimmers (A) wird die Ein- und Ausschaltzeit eingestellt und folglich die Spülmittelmenge geregelt.

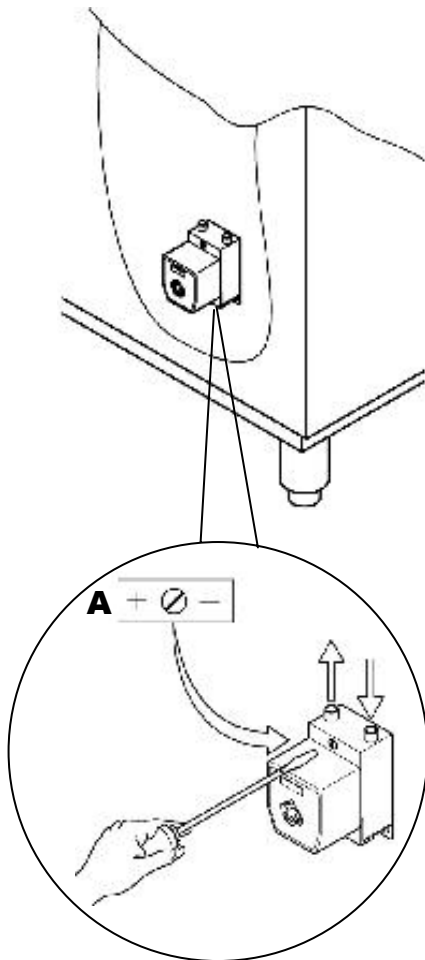
- Der Trimmer wird im Uhrzeigersinn oder entgegengesetzt gedreht, um die abgegebene Spülmittelmenge je nachdem zu verringern oder zu erhöhen.
- Zur endgültigen Regulierung müssen die Ergebnisse mehrerer Waschgänge abgewartet werden.



#### ACHTUNG!

Der Spülmittelbehälter darf nie vollkommen leer sein und nicht mit unreinen oder korrosiven Produkten aufgefüllt werden.

Schäden, die durch falsche Verwendung des Dosierers hervorgerufen werden, sind nicht von der Garantie gedeckt.



## KAP.3 SICHERHEITSHINWEISE



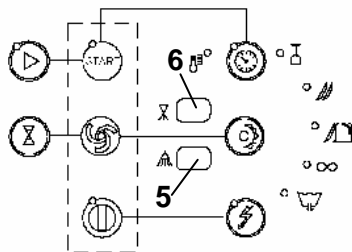
### 3.1 EVENTUELLE GEFAHREN UND WARNHINWEISE

- Solange der Spülzyklus nicht beendet ist, niemals schnell die Haube öffnen.
- Niemals nackte Hände in die Spüllösung tauchen.
- Niemals die Maschinenwände entfernen, wenn nicht vorher die Stromversorgung getrennt wurde.
- Das Installations-Fachpersonal und die Elektriker sind angehalten den Nutzer in angemessener Weise über die Bedienung des Geräts und eventuell zu beachtende Sicherheitsmaßnahmen zu unterrichten.
- Der Installateur muss außerdem praktische Anleitungen zur Maschinenbedienung geben und zusammen mit dem Gerät die entsprechende Bedienungsanleitung übergeben.
- **Dieses Gerät darf nur für den vorgesehenen Zweck verwendet werden, für das es ausdrücklich entwickelt wurde. Jeder andere Einsatz ist ungeeignet und daher gefährlich.**
- Die Maschine niemals ohne die vom Hersteller vorgesehenen Schutzvorrichtungen (Mikroschalter, Schutzwände oder anderes) benutzen.
- Eventuelle Reparaturarbeiten an der Maschine dürfen nur vom Hersteller oder einem autorisierten Kundendienst vorgenommen werden. Dabei müssen ausschließlich Original-Ersatzteile verwendet werden.

- Die Nichtbeachtung der vorstehenden Anweisungen kann die Gerätesicherheit beeinträchtigen.
- Die Maschine darf nicht unter Spannung bleiben, wenn sie nicht benutzt wird.
- Die entsprechenden Körbe für Teller oder Gläser benutzen.
- Die Maschine nicht Witterungseinflüssen aussetzen.
- Die Maschine nicht einschalten, wenn sie nicht richtig an das Strom- und Wassernetz angeschlossen ist. Überprüfen, ob die Angaben auf dem Typenschild zu Spannung, Frequenz, Sicherungsleistung übereinstimmen.
- Der Techniker ist verpflichtet die richtige Erdung zu überprüfen.

Der Techniker ist verpflichtet eine schriftliche Erklärung abzugeben, in der die richtige Installation und normgemäße Abnahme der Maschine bescheinigt wird.

1. Den Spülzyklus niemals einschalten ohne: den Filter und den Filter am Wannen-Überlauf.
2. Vorm Entleeren der Maschine beachten, das die Stromversorgung getrennt wird.
3. Niemals magnetische Gegenstände in die Nähe der Maschine bringen. Sie könnte sich auch bei offener Haube in Betrieb setzen.
4. Die Haube nie als Abstellfläche benutzen.
5. Die Maschine nie mit direktem Wasserstrahl reinigen.
6. Die Maschine darf nicht von Personal benutzt werden, das nicht autorisiert oder entsprechend geschult ist oder nicht geschult werden kann.
7. Beim Entleeren nicht die Spülzyklus starten.
8. Bei Störungen oder Austreten von Wasser aus der Maschine sofort die Maschine ausschalten.





### 3.2 SICHERHEITSVORRICHTUNGEN

Die Karte kann verschiedene Störungssituationen erkennen.

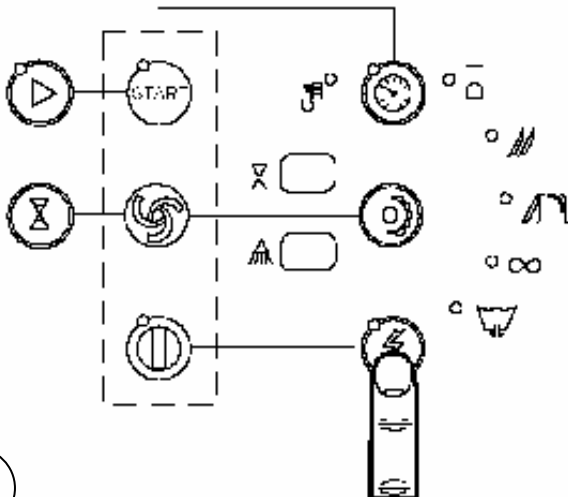
Eventuelle Fehlfunktionen werden durch die Displayanzeigen (5 und 6) und durch die Unterbrechung der eventuell in Betrieb befindlichen Funktionen (Fall 1 und 3 der unten angegebenen Störungen) signalisiert.

**ACHTUNG!** Durch Abschalten und Wiedereinschalten der Maschine wird die Signalfunktion wiederinstandgesetzt. Wenn die Störung in der Zwischenzeit nicht behoben wurde, wird sie von neuem angezeigt.

		Anzeige auf Display	
	<b>AUFGETRETENE FEHLFUNKTION:</b>	<b>Boiler (6)</b> 	<b>Wanne (5)</b> 
<b>1</b>	<b>NICHTERREICHEN DES WASSERPEGELS ODER ÜBERFLIESEN IN WANNE</b> (wenn nach $\geq 10$ Min. nicht der richtige Pegel in der Wanne erreicht ist)	E <sub>P</sub>	04
<b>2</b>	<b>DEFEKT SONDEN BOILER</b> (wenn die Sonde nicht richtig angeschlossen oder beschädigt ist) (wenn die Sonde kurzgeschlossen oder beschädigt ist)	E <sub>P</sub> E <sub>P</sub> E <sub>P</sub>	07 08
<b>3</b>	<b>ÜBERHITZUNG</b> (zu hohe Temperatur Boiler und Wanne) (Sicherheitsthermostat eingeschaltet)	HI SA	HI FE
<b>4</b>	<b>NACHSPÜLEN</b> (Nachspülen ist nicht erfolgt) (Nachspüldruck zu niedrig) (Nachspüldruck zu hoch)	E <sub>P</sub> P <sub>P</sub> P <sub>P</sub>	01 01 02
<b>5</b>	<b>DEFEKT SONDEN WANNE</b> (wenn die Sonde nicht richtig angeschlossen oder beschädigt ist) (wenn die Sonde kurzgeschlossen oder beschädigt ist)	E <sub>P</sub> E <sub>P</sub>	05 06

6	<p style="text-align: center;"><b>BOILER</b></p> <p style="text-align: center;">(Defekt des Boiler-Widerstands) (Aufheizzeit zu lang)</p>	Er	03
7	<p style="text-align: center;"><b>SICHERHEITS-HÖCHSTSTAND</b></p> <p>(Diese Meldung erscheint, wenn das Wasser in der Wanne den Sicherheits-Höchststand erreicht hat. Oberhalb dieses Stands könnte Wasser überlaufen. Deshalb blockiert die Maschine jede Funktion und schaltet die Elektropumpe zum Abpumpen des Wassers ein). Die Maschine ausschalten und wieder einschalten. <b>Bleibt das Problem bestehen, muss der Kundendienst benachrichtigt werden.</b></p>	SA	FL
8	<p style="text-align: center;"><b>AUSFALL ABPUMPEN</b></p> <p>Diese Meldung erscheint, wenn es ein Problem mit der Elektropumpe zum Abpumpen des Wassers oder den Abflussleitungen gibt. Die Maschine ausschalten und wieder einschalten. Bleibt das Problem bestehen, muss der Kundendienst benachrichtigt werden. <b>Anmerkung: Mit der Maschine können aber noch solange Spül- und Nachspülzyklen ausgeführt werden, bis der Sicherheits-Höchststand erreicht ist. Anschließend wird die Meldung SAFL angezeigt.</b></p>	Er	02

1

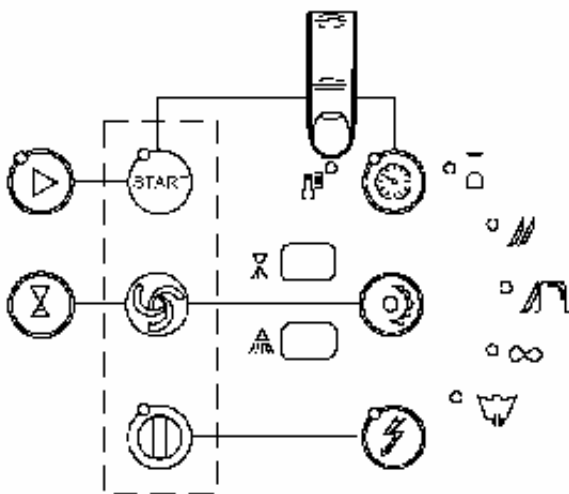


## KAP.4 BETRIEB DER MASCHINE

### 4.1 BESCHREIBUNG DER BEDIENUNG

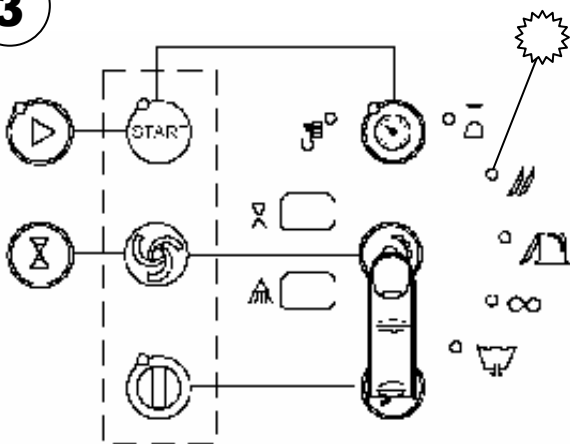
1. Zum Einschalten der Maschine seitlich angezeigte Taste drücken (die entsprechende Kontrollleuchte schaltet sich ein).

2



2. Wenn das Lämpchen leuchtet, ist die Maschine betriebsbereit.

3



3. Seitlich angezeigte Taste zur Zykluswahl drücken



Kurzer Zyklus

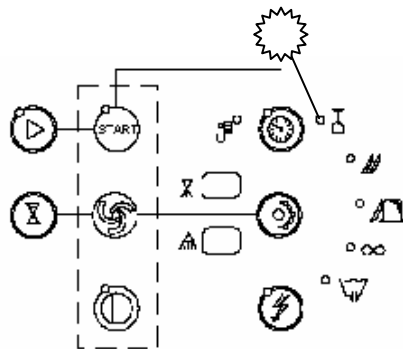
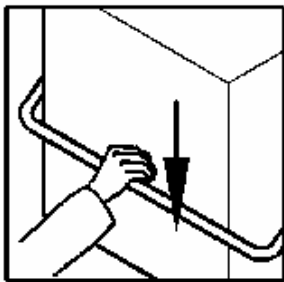
Mittlerer Zyklus

Langer Zyklus

Das dem gewählten Programm entsprechende Lämpchen leuchtet auf.

**Bemerkung:** das Programm „∞“ für verlängerte Spülvorgänge wählen.

4

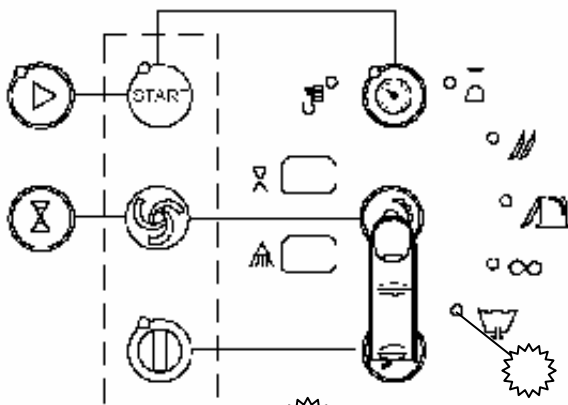


4. Die seitlich angezeigte Taste drücken und die Haube schließen, die Maschine startet automatisch.

Für die folgenden Spülvorgänge genügt es, die Haube zu schließen.

**Bemerkung:** Um den Spülvorgang „∞“ zu unterbrechen, die Taste drücken (Für neue Spülvorgänge ist die unter Nr. 3 beschriebene Prozedur zu wiederholen).

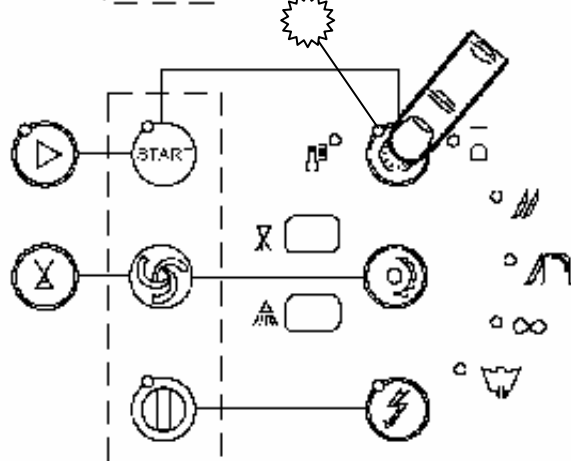
1



#### 4.1.1 Automatisches Abpumpen des Wassers in der Wanne (optional)..

1. Die seitlich angezeigte Taste drücken und Abflussprogramm wählen (die entsprechende Kontrolleuchte schaltet sich ein).

2



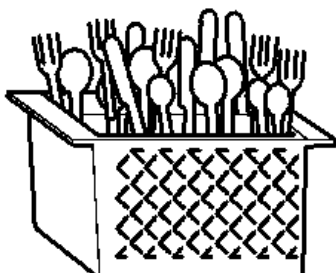
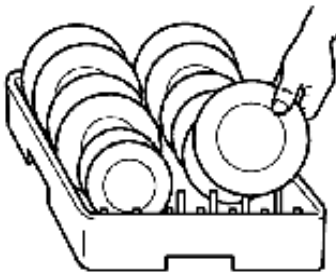
- 2 Die nebenstehende Taste drücken und die Maschine führt automatisch das Abpumpen des Wassers in der Wanne aus..

Bei den Modellen mit einem partiellen Wasseraustausch führt die Maschine beim Abpumpen eine Selbstreinigung der Wanne aus.



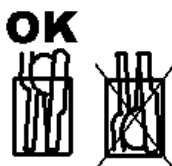
## 4.2 BEDIENUNGSANLEITUNG

- Gemäß der Anleitung des Herstellers die notwendige Menge Spülmittel in die Wanne einfüllen
- Es muss ein industrielles Spülmittel mit Schaumhemmer verwendet werden.
- Nicht die bloßen Hände in die Waschlauge eintauchen, die Tassen und Gläser umgedreht in die Körbe stellen. Die Teller in den entsprechenden Korb mit Halterelementen einordnen (Innenfläche nach oben).
- Besteck und Kaffeelöffel mit dem Griff nach unten einfüllen.
- Keine Bestecke aus Silber und aus rostfreiem Stahl in denselben Besteckkorb geben. Das Silber würde anlaufen und der rostfreie Stahl wahrscheinlich korrodieren .



- Für die verschiedenen Gegenstände (Teller , Gläser , Tassen, Besteck usw.) die jeweils dafür vorgesehenen Körbe verwenden. Um Spülmittel und Strom einzusparen, nur volle, aber nicht überladene Körbe spülen. Das Übereinanderstapeln von Geschirr ist zu vermeiden.

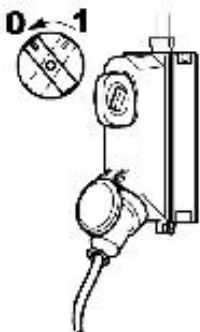
Um den Wartungsaufwand soweit als möglich einzuschränken, **EMPFEHLEN WIR EINE VORREINIGUNG** des Geschirrs. Die Entfernung von Essensresten, Zitronenschalen Zahnstochern, Olivenkernen usw., die den Filter der Elektropumpe teilweise verstopfen und somit die Reinigungswirkung beeinträchtigen könnten, verbessert auch die Qualität des Endergebnisses.

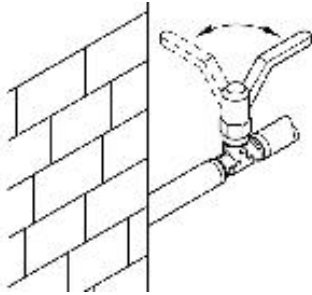


Es wird empfohlen, das Geschirr zu spülen, bevor die Essensreste darauf antrocknen. Sollte der Schmutz bereits verhärtet sein, wird empfohlen, Geschirr und Besteck einzuweichen, bevor es in die Maschine eingefüllt wird.

## 4.3 TÄTIGKEITEN BEI ENDE DES SPÜLGANGES

- Die Stromzufuhr zur Maschine unterbrechen.
- Den Deckel heben und den Korb mit dem sauberen Geschirr herausziehen.



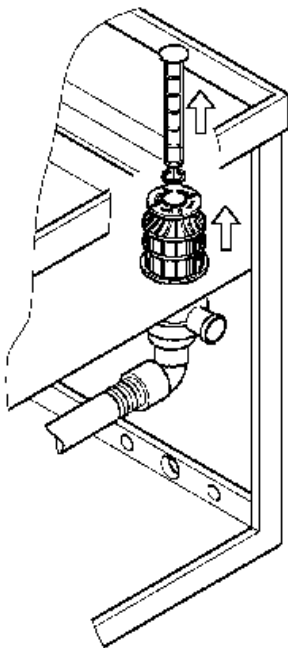


- Durch Heben des Überlaufs das Wasser aus der Wanne ablassen. Bei Maschinen mit Ablaufpumpe die Anweisungen in Abschnitt 4.1.1 "Automatischer Abfluss des Spülwassers" befolgen.

- Den Hauptschalter der Anlage abschalten.

- Den Absperrschieber der Wasserzulaufleitung schließen.

- Die Filter entfernen; sie unter einem Wasserstrahl mit einer Nylonbürste reinigen.



- Beachten sie, dass keine Schmutzreste vom Boden des Filters der Abflusspumpe in die Wanne fallen. Die Wanne mit einem mäßig starken Wasserstrahl reinigen. Die äußeren Oberflächen, wenn sie kalt sind, mit einem nicht-scheuernden, speziell für Stahl geeigneten Mittel reinigen.

**Bemerkung:** Das Gerät nie mit direktem Wasserstrahl oder mit Wasser unter starkem Druck reinigen, da bei eventuellem Eindringen von Wasser in die elektrischen Teile der Maschine das regelmäßige Funktionieren des Geräts und der einzelnen Sicherheitssysteme nicht mehr gesichert ist und außerdem in einem solchen Fall die Garantie ihre Gültigkeit verliert.

## KAP. 5 WARTUNG

### 5.1 ALLGEMEINE VORSCHRIFTEN

Die Maschinen sind wartungsarm ausgelegt. Die folgenden Normen müssen immer beachtet werden, um eine lange Dauer und ein Funktionieren ohne Schwierigkeiten zu garantieren.

Auf jeden Fall müssen einige allgemeine Regeln beachtet werden, um das Funktionieren der Maschine perfekt zu halten:

- Die Maschine sauber und in Ordnung halten
- Vermeiden, dass vorläufige oder Notreparaturen zur Regel werden.

Die strenge Beachtung der Normen der periodischen Wartung ist äußerst wichtig. Alle Maschinenteile müssen regelmäßig kontrolliert werden, um zu vermeiden, dass es zu eventuellen Unregelmäßigkeiten kommt und um die für den eventuellen Wartungsfall notwendigen Zeiten und Mittel vorherzusehen.

**Bevor Sie das Gerät reinigen, schalten Sie die Stromversorgung ab.**



## 5.2 REGELMÄSSIGE WARTUNG ( mindestens alle 20 Tage)

Um die im folgenden beschriebenen Wartungsarbeiten einfacher zu machen, kann man den Korbrahmen aus seinem Sitz herausziehen.

- Die oberen und unteren Nachspülarme ausbauen; dazu wird die Befestigungsklinke abgeschraubt.
- Sämtliche Düsen ausbauen, reinigen und wieder an ihren Platz einsetzen.
- Die oberen und unteren Wascharme durch Abschrauben des Nachspülzapfens ausbauen, reinigen und nachspülen.
- Den Filter der Waschpumpe herausnehmen. Den Filter reinigen und abspülen.
- Mit großer Sorgfalt die Wanne reinigen.
- Während die Maschine stillsteht, den Deckel offen stehen lassen.
- Durch die im Wasser enthaltenen Kalk- und Magnesiumsalze bilden sich nach einer bestimmten Betriebszeit, je nach Wasserhärte, im Inneren des Boilers und in den Rohrleitungen Kalkablagerungen, die das einwandfreie Funktionieren der Maschine infrage stellen können.
- Diese Ablagerungen müssen deshalb regelmäßig entfernt werden. Es wird empfohlen, hierzu Fachpersonal heranzuziehen.
- Sollte die Maschine lange Zeit unbenutzt stehen, die Stahlflächen mit Vaselineöl einölen.
- Bei Gefahr von Eisbildung muss Fachpersonal das Wasser aus dem Boiler und der Waschpumpe ablassen.
- **Bei Schäden oder Funktionsstörungen wenden Sie sich nur an ein vom Hersteller der Geräte oder vom Händler autorisiertes Kundendienstzentrum.**



## KAP. 6 ABBAU

### 6.1 ABBAU DER MASCHINE

In unseren Maschinen gibt es keine Materialien, die besondere Entsorgungsverfahren erfordern.

---

**SOMMAIRE**

<b>CHAP 1 PRÉFACE .....</b>	<b>27</b>
<b>CHAP.2 INSTALLATION .....</b>	<b>27</b>
2.1 DEPLACEMENT ET DEBALLAGE .....	27
2.2 BRANCHEMENT ELECTRIQUE .....	28
2.3 RACCORDEMENT HYDRAULIQUE .....	28
2.4 CONNEXION AU RESEAU DE VIDANGE .....	29
2.5 REGLAGES ET CONTROLES .....	29
2.6 DOSEUR LIQUIDE DE RINCAGE .....	29
2.7 DETERGENT .....	30
<b>CHAP.3 PRESCRIPTIONS DE SECURITE:.....</b>	<b>30</b>
3.1 RISQUES RESIDUELS ET AVERTISSEMENTS.....	30
3.2 DISPOSITIFS DE SECURITE .....	31
<b>CHAP.4 UTILISATION DE LA MACHINE .....</b>	<b>32</b>
4.1 DESCRIPTION DES COMMANDES .....	32
4.1.1 VIDANGE EAU AUTOMATIQUE DANS CUVE (OPTION) .....	32
4.2 UTILISATION DE LA MACHINE .....	34
4.3 OPÉRATIONS DE FIN SERVICE .....	34
<b>CHAP. 5 ENTRETIEN .....</b>	<b>35</b>
5.1 REGLES GENERALES.....	35
5.2 ENTRETIEN PERIODIQUE (à effectuer tous les 20 jours au minimum).....	36
<b>CHAP. 6 DEMANTELEMENT .....</b>	<b>36</b>
6.1 MISE AU REBUT DE LA MACHINE.....	36

---



## CHAP 1 PRÉFACE

Les avertissements contenus dans ce manuel fournissent d'importantes indications concernant la sûreté dans les différentes phases de l'installation, de l'emploi et de l'entretien.

**L'opérateur a le devoir de lire attentivement ce manuel** avant de commencer toute opération concernant le déplacement, l'installation, l'usage, l'entretien ou la mise au rebut de la machine. Il faut donc garder soigneusement ce livret, en le plaçant dans un endroit sûr, et en faire plusieurs copies pour la consultation fréquente.

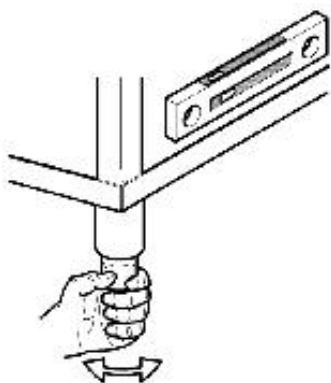
## CHAP.2 INSTALLATION

### 2.1 DÉPLACEMENT ET DÉBALLAGE



- Le déplacement doit être exécuté avec soin au moyen d'un élévateur.
- Vérifier l'intégrité de l'appareil; en cas de dommages visibles, renseigner immédiatement le vendeur et le transporteur qui a effectué le transport. En cas de doute, ne pas utiliser la machine jusqu'à ce qu'elle ait été contrôlée par le personnel spécialisé.
- Transporter la machine sur le lieu prévu pour la mise en place et la déballer.

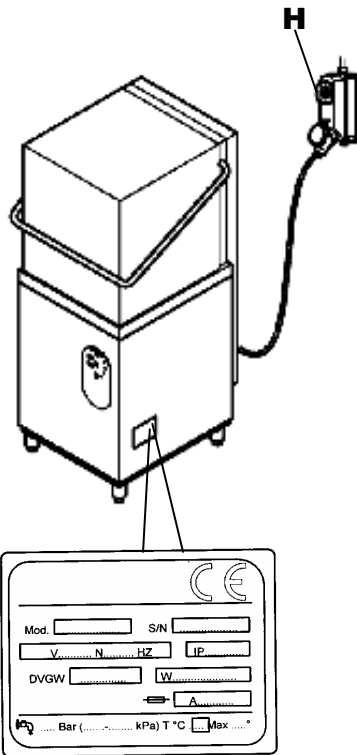
**Les éléments d'emballage (sachets en plastique, polystyrène expansé, clous etc.) ne doivent pas être laissés à la portée des enfants car ils constituent un danger potentiel.**




- La mise en place doit être exécutée selon les consignes du constructeur et par un personnel qualifié.
- Cette machine n'est destinée qu'au raccordement fixe.
- Positionner la machine en ayant soin de la mettre parfaitement de niveau en réglant ses vérins.
- Le dallage devra tenir compte du poids global de la machine.
- Suivant les indications du schéma d'installation de la machine, prévoir dans le local de lavage, les installations d'alimentation électrique, d'approvisionnement d'eau et d'évacuation.



## 2.2 BRANCHEMENT ÉLECTRIQUE



1. La connexion au réseau devra être exécutée au moyen d'un interrupteur général. (H) De type omnipolaire, il interrompt tous les contacts y compris le neutre, avec une distance entre les contacts ouverts d'au moins 3 mm, avec déclenchement magnéto-thermique de sécurité ou accouplé à des fusibles et capable d'être compatible avec les indications de la fiche technique, et de la plaque de l'appareil.
2. S'assurer que la tension et la fréquence du réseau électrique correspondent à celles qui sont indiquées sur l'étiquette des caractéristiques techniques placée sur le côté droit de la machine.
3. Une mise à la terre efficace, imposée par les normes de prévention en vigueur, est un gage de sécurité pour l'opérateur et pour l'appareil.
4. Il est absolument défendu d'utiliser des adaptateurs, des prises multiples et des rallonges.
5. L'appareil doit en outre être inclus dans un système équipotentiel dont la connexion est exécutée au moyen d'une vis indiquée par le symbole.  Le conducteur équipotentiel devra avoir une section de 10 mm<sup>2</sup>.



Le câble d'alimentation pourra être remplacé seulement par un câble ayant la même section, du type H07RN-F.

Pour d'autres informations, vous pouvez consulter le schéma électrique ci-joint.

## 2.3 RACCORDEMENT HYDRAULIQUE

Préparer le local selon le schéma hydraulique ci-joint.

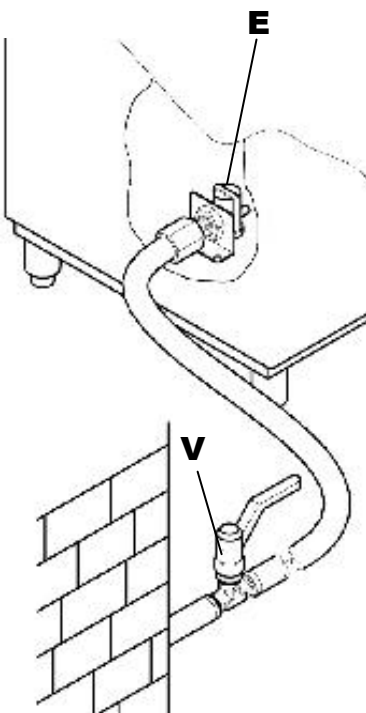
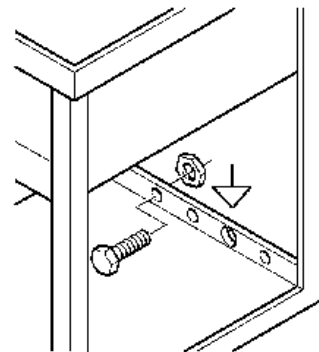
Avant de raccorder la machine, s'assurer qu'une soupape à vanne a été intercalée entre le réseau de distribution d'eau et la machine, afin de pouvoir couper l'alimentation au besoin ou en cas de réparation.

Au moyen d'un tuyau flexible, relier l'électrovanne (E) de remplissage à la vanne d'arrivée d'eau (V) et s'assurer que la portée de l'alimentation ne soit pas inférieure à 20 l/min.

**S'assurer que la température et la pression de l'eau d'alimentation correspondent aux valeurs indiquées dans la documentation technique.**

Si la dureté de l'eau est supérieure aux valeurs indiquées dans le tableau suivant, nous conseillons d'installer un adoucisseur en amont de l'électrovanne d'alimentation de la machine.

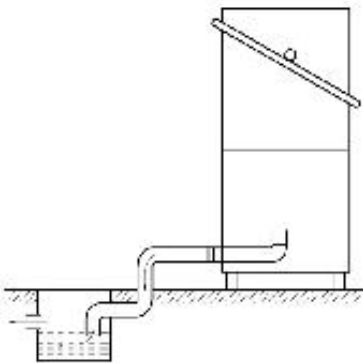
En cas de très forte concentration de minéraux résiduels dans l'eau ou de conductibilité élevée, nous recommandons d'installer un équipement de déminéralisation étalonée pour avoir une dureté résiduelle comme indiqué dans le tableau suivant.



	Caractéristiques		Da	A
Dureté	Dégrés français	f	5	10
	Dégrés allemands	°dH	4	7'5
	Dégrés anglais	°e	5	9,5
	Parties pour milion	ppm	70	140
Minéraux résidus	Maximum	mg/l	300/400	



## 2.4 CONNEXION AU RÉSEAU DE VIDANGE



Etant donné que le vidange de la cuve s'effectue par gravité, l'évacuation doit être située à un niveau inférieur à la base de la machine.

Le raccord de vidange doit être relié à un puisard ou à un drain siphonné creusé dans le sol au moyen d'un tuyau flexible.

Les dimensions du vidange de la machine sont indiquées dans le schéma d'installation.

## 2.5 REGLAGES ET CONTROLES



La température de la cuve de lavage est réglée à 55° C environ par un thermostat fixe. Cette température favorise l'exploitation correcte des propriétés chimiques des détergents pour le lavage industriel.

La température du réchauffeur réglée par un thermostat fixe est de 85°C environ.



## 2.6 DOSEUR LIQUIDE DE RINCAGE

our effectuer le réglage, on devra agir sur la vis de réglage (B) située au milieu du doseur; en la tournant dans le sens des aiguilles d'une montre ou dans le sens inverse on aura, respectivement, la réduction ou bien l'accroissement de la quantité débitée.

**Le doseur ne doit pas fonctionner ou rester à sec.**

Une dose excessive de produit de rinçage cause des stries bleuâtres sur la vaisselle et la formation de mousse dans la cuve de lavage.

En revanche, la vaisselle recouverte de gouttes d'eau et un séchage plutôt lent révèlent une quantité insuffisante de produit de rinçage.

**7 cm. de tuyère = 1 gr. de produit**



## 2.7 DÉTERGENT

### Appareil sans doseur de détergent

Introduire le détergent dans la cuve de lavage selon la dose conseillée par le constructeur. Cette quantité, selon le type de détergent, peut varier de 2 à 4 gr/lit d'eau de la cuve. Le détergent doit être ajouté tous les 5 lavages, en respectant la quantité prescrite par le fournisseur du détergent.

Les quantités mentionnées ci-dessus s'appliquent à une dureté moyenne de l'eau de 5-10 °F (dégrés français).

### Appareil avec doseur de détergent (optional)

#### Réglages:

En agissant sur le trimmer (A) on détermine donc le temps «allumé/éteint» et par conséquent la quantité de détergent.

- En tournant le trimmer dans le sens des aiguilles d'une montre ou dans le sense inverse on aura, respectivement, la réduction ou bien l'accroissement de la quantité débitée.
- Pour finir le réglage, on devra évaluer les résultats de quelques lavages.



#### ATTENTION!

Le récipient ne doit jamais être vide ni être rempli avec des produits corrosifs ou impurs.

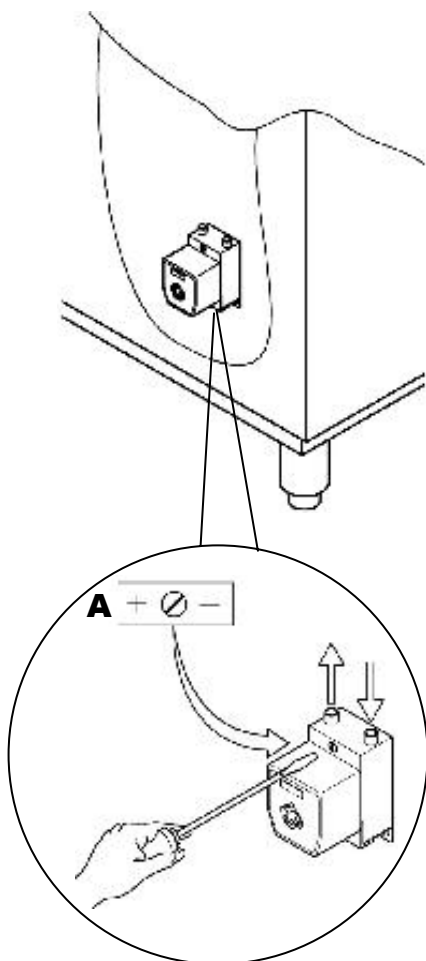
La garantie ne couvre pas les dommages consécutifs à un mauvais emploi du doseur.

## CHAP.3 PRESCRIPTIONS DE SECURITE:



### 3.1 RISQUES RESIDUELS ET AVERTISSEMENTS

- Ne jamais ouvrir brusquement le capot de la machine si le cycle n'est pas terminé.
- Ne jamais immerger les mains nues dans les solutions de lavage.
- Ne jamais enlever les panneaux de la machine avant d'avoir débranché l'alimentation en amont.
- Le personnel spécialisé qui effectue l'installation et le branchement électrique est tenu d'instruire l'utilisateur sur le fonctionnement de l'appareil et les éventuelles mesures de sécurité à respecter.
- L'installateur doit également faire une démonstration pratique du mode d'emploi et relâcher les instructions écrites correspondantes, délivrées avec l'appareil.
- **Cet appareil ne doit être utilisé que pour l'usage pour lequel il a été conçu. Tout autre usage serait considéré inapproprié et donc dangereux.**
- Ne jamais utiliser la machine sans les protections ( microinterrupteurs, panneaux ou autre) prévues par le constructeur .

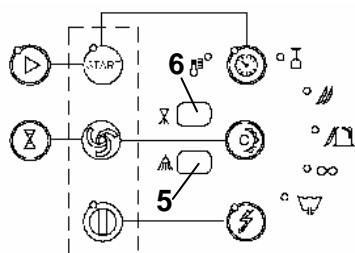


- L'éventuelle réparation de la machine peut uniquement être effectuée par le constructeur ou un service après-vente agréé, en utilisant exclusivement les pièces de rechange originales.
- Ne pas respecter les règles énoncées ci-dessus compromettrait la sécurité de l'appareil.
- La machine ne doit pas rester sous tension lorsqu'elle n'est pas utilisée.
- Utiliser les paniers appropriés pour les assiettes et les verres.
- Ne pas laisser la machine exposée aux agents atmosphériques.
- Ne pas mettre la machine en marche si elle n'est pas correctement branchée à la ligne électrique et hydrique, avec tous les dispositifs de sécurité tels que : le voltage, la fréquence et coupe-fusibles, comme indiqué sur la plaque.
- Le technicien est obligé de vérifier que la mise à terre fonctionne.

L'installateur est obligé de relâcher une déclaration écrite concernant la bonne marche de l'installation et des essais effectués selon les normes et dans les règles de l'art.

1. Ne jamais faire partir le cycle sans : le filtre et le bouchon du trop-plein de la cuve.
2. Avant de vider la machine, penser à la débrancher de la ligne électrique.
3. Ne jamais approcher des objets magnétiques de la machine car elle pourrait se mettre en marche, même avec le capot ouvert.
4. Ne jamais utiliser le capot comme plan d'appui.
5. Ne pas laver la machine avec un jet d'eau direct.
6. La machine ne peut être utilisée par un personnel non agréé et correctement formé ou en mesure de pouvoir être formé.
7. Ne pas faire partir le lavage pendant le vidage.

- Si on remarque un mauvais fonctionnement ou une perte d'eau sur la machine, l'éteindre immédiatement



### 3.2 DISPOSITIFS DE SECURITE

La carte est en mesure de reconnaître différentes situations de panne.

Les dysfonctionnements sont facilement mis en évidence par des messages sur les displays/voyants (5 et 6) et par les interrupteurs des éventuelles fonctions en cours seulement dans les cas (1 et 3) sous-mentionnés.

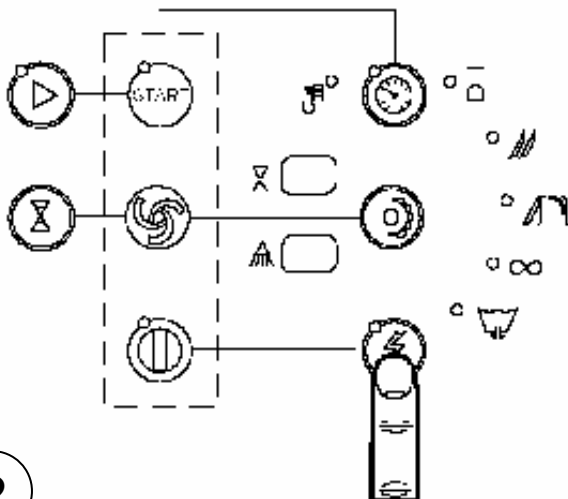
**ATTENTION!** Le fait d'éteindre et de rallumer la machine "re-initialise" le signal, qui se représentera si le problème n'a pas été résolu.

		Message visualisé sur l'écran	
	PROBLEMES:	Chauffe-eau (6)	Cuve (5)
1	<b>REMPLISSAGE NON EFFECTUE OU DEBORDEMENT DE L'EAU DANS LA CUVE</b> (si un temps $\geq$ à 10 mn s'est écoulé, le niveau correct n'a pas été atteint dans la cuve)		04
2	<b>SONDES CHAUFFE-EAU EN PANNE</b> (si la sonde n'est pas correctement branchée ou si elle est endommagée) (si la sonde est en court-circuit ou endommagée)	 	07 08
3	<b>SURCHAUFFE</b> (Température excessive dans chauffe-eau et cuve) (intervention thermostat de sécurité)	HI SA	HI FE
4	<b>RINÇAGE</b> (Rinçage non effectué) (Rinçage pression insuffisante) (Rinçage pression excessive)	  	01 01 02



<p><b>5</b></p>	<p align="center"><b>SONDES CUVE EN PANNE</b></p> <p>(si la sonde n'est pas correctement branchée ou si elle est endommagée) (si la sonde est en court-circuit ou endommagée)</p>	<p>Er Er</p>	<p>05 06</p>
<p><b>7</b></p>	<p align="center"><b>NIVEAU MAXIMUM DE LA SECURITE</b></p> <p>(Le message apparait lorsque l'eau de la cuve atteint le niveau maximum au delà duquel elle pourrait déborder. La machine bloque alors toutes les fonctions et actionne l'électropompe de vidange). Eteindre et allumer la machine. <b>Si le problème persiste, contacter un service après-vente.</b></p>	<p>SA</p>	<p>EL</p>
<p><b>8</b></p>	<p align="center"><b>DEFAUT DE VIDANGE</b></p> <p>Le message apparait en cas de problème sur l'électropompe de vidange et les conduites de vidange. Eteindre et allumer la machine. Si le problème persiste contacter un service après-vente. <b>Remarque : la machine permet d'effectuer des cycles de lavage et de rinçage tant que le niveau maximum de la sécurité n'est pas atteint, auquel cas le message SAFL est visualisé.</b></p>	<p>Er</p>	<p>02</p>

**1**

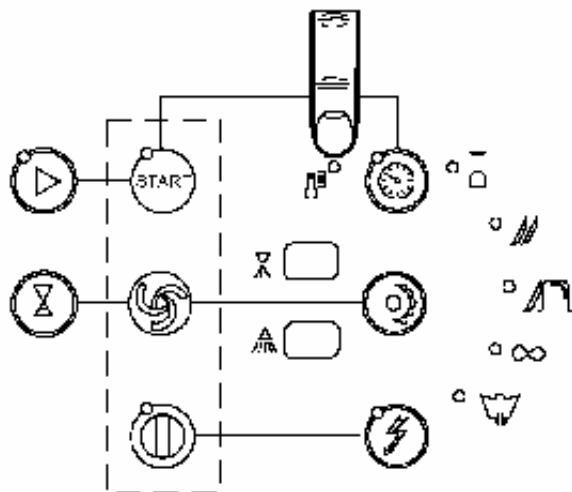


**CHAP.4 UTILISATION DE LA MACHINE**

**4.1 DESCRIPTION DES COMMANDES**

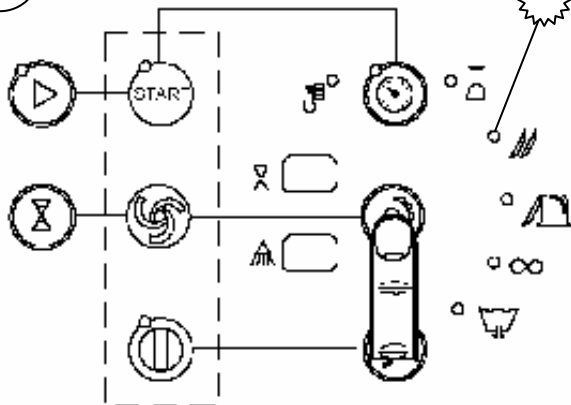
1. Pour allumer la machine appuyer sur la touche indiquée sur le côté (le témoin correspondant s'allume).

**2**



2. Lorsque le voyant s'allume, la machine est prête à l'emploi.

3



3. Appuyer sur la touche indiquée sur le côté pour sélectionner le cycle.



Cycle court



Cycle moyen

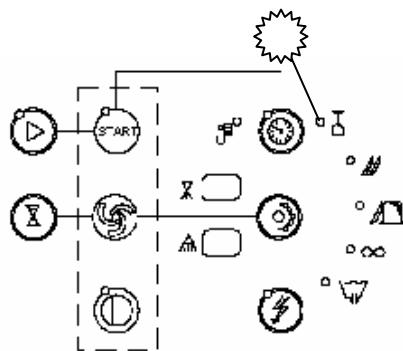
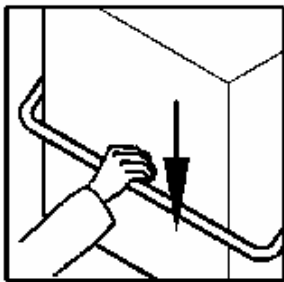


Cycle intensif

Le voyant s'allume au niveau du produit sélectionné.

**Note: choisir le programme "∞" pour les lavages prolongés.**

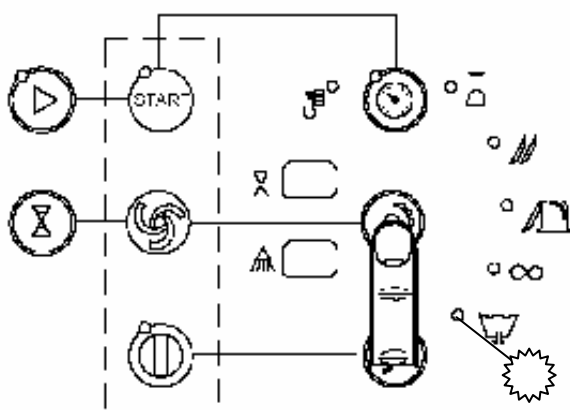
4



4. Appuyer sur la touche indiquée sur le côté et fermer la porte, la machine se met en marche automatiquement. Pour les lavages suivants, il suffira de baisser le capot.

**N.B. Pour interrompre le lavage "∞", appuyer sur la touche, (pour exécuter de nouveaux programmes de lavage, répéter la séquence n°3).**

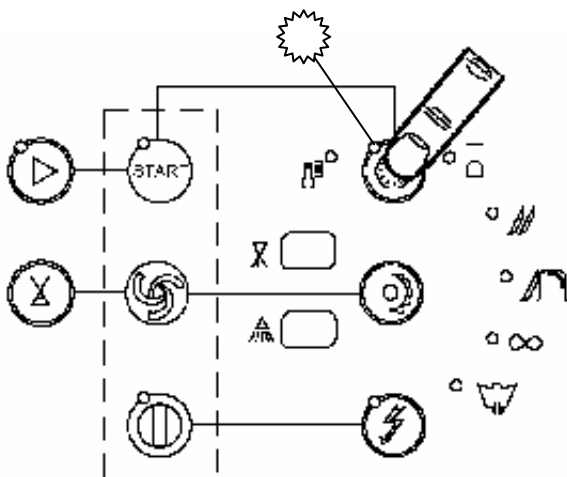
1



#### 4.1.1 Vidange automatique de l'eau de cuve (en option).

1. Appuyer sur la touche indiquée sur le côté et sélectionner le programme de vidange (le témoin correspondant s'allume)

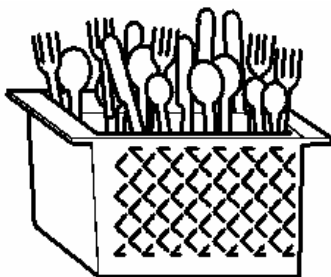
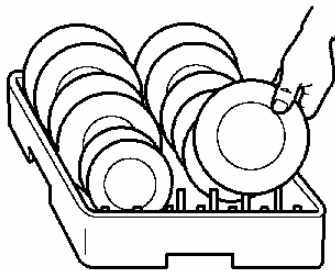
2



- 2 Appuyer sur la touche indiquée à côté. La machine effectue automatiquement la vidange de l'eau de la cuve.

Sur les modèles avec changement partiel de l'eau, la machine effectue un autolavage de la cuve pendant la vidange

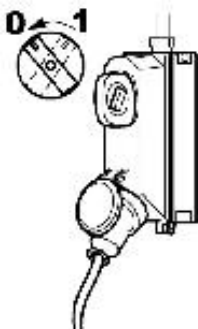
## 4.2 UTILISATION DE LA MACHINE



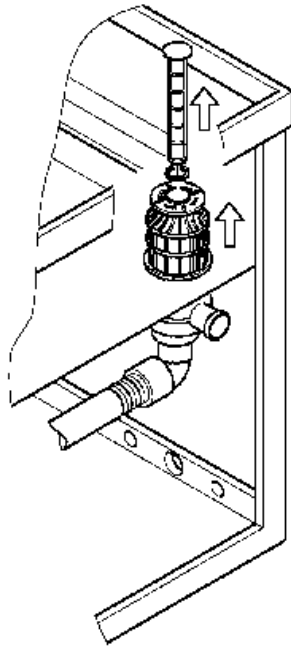
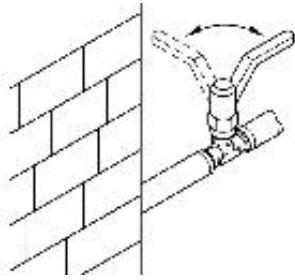
- Suivant les instructions du constructeur, introduire la quantité nécessaire de détergent dans la cuve de lavage.
  - Le détergent doit être du type industriel, peu mousseux.
  - Ne pas plonger les mains nues dans la lessive de lavage; ranger les tasses et les verres renversés dans les paniers. Introduire les assiettes dans le panier spécial qui est muni de doigts de support, la surface intérieure étant tournée vers le haut.
  - Disposer les couverts et les cuillers à café, le manche étant tourné vers le bas.
  - Ne pas ranger les couverts en argent et en acier inoxydable dans le même panier. Il s'ensuivrait le brunissage de l'argent et la corrosion probable de l'acier inoxydable.
  - Utiliser les paniers spécifiques qui ont été spécialement conçus pour le type différent de vaisselle (assiettes, verres, tasses, couverts, etc.). Pour économiser du détergent et de l'énergie électrique, ne laver que les paniers complets, sans toutefois les surcharger. Eviter toute superposition de la vaisselle.
- Afin de réduire au minimum l'entretien, **NOUS PRECONISONS DE NETTOYER PREALABLEMENT** la vaisselle. L'élimination des déchets, des zestes de citron, des cure-dents, des noyaux d'olive, etc. qui risqueraient de boucher partiellement le filtre de l'électropompe, réduisant la performance du lavage, améliorera sensiblement la qualité du résultat final.

**Il est conseillé de laver la vaisselle avant que les déchets puissent sécher sur sa surface. En cas de saleté durcie, il sera nécessaire d'effectuer un traitement de trempage avant d'introduire la vaisselle et les couverts dans la machine.**

## 4.3 OPÉRATIONS DE FIN SERVICE



- Enlever tension de la machine
- Lever la capote et extraire le panier avec la vaisselle propre.



- Faire déverser l'eau de la cuve en soulevant le trop-plein. Pour le modèle avec pompe de Vidange
- Déconnecter l'interrupteur général de l'appareillage.
- Fermer la soupape à vanne pour la connexion hydraulique.
- Enlever les filtres, les laver et nettoyer sous un jet d'eau froide avec une brosse en nylon.
- Faire attention à ne pas faire tomber les restes de saleté sur le fond du filtre pompe vidange dans la cuve. Nettoyer la cuve avec un jet d'eau modéré. Laver les surfaces extérieures quand elles sont froides avec produits non-abrasifs spécialement formulés pour l'entretien de l'acier.

**NOTE:** Ne pas laver l'appareil avec jets directs ou avec haute pression car éventuelles infiltrations aux composants électriques pourraient compromettre le régulier fonctionnement de l'appareil et des singles systèmes de sûreté. Amende la déchéance de la garantie.

## CHAP. 5 ENTRETIEN

### 5.1 REGLES GENERALES

Les machines ont été conçue a fin de réduire au minimum les besoins d'entretien. Les règles suivantes doivent être observées rigoureusement a fin de garantir une longue durée et un bon fonctionnement sans problèmes.

De toute façon on devra observer certaines règles générales pour maintenir les machines en parfait état de marche:

- maintenir la machine propre et en bon état
- éviter que les réparations provisoires ou d'urgence deviennent systématiques.

L'observation rigoureuse des règles d'entretien périodique est extrêmement importante, tous les organes de la machine doivent être contrôlés régulièrement a fin d'éviter des anomalies éventuelles, en prévoyant ainsi les temps et les moyens nécessaires pour l'éventuel intervention d'entretien.

Avant d procéder aux opérations de nettoyage, débrancher l'appareil.

## 5.2 ENTRETIEN PERIODIQUE (à effectuer tous les 20 jours au minimum)

Pour faciliter les operation qui suivent peut être enlevé de son siège le châssis porte-panier.

- Démontez les bras de rinçage supérieurs et inférieurs, en dévissant le cliquet de fixation.
- Dévisser et nettoyer tous les jets et les remonter à leur place.
- Démontez les bras de lavage supérieurs et inférieurs en dévissant le pivot de rinçage les nettoyer et le rincer.
- Retirer le filtre de la pompe de lavage. Le nettoyer et le rincer.
- Nettoyer soigneusement la cuve de lavage.
- Laisser le capot de la machine ouvert pendant toute la période de repos.
- A cause de sels de calcium et de magnésium présent dans l'eau, après une certaine période de fonctionnement, qui varie en fonction de la dureté de l'eau, une couche de tartre peut se former sur les parois de la cuve, du réchauffeur et des conduits, ce qui risque de préjudicier au bon fonctionnement de la machine.
- On devra donc effectuer périodiquement un détartrage que l'on conseille de faire exécuter par des techniciens qualifiés.
- Au cas où la machine resterait longtemps inutilisée, graisser les surfaces en acier avec de l'huile de vaseline.
- En cas de formation de glace, faire vider l'eau du réchauffeur et de la pompe de lavage par des techniciens qualifiés.
- **En cas de formation de glace, faire vider l'eau du réchauffeur et de la pompe de lavage par des techniciens qualifiés.**



## CHAP. 6 DEMANTELEMENT

### 6.1 MISE AU REBUT DE LA MACHINE

Sur nos machines il n'y a pas de matériaux qui demandent des procédures particulières de détérioration.

---

**INDICE**

<b>CAP.1</b>	<b>PREFAZIONE .....</b>	<b>39</b>
<b>CAP.2</b>	<b>INSTALLAZIONE.....</b>	<b>39</b>
2.1	MOVIMENTAZIONE E DISIMBALLO .....	39
2.2	COLLEGAMENTO ELETTRICO.....	40
2.3	COLLEGAMENTO IDRAULICO .....	40
2.4	COLLEGAMENTO ALLA LINEA DI SCARICO.....	41
2.5	REGOLAZIONE E CONTROLLI .....	41
2.6	DOSATORE BRILLANTANTE.....	41
2.7	DETERSIVO .....	42
<b>CAP.3</b>	<b>RACCOMANDAZIONI DI SICUREZZA.....</b>	<b>42</b>
3.1	RISCHI RESIDUI E AVVERTENZA .....	42
3.2	DISPOSITIVOS DI SICUREZZA.....	43
<b>CAP.4</b>	<b>USO DELLA MACCHINA .....</b>	<b>44</b>
4.1	DESCRIZIONE DEI COMANDI .....	44
4.1.1	DESCRIZIONE AUTOMATICA ACQUA IN VASCA (OPTIONAL). .....	44
4.2	UTILIZZO DELLA MACCHINA .....	46
4.3	OPERAZIONI DI FINE SERVIZIO .....	46
<b>CAP.5</b>	<b>MANUTENZIONE.....</b>	<b>47</b>
5.1	REGOLE GENERALI .....	47
5.2	MANUTENZIONE PERIODICA (da effettuarsi minimo ogni 20 giorni).....	48
<b>CAP.6</b>	<b>SMANTELLAMENTO.....</b>	<b>48</b>
6.1	SMANTELLAMENTO DELLA MACCHINA .....	48

---



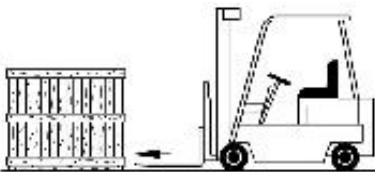
## CAP.1 PRAFAZIONE

Le avvertenze contenute nel presente manuale forniscono importanti indicazioni riguardanti la sicurezza nelle varie fasi di: installazione, uso e manutenzione.

**L'operatore avrà obbligatoriamente il dovere di visionare il presente manuale** prima di avviare ogni operazione riguardante la movimentazione, l'installazione, l'uso, la manutenzione o la messa fuori servizio della stessa macchina; è necessario quindi, conservarlo integro nel tempo, attraverso una collocazione sicura, con eventuali copie per la consultazione frequente

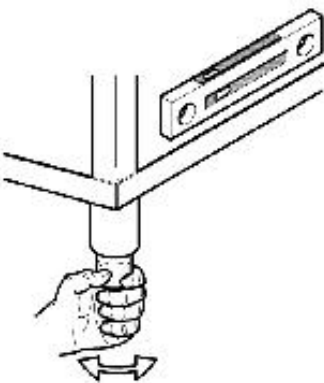
## CAP.2 INSTALLAZIONE

### 2.1 MOVIMENTAZIONE E DISIMBALLO



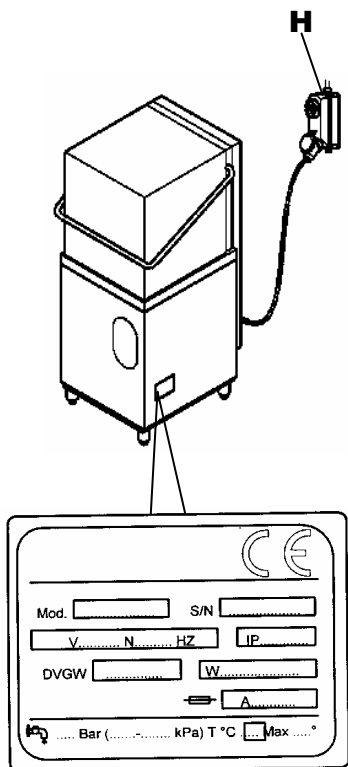
- La movimentazione deve avvenire con rigorosa cura a mezzo di carrello elevatore.
- Verificare l'integrità dell'apparecchiatura, in caso di danneggiamenti visibili, informare immediatamente il venditore ed il trasportatore che ne ha effettuato il trasporto. In caso di dubbio non utilizzare l'apparecchiatura fino a quando la stessa non sarà stata controllata da personale specializzato.
- Trasportare la macchina nel luogo previsto per l'installazione, liberandola dall'imballo.

**Gli elementi dell'imballo (esempio: sacchetti di plastica, polistirolo espanso, chiodi, etc. ...) non devono essere lasciati alla portata dei bambini in quanto fonte di potenziale pericolo.**




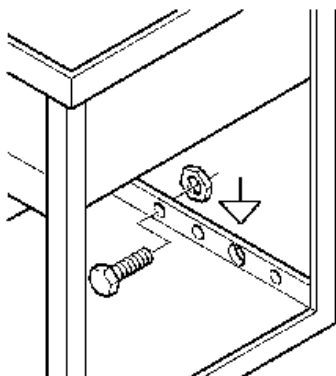
- L'installazione deve essere effettuata secondo le istruzioni del costruttore e da personale professionalmente qualificato.
- Questo apparecchio è adatto solo ad un allacciamento fisso.
- Mettere in posizione la macchina curandone il perfetto livellamento regolando i piedini.
- La pavimentazione dovrà essere dimensionata tenendo conto del peso complessivo della macchina.
- Seguendo le indicazioni riportate sullo schema di installazione della macchina predisporre, nel locale di lavaggio, gli impianti di alimentazione elettrica, approvvigionamento idrico e di scarico.





## 2.2 COLLEGAMENTO ELETTRICO

1. Il collegamento alla rete elettrica dovrà essere effettuato mediante un interruttore generale (H) e deve essere di tipo onnipolare, che interrompa tutti i contatti incluso il neutro, con distanza tra i contatti aperti di almeno 3 mm. con scatto magnetotermico di sicurezza od accoppiato a dei fusibili in grado di sopportare la corrente massima indicata in targa.
2. Accertarsi che la tensione e frequenza della rete elettrica siano corrispondenti a quelli della targhetta riportante le caratteristiche tecniche posta sul fianco destro della macchina.
3. Un efficace impianto di messa a terra, imposto dalle vigenti norme di prevenzione, è una garanzia di sicurezza per l'operatore e l'apparecchiatura.
4. È assolutamente vietato l'uso di adattatori, prese multiple e prolunghe.
5. L'apparecchiatura deve inoltre essere inclusa in un sistema equipotenziale, il cui collegamento viene effettuato mediante una vite contrassegnata dal simbolo . Il conduttore equipotenziale deve avere una sezione di 10 mm<sup>2</sup>.



Il cavo di alimentazione, in dotazione, potrà essere sostituito solo con un altro di uguale sezione del tipo H07RN-F.

Per ulteriori informazioni consultare lo schema elettrico allegato.

## 2.3 COLLEGAMENTO IDRAULICO

Predisporre il locale secondo lo schema idraulico allegato.

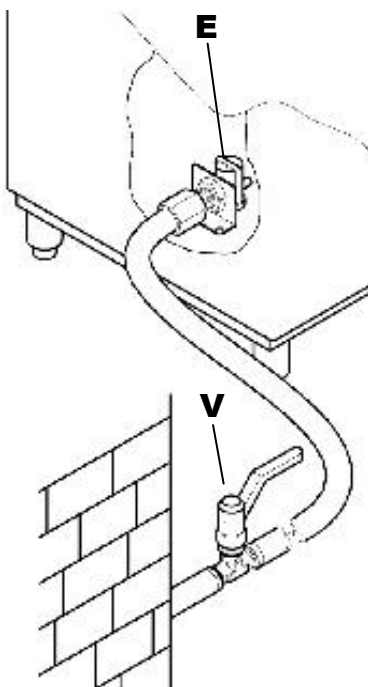
Prima di collegare l'apparecchio accertarsi che tra la rete di alimentazione idrica e l'apparecchio sia stata interposta una valvola a saracinesca che permetta di poter interrompere l'alimentazione in caso di necessità o di riparazione.

Mediante il tubo flessibile in dotazione collegare l'elettrovalvola (E) di carico alla valvola a saracinesca (V), assicurarsi che la portata di alimentazione non sia inferiore a 20 l/min.

**Accertarsi che la temperatura e pressione dell'acqua di alimentazione sia corrispondente a quanto riportato nella targhetta caratteristiche tecniche.**

Nel caso in cui la durezza dell'acqua dovesse risultare superiore a quanto indicato in tabella, consigliamo di installare un decalcificatore a monte della elettrovalvola di alimentazione della macchina.

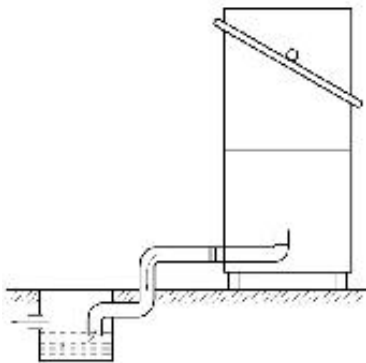
Nel caso di concentrazioni molto alte di minerali residui nell'acqua di conducibilità elevate consigliamo l'installazione di un impianto di demineralizzazione tarato per avere una durezza residua come da tabella qui di seguito riportata.



	Caratteristiche		Da	A
Durezza	Gradi francesi	f	5	10
	Gradi tedeschi	°dH	4	7'5
	Gradi inglesi	°e	5	9,5
	Parti per milione	ppm	70	140
Minerali residui	Massimo	mg/l	300/400	



## 2.4 COLLEGAMENTO ALLA LINEA DI SCARICO



Lo svuotamento della vasca avviene per gravità, quindi lo scarico deve essere situato ad un livello inferiore alla base della macchina

Il codolo di scarico deve essere collegato mediante tubo flessibile ad un pozzetto o piletta sifonata ricavata nel pavimento.

Le dimensioni dello scarico della macchina sono riportate nello schema installazione.

## 2.5 REGOLAZIONE E CONTROLLI



La temperatura della vasca di lavaggio è regolata a circa 55°C. Tale temperatura favorisce il corretto sfruttamento delle caratteristiche chimiche dei detersivi per lavaggio industriale.



La temperatura del boiler è di circa 85°C.



## 2.6 DOSATORE BRILLANTANTE

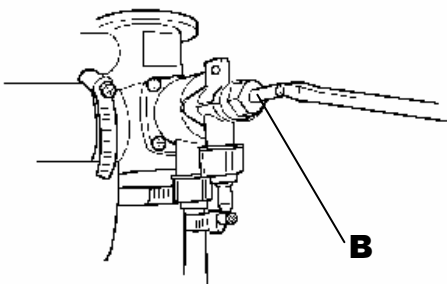
Per effettuare la regolazione si dovrà agire sulla ghiera (B) posta al centro del dosatore, ruotandola in senso orario o antiorario si otterrà, rispettivamente la riduzione oppure l'incremento della quantità erogata.

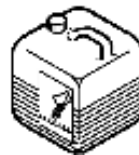
**Il dosatore non deve funzionare a secco.**

Una dose eccessiva di brillantante determina striature bluastre sulle stoviglie e dà luogo a formazione di schiuma nella vasca di lavaggio.

Stoviglie coperte di gocce d'acqua ed una asciugatura piuttosto lenta, indicano che la quantità di brillantante è al contrario insufficiente.

**7 cm. di tubo = 1 gr. di prodotto.**





## 2.7 DETERSIVO

### Apparecchio senza dosatore di detersivo

Introdurre il detersivo nella vasca secondo la dose consigliata dal fabbricante. Tale quantità, secondo il tipo di detersivo, può variare dai 2 ai 4 gr/lt d'acqua contenuta nella vasca. Il detersivo va aggiunto ogni circa 5 lavaggi nella quantità suggerita dal fornitore del detersivo.

Le quantità sopra indicate valgono per una durezza media dell'acqua di 5-10°F (gradi francesi).

### Apparecchio con dosatore di detersivo (optional)

#### Regolazioni:

Agendo quindi sul trimmer (A) si determina il tempo di accensione/spegnimento e di conseguenza la quantità di detergente.

- Ruotando il trimmer in senso orario o antiorario si otterrà, rispettivamente la riduzione oppure l'incremento della quantità erogata.
- Per finire la regolazione si dovranno valutare i risultati di alcuni lavaggi.



#### ATTENZIONE!

Il livello nel contenitore non va mai fatto scendere sino allo svuotamento né rabboccato con prodotti corrosivi o impuri.

La garanzia non copre danni conseguenti ad un errato impiego del dosatore.

## CAP.3 RACCOMANDAZIONI DI SICUREZZA



### 3.1 RISCHI RESIDUI E AVVERTENZA

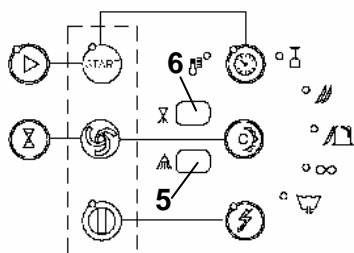
- Non aprire mai velocemente la capot della macchina se non ha finito il ciclo.
- Non immergere mai le mani nude nelle soluzioni di lavaggio.
- Non rimuovere mai i pannelli macchina se non si è prima provveduto a scollegare l'alimentazione a monte.
- Il personale specializzato che effettua l'installazione e l'allacciamento elettrico, è tenuto ad istruire adeguatamente l'utente circa il funzionamento dell'apparecchio e le eventuali misure di sicurezza da rispettare.
- L'installatore dovrà inoltre dare all'utente dimostrazioni pratiche sul modo di utilizzo e dovrà rilasciargli le relative istruzioni scritte che vengono fornite assieme all'apparecchio stesso.
- **Questo apparecchio dovrà essere destinato solo all'uso per il quale è stato espressamente concepito. Ogni altro uso è da considerarsi improprio e quindi pericoloso.**
- Non utilizzare mai la macchina senza protezioni ( microinterruttori, pannelli od altro) predisposte dal costruttore .

- L'eventuale riparazione della macchina dovrà essere effettuata solamente dalla casa costruttrice o da un centro di assistenza autorizzato utilizzando esclusivamente ricambi originali.
- Il mancato rispetto di quanto sopra può compromettere la sicurezza dell'apparecchio.
- La macchina non deve rimanere sotto tensione quando non viene utilizzata.
- Utilizzare i cestelli appositi per piatti e o bicchieri
- Non lasciare la macchina esposta ad agenti atmosferici.
- Non mettere in funzione la macchina se non collegata correttamente alla linea elettrica ed idrica, con tutti i dispositivi di sicurezza come: voltaggio, frequenza e taglio fusibili come indicato sui dati di targa.
- Il tecnico ha l'obbligo di verificare la buona efficienza terra.
- Il tecnico installatore ha l'obbligo di lasciare una dichiarazione scritta riguardo alla corretta installazione e collaudo secondo ogni normativa e regola d'arte.

INOLTRE E' IMPORTANTE SAPERE CHE:

Durante l'uso.....

1. Non mettere mai in funzione il ciclo senza: il filtro e il tappo troppopieno in vasca.
2. Prima di svuotare la macchina ricordarsi di scollegare la linea elettrica.
3. Non avvicinare mai oggetti magnetici alla macchina, potrebbe mettersi in funzione anche con la capot aperta.
4. Non utilizzare mai la capot come piano di appoggio.
5. Non lavare la macchina con getti d'acqua diretti.
6. La macchina non può essere utilizzata da personale non autorizzato ed adeguatamente istruito o in grado di poter essere istruito.
7. La macchina non deve rimanere sotto tensione elettrica quando non viene utilizzata.
8. Se si nota un mal funzionamento o perdite d'acqua dalla macchina, spegnere immediatamente la macchina.



**3.2 DISPOSITIVOS DI SICUREZZA**

La scheda è in grado di riconoscere, varie situazioni di guasto.

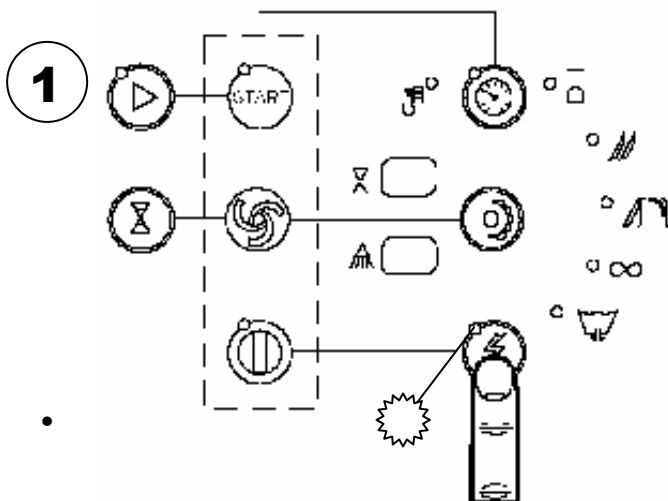
I malfunzionamenti vengono facilmente evidenziati dai messaggi dei display (5 e 6) e dall'interruzione delle eventuali funzioni in corso solo nei casi (1 e 3) sotto elencati

**ATTENZIONE! Lo spegnimento e la successiva accensione della macchina "resetta" la segnalazione, che successivamente si ripresenterà se non è stato risolto il problema.**

Messaggio Visualizzato dai Display

	<b>ANOMALIA RICONTRATA:</b>	<b>Boiler (6)</b>	<b>Vasca (5)</b>
<b>1</b>	<b>MANCATO RIEMPIMENTO O TRACIMAZIONE ACQUA IN VASCA</b> (se trascorso un tempo ≥10min. non è stato raggiunto il corretto livello in vasca)		
<b>2</b>	<b>GUASTO SONDE BOILER</b> (se la sonda non è correttamente collegata o danneggiata) (se la sonda è in corto circuito o danneggiata)	 	 
<b>3</b>	<b>SOVRATEMPERATURE</b> (Temperatura eccessiva boiler e vasca) (Intervento termostato sicurezza)	 	 
<b>4</b>	<b>RISCIACQUO</b> (Risciacquo non eseguito) (Risciacquo pressione insufficiente)	 	 

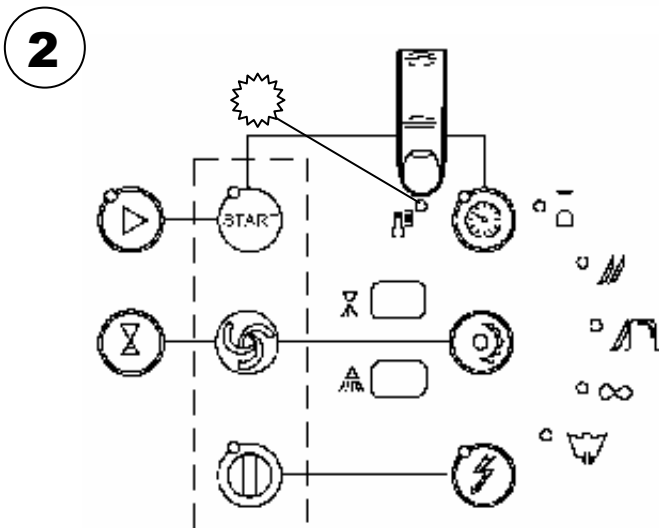
	(Risciacquo pressione eccessiva)	Pp	02
5	<b>GUASTO SONDE VASCA</b> (se la sonda non è correttamente collegata o danneggiata) (se la sonda è in corto circuito o danneggiata)	E <sub>r</sub> E <sub>r</sub> E <sub>r</sub>	05 06
6	<b>BOILER</b> (Guasto della resistenza Boiler) (Tempo eccessivo di riscaldamento)	E <sub>r</sub>	03
7	<b>LIVELLO MASSIMO DI SICUREZZA</b> (Il messaggio compare quando l'acqua in vasca raggiunge un livello massimo di sicurezza oltre il quale potremmo avere una tracimazione. Pertanto la macchina blocca ogni funzione ed attiva l'elettropompa di scarico). Spegnerne ed accendere la macchina. <b>Se il problema persiste, contattare un centro di assistenza.</b>	SA	EL
8	<b>MANCATO SCARICO.</b> Il messaggio compare quando esiste un problema con la elettropompa di scarico e o le condutture di scarico. Spegnerne ed accendere la macchina , se il problema persiste contattare un centro d'assistenza. <b>Nota: La macchina permette di effettuare cicli di lavaggio e risciacquo fin tanto che non si raggiunge il livello massimo di sicurezza, quindi verrà visualizzato il messaggio SAFL.</b>	E <sub>r</sub>	02



## CAP.4 USO DELLA MACCHINA

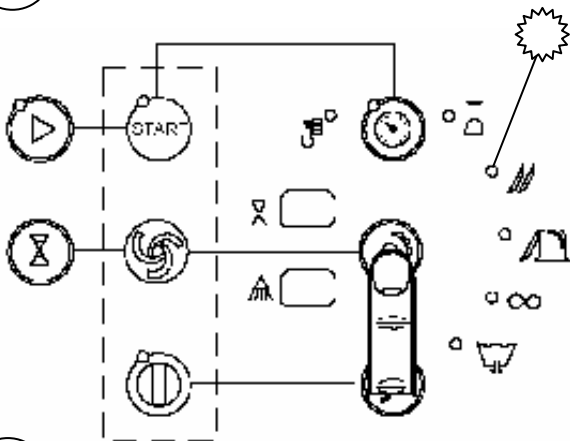
### 4.1 DESCRIZIONE DEI COMANDI

1. Per accendere la macchina premere il tasto a lato indicato (la spia corrispondente si illumina).



2. Quando la spia si accende è pronta all'uso.

3



3. Premere il tasto a lato indicato per scegliere il ciclo



Ciclo breve

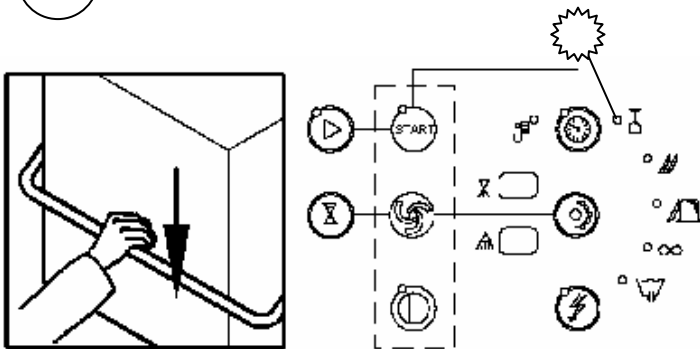
Ciclo medio

Ciclo intensivo

La spia si accende in corrispondenza del prodotto selezionato.

**Nota:** scegliere il programma "∞" per eseguire lavaggi prolungati.

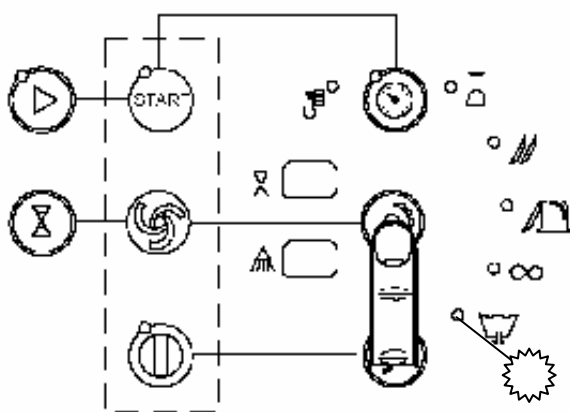
4



4. Premere il tasto a lato indicato e chiudere la capot, la macchina parte automaticamente.

**N.B.:** Per interrompere il lavaggio "∞" premere il tasto, (per eseguire programmi di lavaggio ripetere la sequenza n° 3)

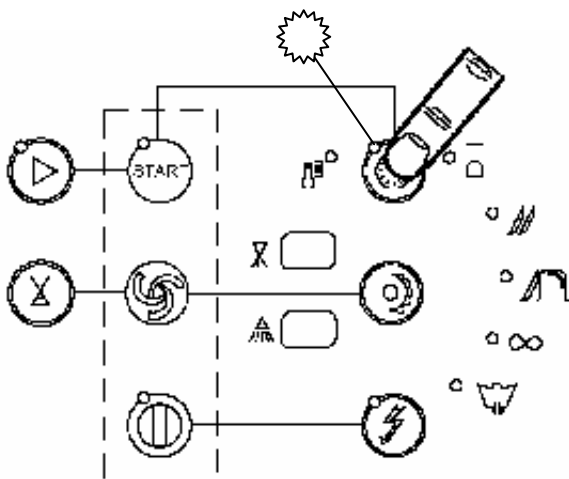
1



**4.1.1 Scarico automatica acqua in vasca (optional).**

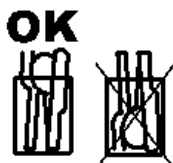
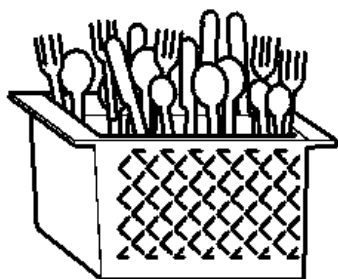
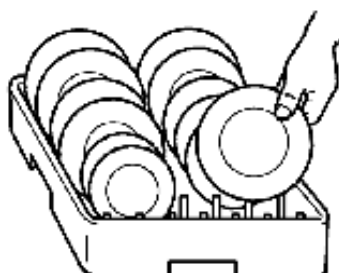
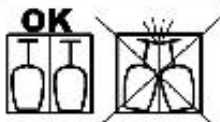
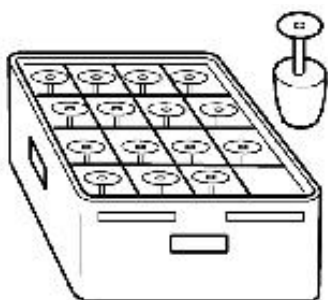
1. Premere il tasto a lato indicato e selezionare il programma di scarico (la spia corrispondente si accende).  
Togliere il troppopieno (Modelli con troppopieno)

2



2. Premere il tasto a lato indicato e la macchina esegue automaticamente lo scarico dell'acqua in vasca.  
Nei modelli con ricambio parziale d'acqua la macchina effettua durante lo scarico un autolavaggio vasca.

## 4.2 UTILIZZO DELLA MACCHINA

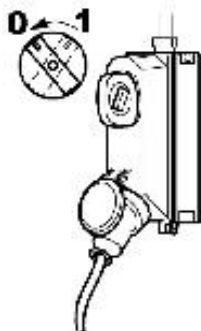


- Seguendo le istruzioni del fabbricante, immettere la quantità richiesta di detersivo nella vasca di lavaggio.
- Il detersivo deve essere di tipo industriale, liquido a schiuma frenata.
- Non immergere le mani nude nella lisciva di lavaggio, posizionare le tazze e i bicchieri rovesciati nei cestelli. Inserire i piatti nell'apposito cestello dotato di dita di supporto con la superficie interna rivolta verso l'alto.
- Mettere le posate ed i cucchiaini da caffè, con l'impugnatura rivolta verso il basso.
- Non sistemare posate d'argento e d'acciaio inossidabile nello stesso cestello portaposate. Ne risulterebbe la brunitura dell'argento e la probabile corrosione dell'acciaio inossidabile.
- Utilizzare i cestelli specifici appositamente concepiti per il diverso tipo di stoviglie (piatti, bicchieri, tazze, posate, ecc.). Per risparmiare detersivo ed energia elettrica, lavare solo cestelli completi, senza però sovraccargarli. Evitare ogni sovrapposizione di stoviglie.

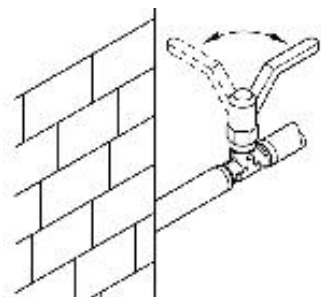
Al fine di ridurre al minimo la manutenzione, **RACCOMANDIAMO UNA PULIZIA PREVENTIVA** delle stoviglie. La rimozione di resti di cibo, bucce di limone, stuzzicadenti, noccioli d'oliva, ecc., che potrebbero parzialmente ostruire il filtro della elettropompa, diminuendo l'efficacia del lavaggio, migliorerà in modo sostanziale la qualità del risultato finale.

**E' consigliabile lavare le stoviglie prima che i residui di cibo possano essiccare sulle loro superfici. In caso di sporco indurito, sarà opportuno effettuare un trattamento di ammollo prima di introdurre stoviglie e posate nella macchina.**

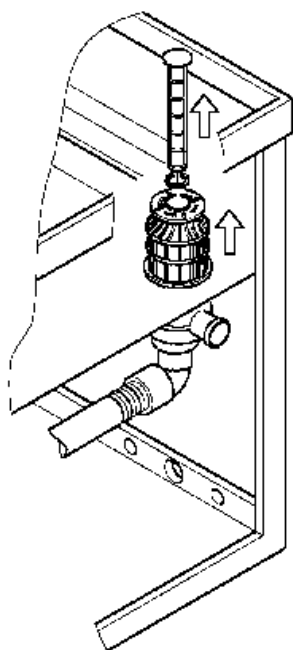
## 4.3 OPERAZIONI DI FINE SERVIZIO



- Togliere tensione alla macchina.
- Alzare la cappotta ed estrarre il cestello con le stoviglie pulite.
- Scaricare l'acqua della vasca sollevando il troppopieno. Per il modello con pompa di scarico attenersi alle operazioni descritte nel paragrafo «4.1.1 Scarico automatico acqua in vasca».



- Disinserire l'interruttore generale a monte dell'apparecchiatura.
- Chiudere la valvola a saracinesca per il collegamento idraulico.



- Togliere i filtri, pulirli sotto un getto d'acqua con una spazzola in nylon.
- Prestare attenzione a non fare cadere i residui di sporco depositati sul fondo del filtro pompa scarico all'interno della vasca. Pulire la vasca con un getto d'acqua moderato. Lavare le superfici esterne, quando sono fredde con prodotti non abrasivi appositamente formulati per la manutenzione dell'acciaio.

**NOTA:** Non lavare l'apparecchio con getti diretti o ad alta pressione poiché eventuali infiltrazioni ai componenti elettrici potrebbero pregiudicare il regolare funzionamento dell'apparecchio e dei singoli sistemi di sicurezza, pena la decadenza della garanzia.

## CAP.5 MANUTENZIONE

### 5.1 REGOLE GENERALI

Le macchine sono progettate per ridurre al minimo le esigenze di manutenzione. Le regole che seguono devono essere rispettate in tutti i casi al fine di garantire una lunga durata ed un funzionamento senza inconvenienti.

In ogni caso, dovranno essere rispettate alcune regole generali per tenere le macchine in perfetto ordine di marcia:

- tenere la macchina pulita ed in ordine
- evitare che le riparazioni provvisorie o d'urgenza diventino sistematiche

La rigorosa osservanza delle regole di manutenzione periodica è estremamente importante; tutti gli organi della macchina devono essere regolarmente controllati al fine di evitare che si verificano eventuali anomalie prevedendo così i tempi necessari per l'eventuale intervento di manutenzione.



**Prima di effettuare le operazioni di pulizia staccare l'alimentazione elettrica all'apparecchiatura.**

## **5.2 MANUTENZIONE PERIODICA (da effettuarsi minimo ogni 20 giorni)**

Per agevolare le operazioni che seguono può essere tolto dalla propria sede il telaio portacestelli.

- Smontare i bracci di risciacquo superiore ed inferiore, svitando il nottolino di fissaggio.
- Pulire tutti gli spruzzi da eventuali ostruzioni e rimontarli al loro posto.
- Smontare i bracci di lavaggio superiore ed inferiori svitando il perno di risciacquo pulirli e risciacquarli.
- Togliere il filtro pompa di lavaggio pulirlo e risciacquarlo.
- Quindi pulire con molta cura la vasca di lavaggio.
- Lasciare la cappotta dell'apparecchio aperta per tutto il periodo di riposo.
- A causa dei sali di calcio e di magnesio presenti nell'acqua, dopo un certo periodo di funzionamento, variabile in funzione alla durezza dell'acqua, sulle superfici interne della vasca del boiler e delle tubazioni si forma un incrostazione calcarea che può pregiudicare il buon funzionamento dell'apparecchio.
- Si dovrà pertanto provvedere alla periodica disincrostazione, che si consiglia di far eseguire da personale tecnicamente qualificato.
- Qualora l'apparecchio dovesse rimanere inattivo per un lungo periodo, oliare le superfici in acciaio con olio di vasellina.
- Nel caso di pericolo di formazione di ghiaccio, fare scaricare, da personale tecnicamente qualificato l'acqua dal boiler e dalla pompa di lavaggio.
- **In caso di malfunzionamento o di guasti, rivolgersi esclusivamente ad un centro di assistenza tecnica autorizzato dal costruttore dell'apparecchiatura o dal suo Concessionario.**



## **CAP.6 SMANTELLAMENTO**

### **6.1 SMANTELLAMENTO DELLA MACCHINA**

Sulle nostre macchine non esistono materiali che richiedono particolari procedure di smaltimento.

---

**INDÍCE**

<b>CAP.1</b>	<b>INTRODUCCIÓN</b> .....	<b>51</b>
<b>CAP.2</b>	<b>INSTALACIÓN</b> .....	<b>51</b>
2.1	MANEJO Y DESEMBALAJE .....	51
2.2	CONEXIÓN ELÉCTRICA .....	52
2.3	CONEXIÓN HIDRÁULICA .....	52
2.4	CONEXIÓN AL DESAGÜE .....	53
2.5	REGULACIONES Y CONTROLES.....	53
2.6	DOSIFICADOR ABRILLANTADOR .....	53
2.7	DETERGENTE .....	54
<b>CAP.3</b>	<b>RECOMENDACIONES DE SEGURIDAD</b> .....	<b>54</b>
3.1	RIESGOS RESIDUALES Y ADVERTENCIAS .....	54
3.2	DISPOSITIVOS DE SEGURIDAD .....	55
<b>CAP.4</b>	<b>USO DE LA MÁQUINA</b> .....	<b>56</b>
4.1	DESCRIPCIÓN DE LOS MANDOS.....	56
4.1.1	DESCARGA AUTOMÁTICA AGUA EN LA PILETA (OPCIONAL) .....	56
4.2	UTILIZACIÓN DE LA MAQUINA .....	58
4.3	OPERACIONES DE CONCLUSIÓN .....	58
<b>CAP.5</b>	<b>MANUTENCION</b> .....	<b>59</b>
5.1	NORMAS GENERALES.....	59
5.2	MANUTENCIÓN PERIÓDICA (hay que efectuarla como mínimo cada 20 días).....	60
<b>CAP.6</b>	<b>DESARME</b> .....	<b>60</b>
6.1	DESARME DE LA MÁQUINA.....	60

---



## CAP.1 INTRODUCCIÓN

Las observaciones de este manual contienen indicaciones importantes referentes a la seguridad de las distintas fases: la instalación, el empleo y la manutención.

El usuario tendrá que leer obligatoriamente el presente manual antes de empezar cada operación concerniente al movimiento, la instalación, el uso, la manutención y el apagado de la misma máquina; así pues es necesario conservarlo íntegramente en el tiempo, colocándolo en un sitio seguro y realizar diversas copias para su frecuente consultación.

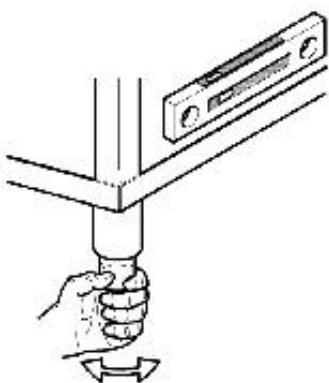
## CAP.2 INSTALACIÓN

### 2.1 MANEJO Y DESEMBALAJE

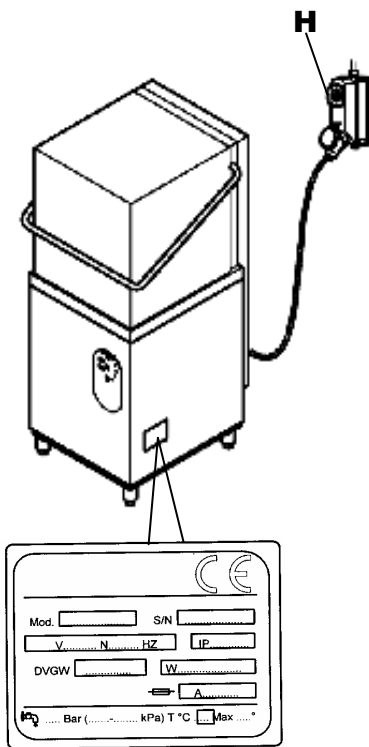


- El manejo debe realizarse con gran cuidado por medio de una máquina elevadora.
- Verificar la integridad del aparato, y, en el caso de daños visibles, informar inmediatamente al vendedor y al transportista que haya efectuado el transporte. En caso de duda no utilizar el aparato hasta que no haya sido controlado por el personal especializado.
- Transportar la máquina al lugar previsto para su ubicación y desembalarla.


**Los elementos del embalaje (bolsas de plástico, poliuretano expandido, clavos, etc....) no deben dejarse al alcance de los niños, pues constituyen un peligro potencial.**



- La instalación debe ser realizada según las instrucciones del constructor y por el personal profesionalmente calificado.
- Este aparato está apto únicamente por una conexión fija.
- Posicionar el aparato teniendo en cuenta que debe quedar perfectamente nivelado regulando las patas.
- La pavimentación deberá tener en cuenta el peso global del aparato.
- Siguiendo las indicaciones del esquema de la instalación del aparato disponer, en la zona de lavado, las instalaciones de alimentación eléctrica, abastecimiento hídrico y desagüe.



## 2.2 CONEXIÓN ELÉCTRICA

1. La conexión a la red se efectuará mediante un interruptor general (H) Debe ser de tipo omnipolar, que interrumpa todos los contactos, incluido el neutro, con una distancia entre los contactos abiertos de almenos 3 mm., con desconexión magnetotérmica de seguridad o acoplado a fusibles en grado de soportar la corriente máxima indicada en la placa.
2. Asegurarse que la tensión y la frecuencia a la red eléctrica correspondan a las de la placa que contiene las características técnicas y que se encuentra en el lado derecho del aparato.
3. Una eficaz conexión a tierra, obligatoria según las normas de prevención en vigor, es una garantía de seguridad para el usuario y el aparato.
4. Está totalmente prohibido el uso de adaptadores, tomas múltiples y alargadores.
5. El aparato debe incluirse además en un sistema equipotencial, cuya conexión se realice mediante un tornillo indicado con el símbolo.  El conductor equipotencial debe tener una sección de 10 mm<sup>2</sup>.



El cable de alimentación, en dotación, solamente podrá substituirse por otro del mismo espesor de tipo HR7RN-F.

Para mayor información consultar el esquema eléctrico anexo.

## 2.3 CONEXIÓN HIDRÁULICA

Preparar el local según el esquema hidráulico anexo.

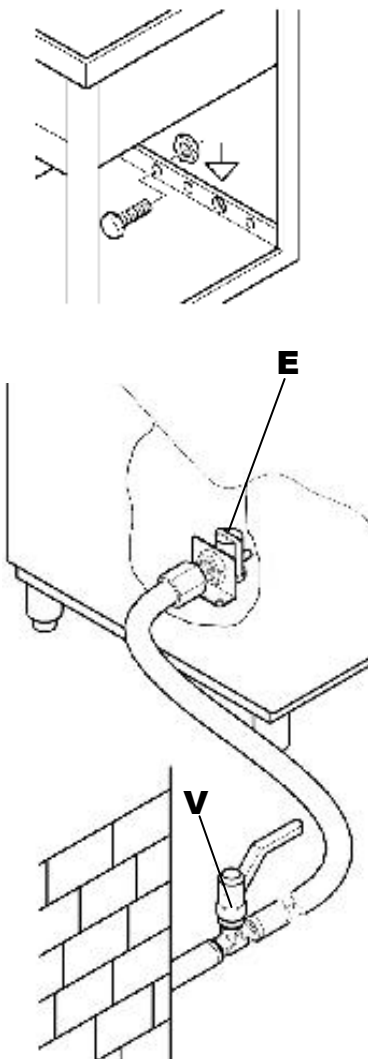
Antes de conectar el aparato, asegurarse que entre la red de alimentación hidráulica y el aparato se haya intercalado una válvula a compuerta para poder cortar la alimentación en caso de necesidad o reparación.

Mediante un tubo flexible conectar la electroválvula (E) de cargo a la válvula a compuerta (V), comprobando que la capacidad de alimentación no sea inferior a 20l/min.

**Asegurarse que la temperatura y presión del agua de la alimentación corresponda a lo referido en la placa de las características técnicas.**

En el caso de que la dureza del agua fuese superior a la indicada en el cuadro, se aconseja instalar una descalcificadora arriba en la electroválvula de alimentación de la máquina.

En el caso de concentración muy elevada en el agua de residuos minerales de alta conducibilidad, aconsejamos una instalación de un desmineralizador tarado para obtener una dureza residua como en el cuadro.



	<b>Características</b>		<b>Desde</b>	<b>Hasta</b>
Dureza	Grados franceses	f	5	10
	Grados alemanes	°dH	4	7'5
	Grados ingleses	°e	5	9,5
	Partes de millón	ppm	70	140
Minerales residuos	Máximo	mg/l	300/400	

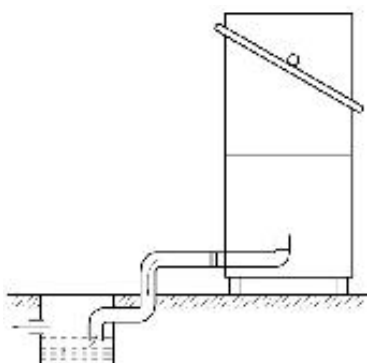


## 2.4 CONEXIÓN AL DESAGÜE

Teniendo en cuenta que el vaciado de la cuba se efectúa por gravedad, el desagüe debe estar situado en un nivel inferior al de la base de la máquina.

El tubo del desagüe debe conectarse mediante una tubería flexible a un sumidero o arqueta sifónica escabada en el suelo.

Las dimensiones del desagüe de la máquina se encuentran en el esquema de la instalación.



## 2.5 REGULACIONES Y CONTROLES

La temperatura del tanque de lavado está regulada, por un termostato fijo, a 55° C aproximadamente. Dicha temperatura favorece la correcta explotación de las características químicas de los detergentes para lavado industrial. La temperatura del calentador de agua, regulada por un termostato fijo, es de 85° C aproximadamente.



## 2.6 DOSIFICADOR ABRILLANTADOR

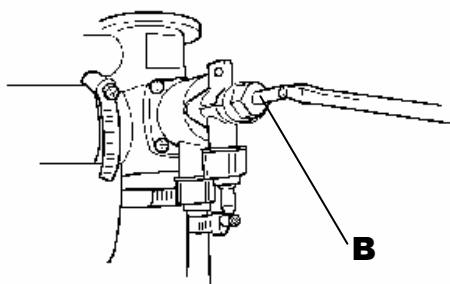
Para efectuar la regulación es necesario actuar sobre la virola (B) situada al centro del dosificador, y girandola en el sentido horario o antihorario se obtiene respectivamente la reducción o el aumento de la cantidad suministrada.

**El dosificador no debe funcionar o quedar en seco.**

Una dosis excesiva de agente brillantador causa estriaciones azules en la vajilla y la formación de espuma en el tanque de lavado.

En caso de que existan concentraciones muy altas de minerales residuales en el agua o conductividad elevada, aconsejamos de instalar una planta de desmineralización ajustada para lograr una dureza residual.

**7cm. de tubo = 1 gr. de producto**





## 2.7 DETERGENTE

### Aparato sin dosificador de detergente

Introducir el detergente en la cuba según la dosis recomendada por el fabricante. Tal cantidad, dependiendo del tipo de detergente, puede oscilar entre los 2 y 4 gr./l de agua contenida en la cuba. El detergente se añade cada 5 lavados en la cantidad recomendada por el proveedor del detergente.

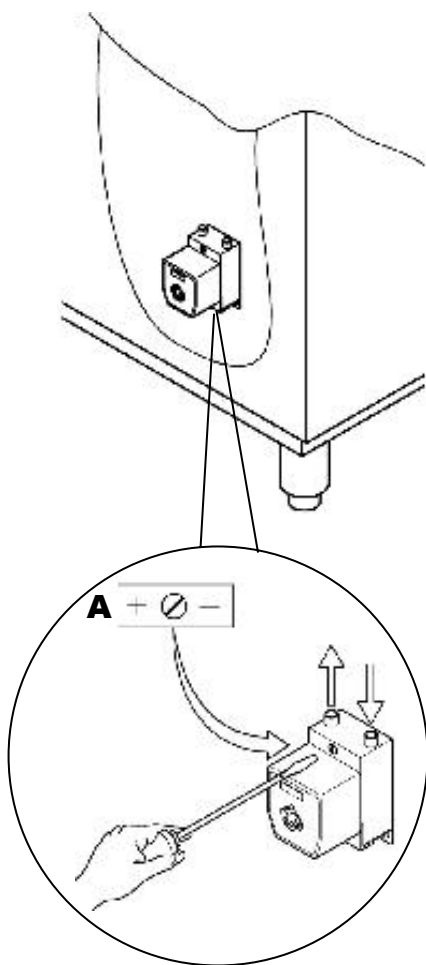
Las cantidades arriba indicadas equivalen a una dureza de la media del agua de 5-10° F (grados franceses).

### Aparato con dosificador de detergente (optional)

#### Regulación

Actuando sobre el trimmer (A) se determina el tiempo del encendido/apagado y consecuentemente la cantidad de detergente.

- Girando el temporizador en el sentido horario o antihorario se obtendrá respectivamente la reducción o el incremento de la cantidad emitida.
- Para terminar la regulación es necesario evaluar los resultados de algunos lavados.



#### ADVERTENCIA:

El nivel del recipiente no debe jamás estar vacío ni ser rellenado con productos corrosivos o impuros.

La garantía no cubre los daños producidos por una mala utilización del dosificador.

## CAP.3 RECOMENDACIONES DE SEGURIDAD



### 3.1 RIESGOS RESIDUALES Y ADVERTENCIAS

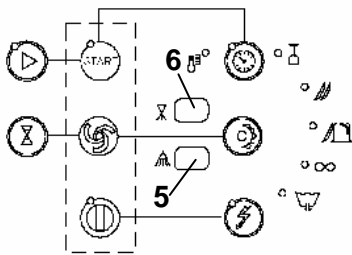
- No abrir velozmente la puerta de la máquina si no ha acabado el ciclo.
- No sumergir las manos sin guantes en las soluciones de lavado.
- No remover los paneles máquina si antes no se ha desconectado la alimentación.
- El personal especializado que efectúa la instalación y la conexión eléctrica, debe instruir adecuadamente al usuario acerca del funcionamiento del aparato y de las eventuales medidas de seguridad que debe respetar.
- El instalador tendrá además que dar al usuario demostraciones prácticas sobre el modo de empleo y tendrá que entregar las relativas instrucciones escritas que se adjuntan al aparato mismo.
- **Este aparato tendrá que ser destinado sólo al empleo para el cual ha sido expresamente concebido. Cualquier otro empleo debe considerarse impropio y por lo tanto peligroso.**
- Jamás utilizar la máquina sin protecciones (microinterruptores, paneles u otro) predispuestas por el constructor.

- La eventual reparación de la máquina tendrá que ser efectuada sólo por la casa constructora o por un centro de asistencia autorizado utilizando exclusivamente repuestos originales.
- No respetar los puntos precedentes puede comprometer la seguridad del aparato.
- La máquina no tiene que quedar en tensión cuando no viene utilizada.
- Utilizar las cestas adecuadas para platos y/o vasos.
- No dejar la máquina expuesta a agentes atmosféricos.
- No poner en función la máquina si no está conectada correctamente a la línea eléctrica e hídrica, con todos los dispositivos de seguridad como: voltaje, frecuencia y corte fusibles como indicados en los datos de placa.
- El técnico tiene la obligación de controlar la buena eficiencia de la tierra.
- El técnico instalador tiene la obligación de dejar una declaración escrita respecto a la correcta instalación y prueba según cada normativa y regla de arte.

**ADEMÁS ES IMPORTANTE SABER QUE:**

Durante el empleo...

1. Jamás poner en función el ciclo sin: el filtro y el tapón “demasiado lleno” en la cuba.
2. Antes de vaciar la máquina acordarse de desconectar la línea eléctrica.
3. Jamás acercar objetos magnéticos a la máquina, podría arrancar con la puerta abierta.
4. Jamás utilizar la puerta como superficie de apoyo.
5. No lavar la máquina con chorros de agua directos.
6. La máquina no puede ser utilizada por personal no autorizado y adecuadamente instruido o capaz de poder ser instruido.
7. No accionar el ciclo lavado durante la descarga.
8. Si se nota un mal funcionamiento o pérdidas de agua de la máquina, apagar enseguida la máquina



**3.2 DISPOSITIVOS DE SEGURIDAD**

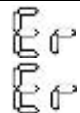


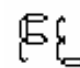


La tarjeta es capaz de reconocer, diversas situaciones de avería.

Los funcionamientos defectuosos vienen evidenciados fácilmente por los mensajes del display (5 y 6) y por la interrupción de las eventuales funciones en curso sólo en los casos (1 y 3) abajo indicados. ¡ATENCIÓN! El apagado y el sucesivo encendido de la máquina “restablece” la señal, que se presentará sucesivamente si no ha sido solucionado el problema.

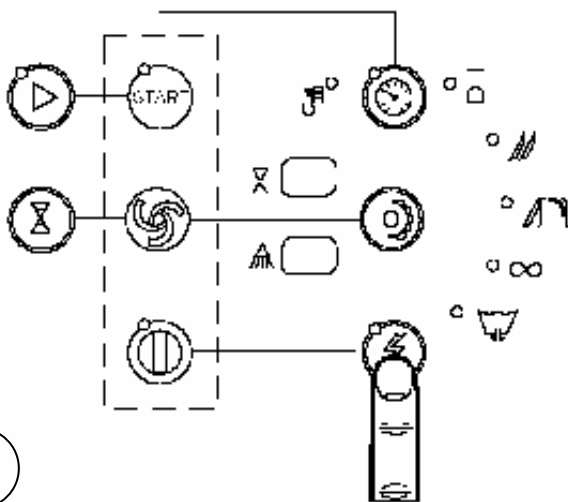
Mensaje visualizado por los display

	<b>ANOMALIA RISCONTRATA:</b>	<b>Calentador Eléctrico (6)</b> ▼	<b>Pileta (5)</b> ▲
<b>1</b>	<b>FALLIDO LLENADO O DESBORDAMIENTO AGUA EN LA PILETA</b> (si transcurrido un tiempo ≥ 10 min. se ha obtenido el correcto nivel en la pileta).	Er	04
<b>2</b>	<b>AVERÍA SONDAS CALENTADOR ELÉCTRICO</b> (si la sonda no está correctamente conectada o dañada) (si la sonda está en corto circuito o dañada)	Er Er	07 08
<b>3</b>	<b>SOBRETENPERATURA</b> (Temperatura excesiva calentador eléctrico y pileta) (intervención termostato seguridad)	HI SA	HI FE
<b>4</b>	<b>ENJUAGUE</b> (Enjuague no efectuado) (Enjuague presión insuficiente) (Enjuague presión excesiva)	Er Pr Pr	01 01 02

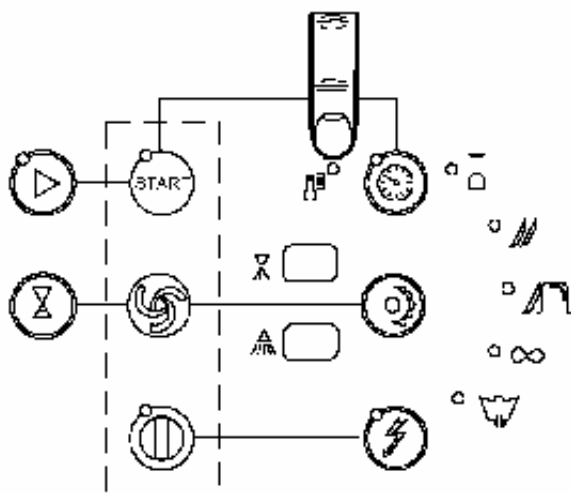


<p><b>5</b></p>	<p><b>AVERÍA SONDAS PILETA</b>                  (si la sonda no está correctamente conectada o dañada)                  (si la sonda está en corto circuito o dañada)</p>		
<p><b>7</b></p>	<p><b>NIVEL MAXIMO DE SEGURIDAD</b>                  (El mensaje aparece cuando el agua alcanza en la cuba el nivel máximo de seguridad y por encima del cual se puede producir un derrame. Por tanto la máquina bloquea todas las funciones y activa la bomba eléctrica para el vaciado).                  Apague y prenda nuevamente la máquina.  <b>Si el problema se sigue presentando, contacte un centro de asistencia.</b></p>		
<p><b>8</b></p>	<p><b>NO SE PRODUCE EL VACIADO</b>                  El mensaje aparece cuando hay un problema en la bomba eléctrica y o en los conductos de desagüe.                  Apague y prenda nuevamente la máquina, si el problema se sigue presentando contacte un centro de asistencia.  <b>Nota: La máquina permite realizar ciclos de lavado y enjuague mientras no alcance el nivel máximo de seguridad, luego aparecerá el mensaje SAFL.</b></p>		

1



2



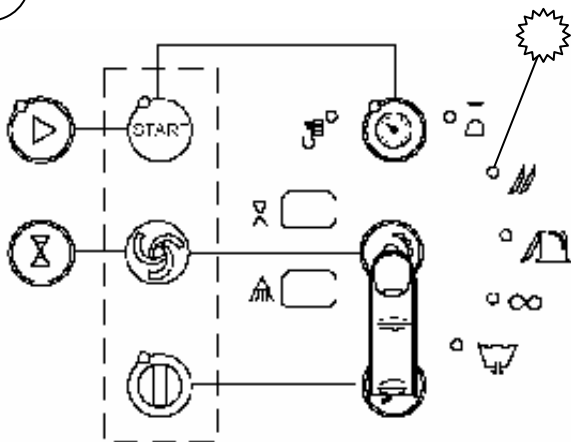
**CAP.4 USO DE LA MÁQUINA**

**4.1 DESCRIPCIÓN DE LOS MANDOS**

1. Para encender la máquina apretar la tecla al lado indicada (el indicador luminoso correspondiente se ilumina).

2. Cuando la luz indicadora se enciende la máquina está lista para el uso.

3



3. Apretar la tecla indicada al lado para seleccionar el ciclo



Ciclo breve

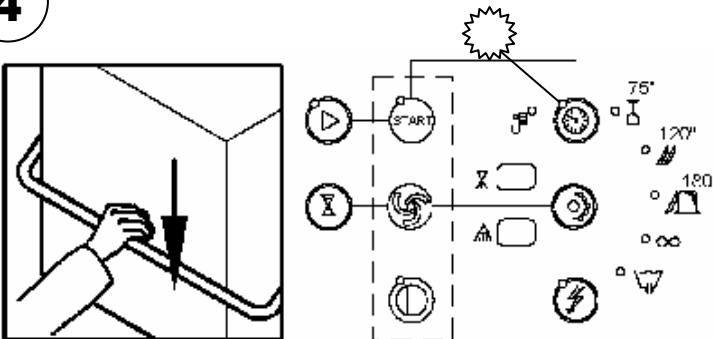
Ciclo medio

Ciclo intensivo

La luz indicadora se enciende con relación al producto seleccionado.

**Nota: elegir el programa "∞" para efectuar lavados prolongados.**

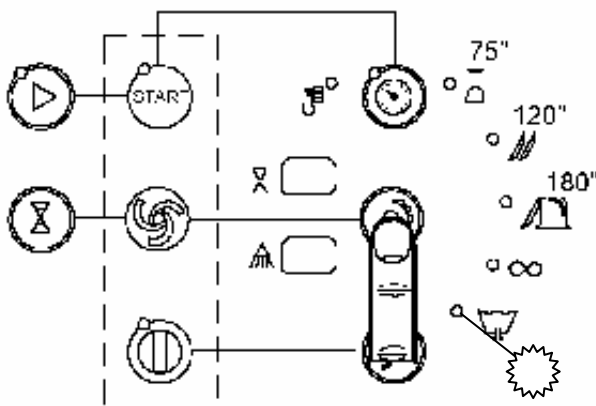
4



4. Apretar la tecla al lado indicada y cerrar la puerta, la máquina parte automáticamente. Para los sucesivos lavados será suficiente bajar la puerta.

**N.B.:** Para interrumpir el lavado "∞" apretar la tecla, (para efectuar nuevos programas de lavado repetir la secuencia n°3).

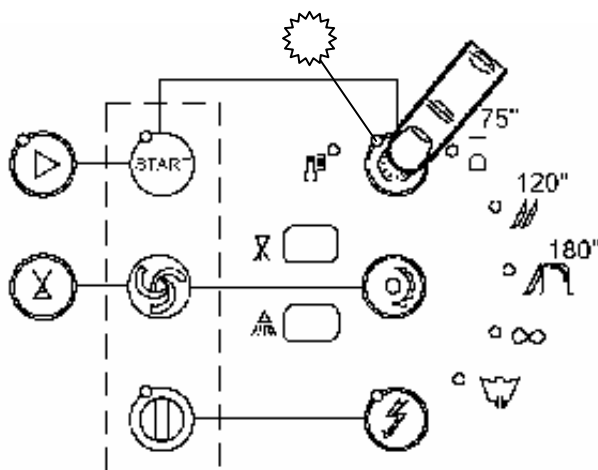
1



#### 4.1.1 Vaciado automático agua en la cuba (opcional).

1. Apretar la tecla indicada al lado y seleccionar el programa de descarga (el indicador luminoso correspondiente se ilumina).

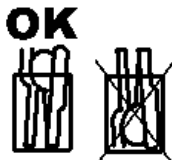
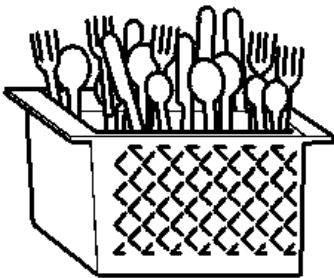
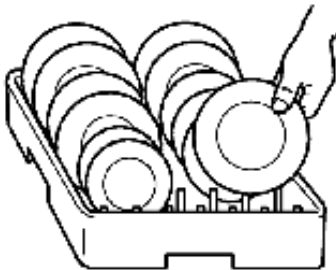
2



- 2 Presione el botón indicado al lado y la máquina realiza en forma automática el vaciado del agua de la cuba.

En los modelos con recambio parcial del agua la máquina realiza durante el vaciado el lavado automático de la cuba.

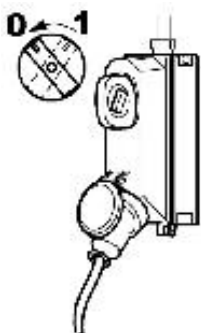
## 4.2 UTILIZACIÓN DE LA MAQUINA



- Siguiendo las instrucciones del constructor, se introduzca la cantidad necesaria de detergente en el tanque de lavado
- El detergente tiene que ser de tipo industrial, de espuma frenada.
- No poner las manos desnudas en la lejía de lavado, se pongan las tazas y los vasos volcados en los canastillos. Insértense los platos en el canastillo al efecto, que está dotado de dedos de apoyo, con la superficie interior dirigida hacia arriba.
- Colóquense los cubiertos y las cucharillas de café con los mangos dirigidas hacia abajo.
- No se deben colocar cubiertos de plata y de acero inoxidable en el mismo canastillo portacubiertos. El resultado sería que la plata quedaría bruida y el acero inoxidable probablemente corroído.
- Empléense los canastillos específicos expresamente estudiados para las distintas clases de vajilla (platos, vasos, tazas, cubiertos, etc.). Para ahorrar detergente y energía eléctrica, lávense solamente canastillos completos, pero sin sobrecargarlos. Evítese cualquier superposición de vajilla.

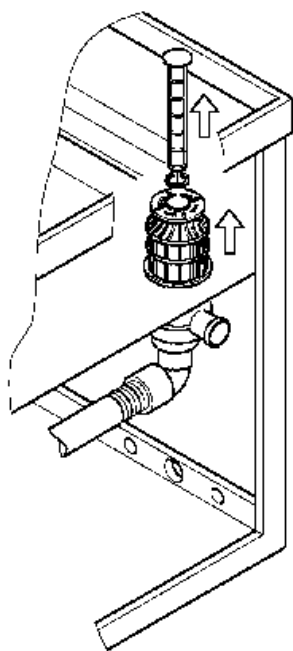
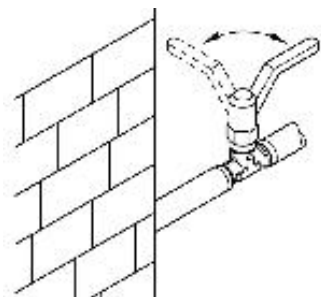
Para reducir la manutención al mínimo, **SE RECOMIENDA LA LIMPIEZA PREVIA** de la vajilla. La remoción de restos de comida, cáscaras de limón, palillos, huesos de aceituna, etc., que podrían atascar parcialmente el filtro de la electrobomba, disminuyendo la eficacia del lavado, mejorará de manera considerable la calidad del resultado final.

Es aconsejable lavar la vajilla antes que los restos de comida puedan secarse en su superficie. Caso de haber suciedad endurecida, será oportuno mojarla previamente, antes de introducir vajilla y cubiertos en el aparato.



## 4.3 OPERACIONES DE CONCLUSIÓN

- Desconectar el lavavajillas
- Levantar la capa y retirar la cesta con la vajilla limpia.
- Descargar el agua del depósito levantando el demasiadolleno. Para los modelos de bomba de descarga apoyarse en las operaciones descritas en el párrafo «Instrucciones de uso».



- Desconectar el interruptor general del aparato.
- Cerrar la válvula a cortina para la conexión hidráulica.
- Quitar los filtros y limpiarlos debajo de un chorro de agua con un cepillo de nylon.
- Cuidar que no caigan dentro del depósito los restos de basura depositados en el fondo del filtro de la bomba de descarga. Aclarar el depósito con un chorro moderado de agua. Lavar las superficies externas cuando se enfrien con productos no abrasivos para la conservación del acero.

**NOTA:** No lavar el lavavajillas con chorros directos o a alta presión porque pueden dañar los componentes eléctricos al infiltrarse el agua, pudiendo perjudicar el buen funcionamiento del aparato y de los sistemas de seguridad, perdiendo así el derecho a la garantía.

## CAP.5 MANUTENCION

### 5.1 NORMAS GENERALES

Las máquinas se han proyectado para reducir al mínimo las necesidades de manutención. Se tienen que respetar siempre las reglas que van a continuación para garantizar una mayor duración y un funcionamiento sin inconvenientes.

Además se tienen que respetar algunas reglas generales para mantener las máquinas en perfecto orden de marcha:

- mantener la máquina limpia y en orden
- evitar que las reparaciones provisionales o de urgencia lleguen a ser sistemáticas

La rigurosa observancia de las reglas de manutención periódica es extremadamente importante; hay que controlar regularmente todos los órganos de la máquina para evitar que se ocasionen eventuales averías, previendo de esta manera los tiempos y los medios necesarios para realizar eventuales operaciones de manutención.

**Antes de efectuar las operaciones de limpieza desconectar el aparato de la alimentación eléctrica.**

## 5.2 MANUTENCIÓN PERIÓDICA (hay que efectuarla como mínimo cada 20 días)

Para facilitar las operaciones siguientes se puede quitar el armazón apoyacestos.

- Desmontar los brazos del aclarado superior e inferior, desenroscando el seguro que lo fija.
- Desatornillense y límpiense todos los rociadores y se vuelvan a montar en su sitio.
- Desmontar los brazos del lavado superior e inferior desenroscando el perno del aclarado limpiarlos y aclararlos.
- Quítese el filtro de la bomba de lavado, límpiense y enjuáguese.
- A continuación, límpiense con mucha atención el tanque de lavado.
- Déjese abierta la tapa del aparato durante todo el tiempo de descanso.
- Como consecuencia de las sales de calcio y de magnesio existentes en el agua, después de cierto periodo de funcionamiento, que varía según el grado de dureza del agua, en las superficies interiores del tanque, del calentador de agua y de las tuberías se forma una incrustación de cal que puede perjudicar el buen funcionamiento del aparato.
- Por lo tanto se tendrá que desprender periódicamente las incrustaciones, un trabajo que se aconseja de confiar a personal técnicamente calificado.
- Caso de que el aparato tuviera que quedar parado durante largo tiempo, hay que lubricar las superficies de acero con aceite de vaselina.
- Caso de haber peligro de formación de hielo, hágase además vaciar, por personal técnicamente calificado, el agua del calentador y de la bomba de lavado.
- **En caso de funcionamiento anómalo o de averías, hay que dirigirse única y exclusivamente a un centro de asistencia técnica autorizado por el constructor del aparato o por su Concesionario.**



## CAP.6 DESARME

### 6.1 DESARME DE LA MÁQUINA

Nuestras máquinas se construyen con materiales que no requieren especiales procedimientos para su eliminación.

---

**SUMÁRIO**

<b>CAP.1</b>	<b>PREFACÇÃO.....</b>	<b>63</b>
<b>CAP.2</b>	<b>INSTALAÇÃO.....</b>	<b>63</b>
2.1	MOVIMENTAÇÃO E DESEMBALAGEM.....	63
2.2	LIGAÇÃO ELÉTRICA.....	64
2.3	LIGAÇÃO HIDRAULICA.....	64
2.4	CONEXÃO À REDE DE DESCARGA.....	65
2.5	REGULAGEM E CONTROLES.....	65
2.6	DOSAGEM DO CLARIFICADOR.....	65
2.7	DETERGENTE.....	66
<b>CAP.3</b>	<b>RECOMENDAÇÕES DE SEGURANÇA.....</b>	<b>66</b>
3.1	RISCOS E INDICAÇÕES.....	66
3.2	DISPOSITIVOS DE SGURANÇA.....	67
<b>CAP.4</b>	<b>UTILIZAÇÃO DA MÁQUINA.....</b>	<b>68</b>
4.1	DESCRIÇÃO DOS COMANDOS.....	68
4.1.1	DESCARGA AUTOMÁTICA DAÁGUA NO TANQUE (OPCIONAL).....	68
4.2	USO DA MÁQUINA.....	70
4.3	OPERAÇÕES DE FIM SERVIÇO.....	70
<b>CAP.5</b>	<b>MANUTENÇÃO.....</b>	<b>71</b>
5.1	REGRAS GERAIS.....	71
5.2	MANUTENÇÃO PERIODICA (deve ser feita no mínimo cada 20 dias).....	71
<b>CAP.6</b>	<b>DESMANTELAMENTO.....</b>	<b>72</b>
6.1	DESMANTELAMENTO DA MÁQUINA.....	72

---



## CAP.1 PREFACÇÃO

As advertências neste manual fornecem importantes indicações acerca da segurança da instalação, o uso e a manutenção. Aconselha-se ler atentamente estas recomendações antes de ligar a máquina e a observá-las cuidadosamente; Guarde com cuidado este manual para qualquer ulterior consultação dos operadores.

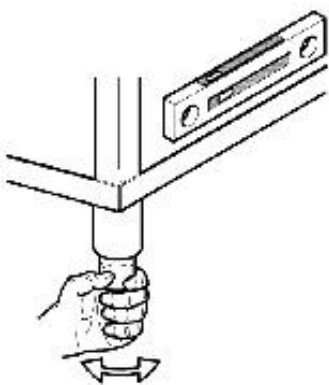
## CAP.2 INSTALAÇÃO

### 2.1 MOVIMENTAÇÃO E DESEMBALAGEM



- Movimente as máquinas com muito cuidado por meio dum carro elevador.
- Verificar a integridade do aparelho. Caso houver estragos visíveis, informar imediatamente o vendedor e o transportador que efetuou o transporte. Em caso de dúvida, recomenda-se não utilizar o aparelho até que o mesmo não for controlado por pessoal especializado.
- Transportar a máquina para o local previsto para a sua instalação, retirando a embalagem.

**Os elementos da embalagem (saquinhos de plástico, espuma de poliestireno, pregos, etc.) não devem ser deixados ao alcance das crianças por constituírem fonte de potencial perigo.**

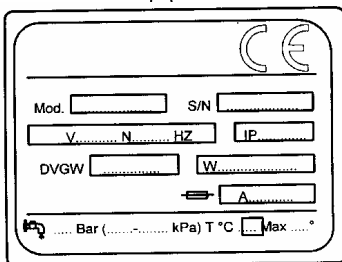
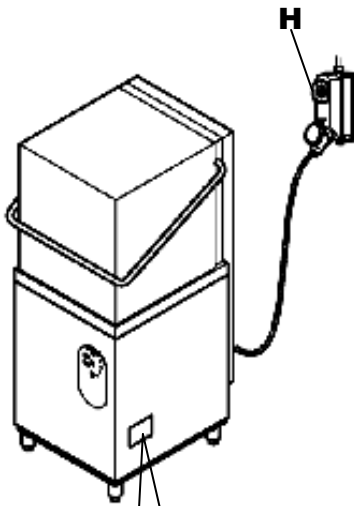


- A instalação deve ser efectuada de acordo com as instruções do construtor e por pessoal profissionalmente qualificado.
- Este aparelho foi projetado para funcionar somente com uma ligação fixa.
- Atarraxe nos suportes da máquina os pés e colocá-la na correcta posição e nivelá-la atarraxando ou desatarraxando os pés.
- A pavimentação deve levar em conta o peso global da máquina
- Seguindo as indicações enunciadas no esquema dimensional da máquina, preparar, no local de lavagem, as instalações de alimentação eléctrica, de abastecimento hídrico e esvaziamento.





## 2.2 LIGAÇÃO ELETRICA

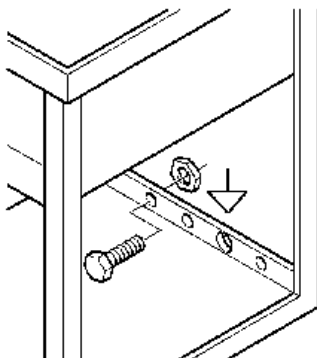


1. A conexão à rede deve ser efectuada por meio dum interruptor geral (H) deve ser do tipo omipolar, que interrompe todos os contatos inclusive o neutro, com a distância entre os contatos abertos de pelo 3mm, com disparo do disjuntor termomagnético de segurança ou acoplado com fusíveis e capaz de suportar a corrente como indicadas na placa da máquina.
2. Antes de juntar o aparelho certifique-se de que tensão e frequência estejam correspondentes aos indicados na placa das características da máquina.
3. Antes de juntar a máquina com rede eléctrica certifique-se que não esteja tensão na linha de alimentação.
4. É rigorosamente proibido o uso de adaptadores, tomadas multiplas e extensoes.
5. Além disso a aparelhagem deve ser incluída num sistema equipotencial, cuja conexão se realiza por meio dum parafuso marcado pelo símbolo  $\nabla$ . O conductor equipotencial deve ter uma secção de 10 mm<sup>2</sup>.



O cabo de alimentação pode ser substituído somente por um outro de igual secção do género H07RN-F.

Para qualquer esclarecimento consulte a planimetria geral de instalação fornecida à parte.



## 2.3 LIGAÇÃO HIDRAULICA

Predispor o local de acordo com o esquema hidráulico em anexo

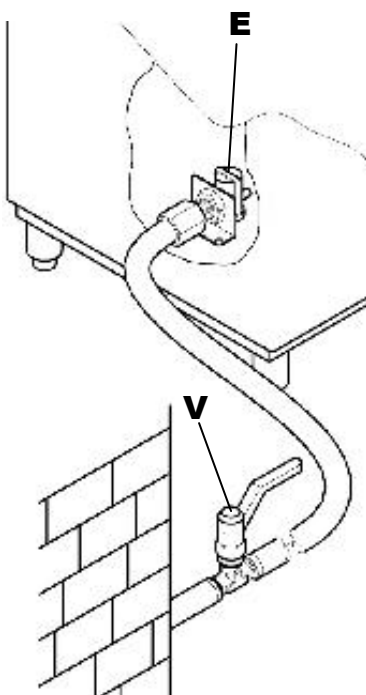
Antes de ligar o aparelho, controlar se entre a rede de alimentação hídrica e o aparelho foi interposta uma válvula de comporta que possibilite interromper a alimentação, se for preciso ou se houver a necessidade de consertos.

Por meio de um tubo flexível, ligar a electroválvula (E) de alimentação a torneira de alimentação (V). A capacidade da tubagem de alimentação da máquina não deverá ser inferior a 20 litros por minuto.

**Verificar se a temperatura da água de alimentação corresponde à recomendada na plaqueta das características.**

Caso a dureza da água resulte superior a de como tabela, aconselhamos a instalação de um descalcificador a juzante da válvula eléctrica de alimentação da máquina.

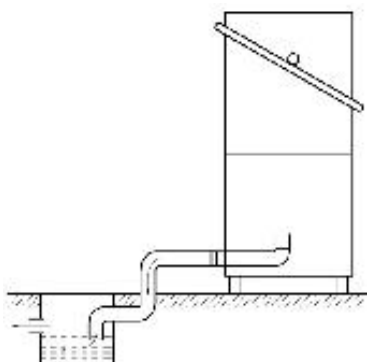
No caso de concentrações muito elevadas de minerais resíduos na água, ou de condutibilidades elevadas, aconselhamos a instalação de um equipamento de desmineralização ajustado para ter uma dureza resídua de como tabela.



	Características		Da	A
Dureza	Graus franceses	f	5	10
	Graus alemães	°dH	4	7'5
	Graus ingleses	°e	5	9,5
	Pound/ Squ. Inch	ppm	70	140
Minerais resíduos	Máximo	mg/l	300/400	



## 2.4 CONEXÃO À REDE DE DESCARGA



Sendo que o esvaziamento do tanque se dá pela gravidade, a descarga deve estar situada a um nível inferior em relação à base da máquina.

A cavilha de descarga deve ser ligada, por meio de um tubo flexível a um recipiente de recolha ou saída com sifão cavada no chão.

Pela posição dos descargos consulte a planimetria geral de instalação fornecida à parte.

## 2.5 REGULAGEM E CONTROLES



A temperatura do tanque de lavagem é regulada, por meio de um termostato fixo, em cerca de 55° C. Essa temperatura favorece o correcto aproveitamento das características químicas dos detergentes para a lavagem industrial.

A temperatura do aquecedor de água, regulada por um termostato fixo é de cerca de 85° C.



## 2.6 DOSAGEM DO CLARIFICADOR

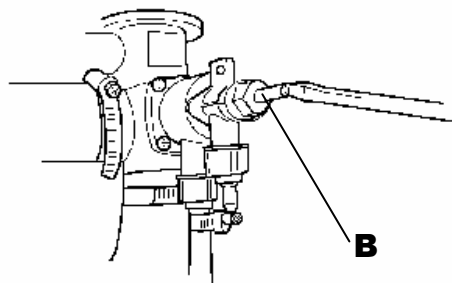
Será preciso, a esta altura, ajustar o parafuso (B) de regulagem do dosificador. Rodando esse parafuso em sentido horário ou anti-horário obter-se-á, respectivamente, a redução ou a aumento da quantidade fornecida.

**O dosificador não deve funcionar nem ficar seco.**

Uma dose excessiva de produto de enxágue provoca estrias azuladas na louça e ocasiona a formação de espuma no tanque de lavagem.

Louças cobertas de gotas de água e uma secagem demorada indicam, ao contrário, que a quantidade de produto de enxágue é insuficiente.

**7 cm de tubo = 1 g de produto**



**2.7 DETERGENTE****Maquina sem dosador de detergente**

De acordo com as instruções do fabricante, introduzir a quantidade prevista de detergente. Esta quantidade, dependendo o tipo de detergente, pode oscillar da 2 a 4 gr/lit na água contida no tanque. Junte o detergente acerca lavagens na quantidade aconselhada pelo fornecedor escolhido.

Este quantidade **supracitados** è a considerar para a **dureza da água** di 5-10°F (gradi francesi).

**Maquina com dosador de detergente****Programação**

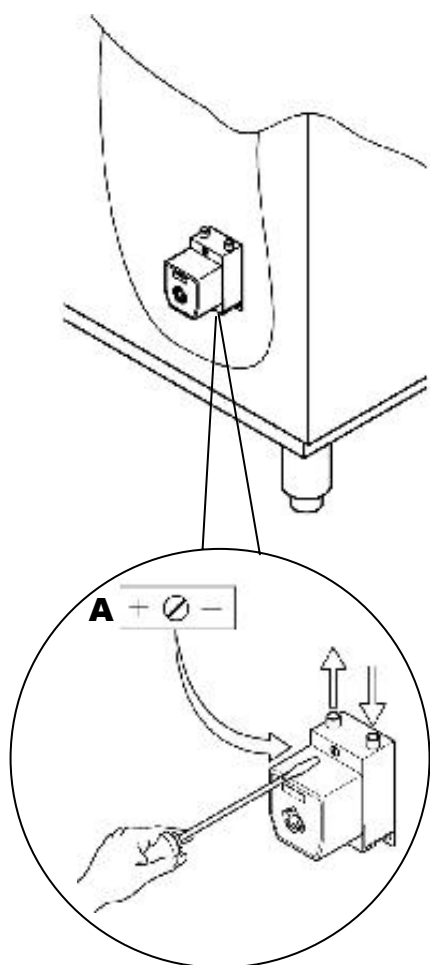
Mova o trimmer (A) determinando os intervalos de funcionamento e de pausa e de consequencia a quantidade de detergente.

- Gire o trimmer em senso horario se quiser mais detergente, caso contrario, gire em senso anti horario.
- Para terminar a programação avaliar o resultado de algumas lavagens.

**ATENÇÃO!**

Nunca esvazie o nivel do recipiente, nunca adicione produtos impuros ou corros; vos.

A garantia não cobre os danos consequentes d'um uso errado do doseador.

**CAP.3 RECOMENDAÇÕES DE SEGURANÇA****3.1 RISCOS E INDICAÇÕES**

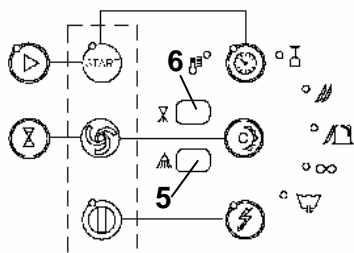
- Nunca abrir o capot da máquina rapidamente se esta não tiver terminado o ciclo.
- Nunca mergulhar as mãos sem luvas nas soluções de lavagem.
- Não remover os painéis da máquina se antes não tiver desligado a alimentação a montante.
- O pessoal especializado que efectuar a instalação e a ligação eléctrica deverá instruir adequadamente o utilizador em relação ao funcionamento do aparelho e às eventuais medidas de segurança a serem respeitadas.
- O instalador deverá também dar demonstrações práticas ao utilizador relativas ao modo de utilização e deverá entregar-lhe as relativas instruções escritas que são fornecidas junto com o aparelho.
- **Este aparelho deverá ser destinado somente ao uso para o qual foi expressamente concebido. Qualquer outro uso será considerado impróprio e, por consequência, perigoso.**
- Não utilizar jamais a máquina sem as protecções ( microinterruptores, painéis ou semelhantes) instalados pelo fabricante.
- Se for necessário reparar a máquina, esta operação poderá ser efectuada somente pela casa produtora ou por um centro de assistência autorizado utilizando exclusivamente peças originais.

- A não observação das indicações citadas acima poderá comprometer a segurança do aparelho.
- A máquina não deve ficar sob tensão quando não for utilizada.
- Utilizar os cestos específicos para pratos ou copos.
- Não deixar a máquina exposta aos agentes atmosféricos.
- Não ligar a máquina se esta não estiver conectada correctamente à linha eléctrica e hídrica, com todos os dispositivos de segurança como: voltagem, frequência e corte dos fusíveis como indicado na placa de dados.
- O técnico tem a obrigação de verificar a correcta eficiência da ligação à terra.

O técnico instalador tem a obrigação de fornecer uma declaração escrita relativa à correcta instalação e testes de aprovação em conformidade com as relativas normas de lei.

1. Nunca accionar o ciclo sem o filtro e a tampa de overflow no tanque.
2. Antes de esvaziar a máquina deve-se desligar a linha eléctrica.
3. Nunca aproximar objectos magnéticos à máquina, esta poderia accionar-se mesmo com o capot aberto.
4. Nunca utilizar o capot como plano de apoio.
5. Não lavar a máquina com jactos de água directos.
6. A máquina não pode ser utilizada por pessoal não autorizado e devidamente instruído ou capaz de poder ser instruído.
7. Não dar início ao ciclo de lavagem durante o escoamento.
8. Se notar um problema de funcionamento ou perdas de água da máquina, desligar imediatamente a mesma

### 3.2 DISPOSITIVOS DE SGURANÇA



A ficha é capaz de reconhecer várias situações de defeito.

Os maus funcionamentos são facilmente evidenciados pelas mensagens do display (5 e 6) e pela interrupção das eventuais funções em curso, apenas nos casos (1 e 3) abaixo indicados.

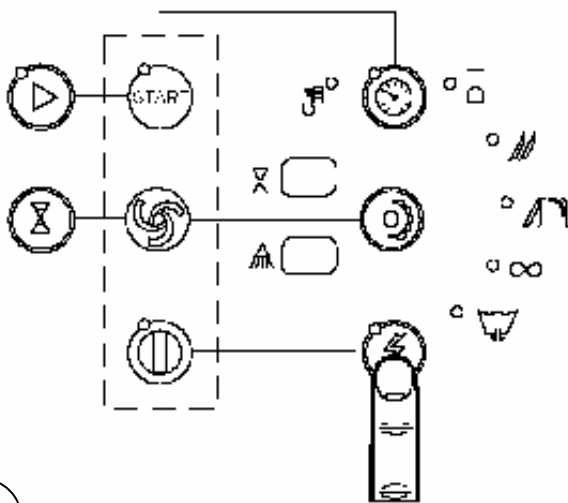
**ATENÇÃO!** O desligamento e a sucessiva acensão da máquina “reinicializa” a sinalização, que sucessivamente reaperresentar-se-á se não tiver sido resolvido o problema.

#### Mensagem Visualizada no Painel

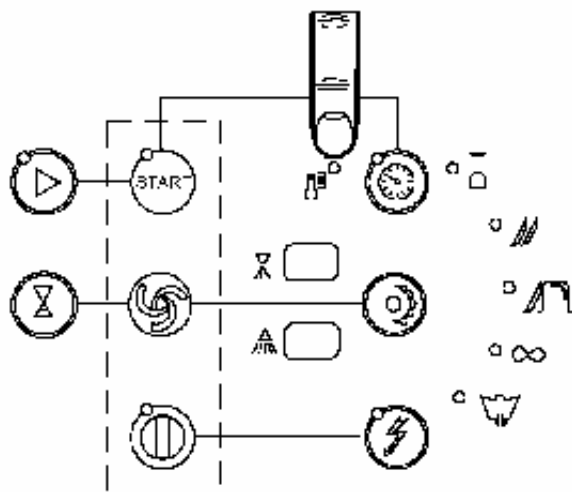
	<b>ANOMALIA ASSINALADA:</b>	<b>Boiler (6)</b>	<b>Recipiente (5)</b>
<b>1</b>	<b>NÍVEL DE ÁGUA INSUFICIENTE OU REFLUXO</b> (se após um tempo $\geq 10$ min. não for atingido o correto nível de água no recipiente)		
<b>2</b>	<b>DEFEITO SENSOR BOILER</b> (se o sensor não estiver corretamente conetado ou danificado) (se o sensor entrar em curto-circuito ou danificado)	 	 
<b>3</b>	<b>SUPERAQUECIMENTOS</b> (Temperatura excessiva boiler e recipiente) (Intervento termostato de segurança)	 	 
<b>4</b>	<b>REENXAGÜE</b> (Reenxagüe não realizado) (Reenxagüe com pressão insuficiente) (Reenxagüe com pressão excessiva)	  	  

<p><b>5</b></p>	<p align="center"><b>DEFEITO SENSOR RECIPIENTE</b></p> <p>(se o sensor não estiver corretamente conetado ou danificado) (se o sensor entrar em curto-circuito ou danificado)</p>	<p>Er Er</p>	<p>05 06</p>
<p><b>6</b></p>	<p align="center"><b>BOILER</b></p> <p>(Avaria da resistência do aquecedor de água) (Tempo excessivo de aquecimento)</p>	<p>Er</p>	<p>03</p>
<p><b>7</b></p>	<p align="center"><b>NÍVEL MÁXIMO DE SEGURANÇA</b></p> <p>(A mensagem surge quando a água do tanque atingir um nível máximo de segurança além do qual poderá ocorrer um transbordamento, a máquina bloqueará todas as funções e activará a electro-bomba de escoamento). Desligar e ligar a máquina. <b>Se o problema persistir, contactar um centro de assistência.</b></p>	<p>SA</p>	<p>EL</p>
<p><b>8</b></p>	<p align="center"><b>NÃO HOUE ESCOAMENTO</b></p> <p>A mensagem surgirá quando houver um problema com a electro-bomba de escoamento ou as condutas de escoamento. Desligar e ligar a máquina, se o problema persistir, contactar um centro de assistência. <b>Nota: A máquina permite efectuar ciclos de lavagem e enxaguamento enquanto não for atingido o nível máximo de segurança, portanto, será visualizada a mensagem SAFL.</b></p>	<p>Er</p>	<p>02</p>

**1**



**2**

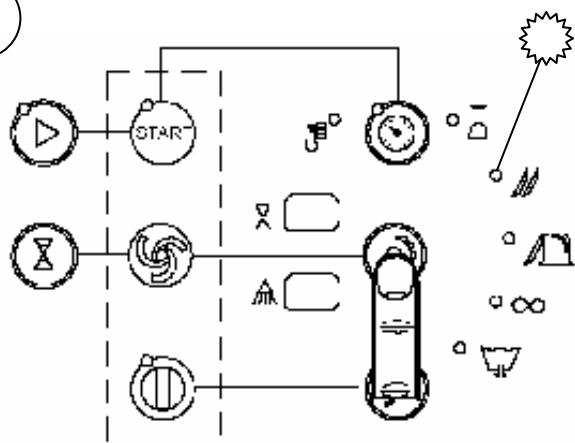


**CAP.4 UTILIZAÇÃO DA MÁQUINA**

**4.1 DESCRIÇÃO DOS COMANDOS**

1. Para ligar a máquina, pressionar a tecla indicada ao lado (a espia correspondente ilumina-se).
2. Quando a luz estiver acesa a máquina está pronta para uso.

3



3. Pressionar a tecla indicada ao lado para seleccionar o ciclo indicada.



Ciclo breve



Ciclo médio

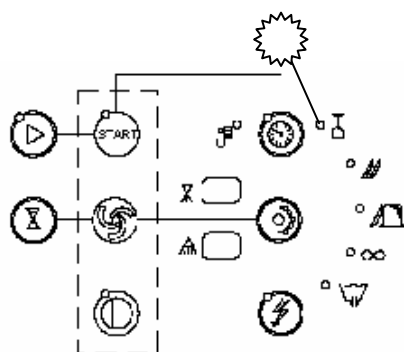
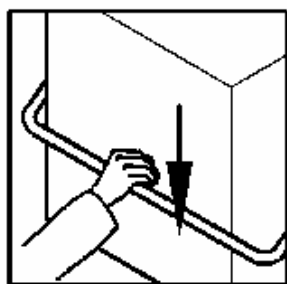


Ciclo longo

A luz se acende de acordo com o programa seleccionado.

**Observação:** escolher o programa “∞” para efetuar lavagens prolongadas.

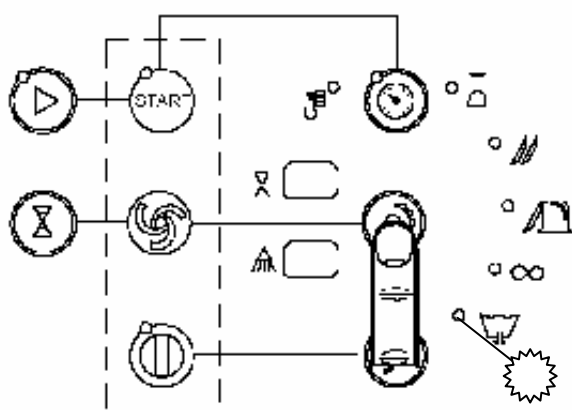
4



4. Pressionar a tecla indicada ao lado e fechar a tampa; a máquina iniciará a operação automaticamente. Para as lavagens sucessivas será suficiente apenas baixar a cobertura.

**Atenção:** Para interromper a lavagem do programa “∞” apertar o botão (para efetuar novos programas de lavagem repetir a seqüência n° 3).

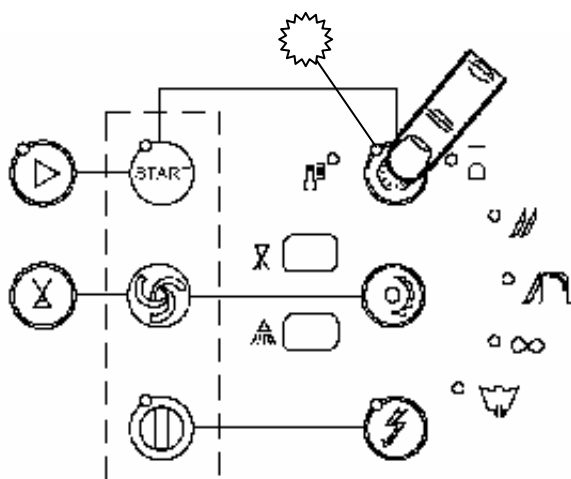
1



#### 4.1.1 Descarga automática da água no tanque (opcional).

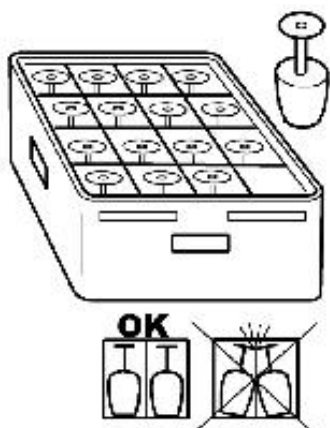
1. Pressionar a tecla indicada ao lado e seleccionar o programa de descarga (a espia correspondente acende-se)

2



2. Pressionar a tecla indicada ao lado e a máquina efectuará automaticamente o escoamento da água do tanque.

Nos modelos com troca parcial de água a máquina efectuará uma auto-lavagem do tanque durante o escoamento.

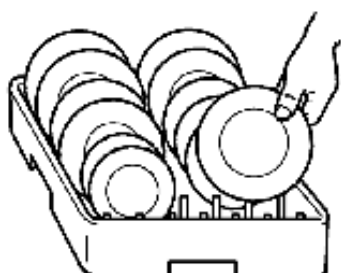
**4.2 USO DA MÁQUINA**

- De acordo com as instruções do fabricante, introduzir a quantidade prevista de detergente no tanque de lavagem.

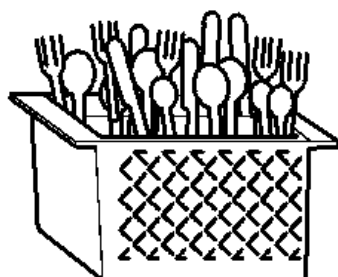
- detergente deve ser de tipo industrial, de espuma freada.

- Não mergulhar as mãos nuas na água de lavagem, posicionar as xícaras e os copos virados de cabeça para baixo nas cestas. Inserir os pratos na cesta própria equipada com dedos de suporte com a superfície interna virada para cima.

- Colocar os talheres e as colherinhas de café com os cabos virados para baixo.



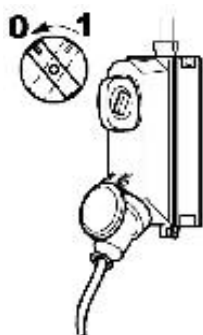
- Utilizar as cestas especificamente criadas para os diversos tipos de louças (pratos, copo, xícaras, talheres, etc.) Para economizar detergente e energia elétrica, lavar somente cestas completas, sem contudo sobrecarregá-las. Evitar toda sobreposição de louças e talheres.



Com o objetivo de reduzir ao mínimo a manutenção, **RECOMENDAMOS UMA LIMPEZA PREVIA** de louças e talheres. A eliminação dos restos de comida, cascas de limão, palitos, caroços de azeitona, etc., que poderiam obstruir parcialmente o filtro da eletrobomba, reduzindo a eficácia da lavagem, melhorará de maneira substancial a qualidade do resultado final.

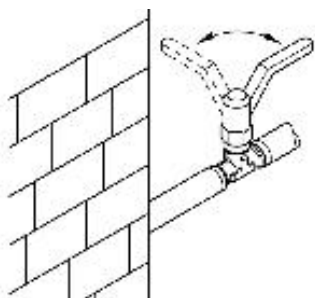


E aconselhável lavar louças e talheres antes que os restos de comida possam secar sobre as suas superfícies. No caso de sujeira endurecida, será conveniente deixar louças e talheres de molho antes de introduzi-los na máquina.

**4.3 OPERAÇÕES DE FIM SERVIÇO**

- Desligue a máquina

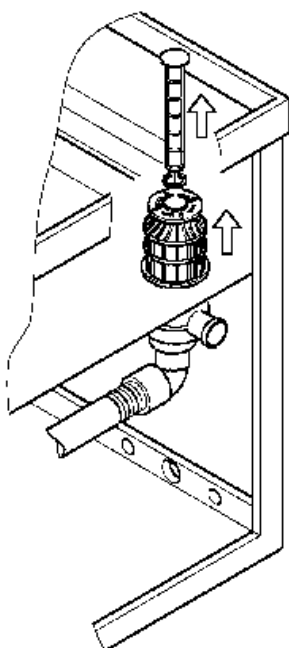
- Levante a capota e tire o cesto com a louça limpa.



- Descarregue a água do tanque levantando o demasiado-cheio. No modelo com bomba de descarga, respeite as operações descritas no parágrafo «Instruções de uso».

- Desligue o interruptor geral a montante da aparelhagem. Feche a válvula de comporta da conexão hidráulica.

- Tire os filtros e limpe-os com uma escovinha de nylon sob um jacto de água.



- Não deixe cair no interior do tanque os sobras de sujo depositados no fundo do filtro bomba de descarga. Limpe o tanque com pressão moderada de água. Limpe as paredes exteriores quando estão frias, com produtos não abrasivos feitos expressamente para a manutenção do aço.

**NOTA:** Não limpe o aparelho com jactos directos de água ou com alta pressão, como eventuais infiltrações nos elementos eléctricos podem comprometer o regular funcionamento do aparelho e de cada dispositivo de segurança, com decadência da garantia.

## CAP.5 MANUTENÇÃO

### 5.1 REGRAS GERAIS

A máquinas são projectadas para reduzir ao mínimo as exigências de manutenção. As seguintes regras devem ser respeitadas minuciosamente para garantir uma longa duração e um funcionamento sem danos.

De qualquer maneira devem ser respeitadas as seguintes regras gerais para manter a máquina em perfeito ordem:

- a máquina deve estar limpa e em ordem
- as reparações urgentes ou provisórias não devem tornar-se habituais

É muito importante o respeito das regras de manutenção periódica: todos os órgãos da máquina devem ser periodicamente controlados para evitar eventuais anomalias, antecipando assim os tempos e os meios necessários para a eventual intervenção de manutenção.

**Antes de efectuar as operações de limpeza, desligue a alimentação eléctrica da máquina.**



## 5.2 MANUTENÇÃO PERIODICA (deve ser feita no mínimo cada 20 dias)

Para facilitar as seguintes operações, tire do seu lugar o tear porta-cestos.

- Desmonte os braços de enxaguadura superior e inferior, desatarraxando o fecho de fixação.
- Desatarraxar e limpar todos os borrifadores e tornar a montá-los no seu devido lugar.
- Desmonte os braços de lavagem superior e inferior, desatarraxando o perno de enxaguadura limpe-os e enxague-os.
- Tirar o filtro da bomba de lavagem. Limpá-lo e enxaguá-lo.
- Limpar, agora, com muito esmero o tanque de lavagem.
- Deixar a capota do aparelho aberta durante todo o periodo de descanso.
- Devido aos sais de cálcio e de magnésio presentes na água, depois de certo periodo de funcionamento, que varia em função da dureza da água, sobre as superficies internas do tanque do aquecedor e dos tubos forma-se uma incrustação calcária que pode prejudicar o bom funcionamento do aparelho.
- Torna-se, portanto, indispensável a desincrustação periódica dessas peças, a ser executada por pessoal tecnicamente qualificado.
- Caso o aparelho tenha que ficar parado por longo período, lubrificar as superficies de aço com óleo de vaselina ..
- Caso houver o risco de formação de gelo, fazer descarregar a água do aquecedor e da bomba de lavagem por pessoal qualificado.
- **No caso de mau funcionamento ou de defeitos, dirigir-se exclusivamente a um centro de assistência técnica autorizado pelo construtor do aparelho ou pelo seu concessionario.**



## CAP.6 DESMANTELAMENTO

### 6.1 DESMANTELAMENTO DA MÁQUINA

Nas nossas máquinas não há materias que requerem processos especiais de escoamento.

---

**INHOUD**

<b>HFDST. 1 VOORWOORD .....</b>	<b>75</b>
<b>HFDST. 2 INSTALLATIE.....</b>	<b>75</b>
2.1 DE MACHINE VERPLAATSEN EN UITPAKKEN.....	75
2.2 ELEKTRISCHE AANSLUITING.....	76
2.3 HYDRAULISCHE AANSLUITING.....	76
2.4 AANSLUITING OP DE AFVOERLEIDING .....	77
2.5 REGULERINGEN EN CONTROLES.....	77
2.6 DOSEERSYSTEEM.....	77
2.7 WASMIDDEL .....	78
<b>HFDST .3 AANBEVELINGEN.....</b>	<b>78</b>
3.1 OVERIGE RISICO'S.....	78
3.2 VEILIGHEIDSMECHANISMEN .....	79
<b>HFDST. 4 DE MACHINE GEBRUIKEN .....</b>	<b>80</b>
4.1 BESCHRIJVING VAN DE BEDIENINGEN.....	80
4.1.1 AUTOMATISCHE AFVOER VAN HET WATER IN DE KUIP (OPTIE) .....	80
4.2 GEBRUIK VAN DE MACHINE.....	82
4.3 NA HET WASSEN.....	82
<b>HDFST. 5 ONDERHOUD .....</b>	<b>83</b>
5.1 ALGEMENE REGELS.....	83
5.2 PERIODIEK ONDERHOUD (ten minste uit te voeren om de 20 dagen).....	84
<b>HDFST. 6 ONTMANTELING .....</b>	<b>84</b>
6.1 ONTMANTELING VAN DE MACHINE .....	84

---



## Hfdst. 1 VOORWOORD

In deze handleiding worden belangrijke aanwijzingen ten aanzien van de veiligheid tijdens de installatie, het gebruik en het onderhoud vermeld.

De gebruiker heeft de plicht om deze handleiding aandachtig te lezen alvorens de machine te verplaatsen, te installeren, te gebruiken, te onderhouden of buiten dienst te stellen; het is dan ook noodzakelijk om deze handleiding goed te bewaren zodat hij ook na verloop van tijd nog intact is door hem op een veilige plaats neer te leggen en voor veelvuldige raadpleging eventuele kopieën te gebruiken.

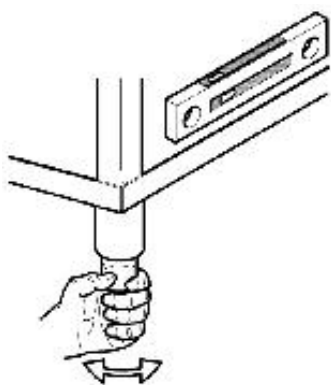
## Hfdst. 2 INSTALLATIE

### 2.1 DE MACHINE VERPLAATSEN EN UITPAKKEN



- De machine moet uiterst voorzichtig met een vorkheftruck worden verplaatst.
- Controleer of de machine intact is. Is er sprake van zichtbare schade, dan moet de verkoper en de transporteur die de machine heeft vervoerd hier onmiddellijk van op de hoogte worden gesteld. Bij twijfel mag de machine niet in gebruik worden genomen zolang de machine niet is gecontroleerd door gespecialiseerd personeel.
- Verplaats de machine naar de plaats waar de machine geïnstalleerd moet worden en ontdoe de machine van de verpakking.

**Het verpakkingsmateriaal (plastic zakken, schuimplastic, spijkers enz.) mag niet binnen bereik van kinderen worden gelaten, omdat dit een mogelijk bron van gevaar vormt.**

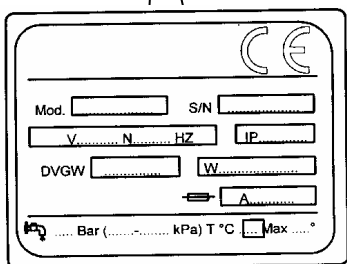
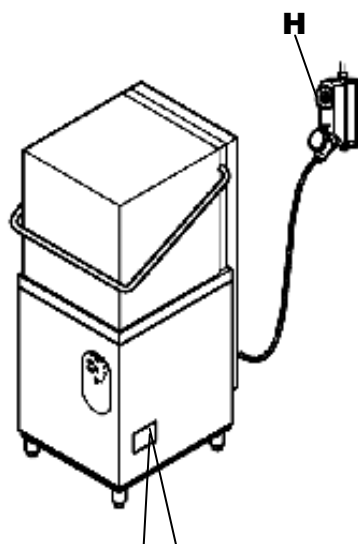


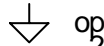
- De machine mag uitsluitend in overeenstemming met de aanwijzingen van de constructeur geïnstalleerd worden en dit uitsluitend door vakkundig gekwalificeerd personeel gedaan worden.
- Dit apparaat is alleen geschikt voor vaste aansluiting.
- Zet de machine door middel van de schroefpoten waterpas.
- De vloer moet berekend zijn op het totaal gewicht van de machine.
- Houd de aanwijzingen die op het aansluitschema van de machine staan vermeld aan en breng in het waslokaal de elektrische aansluiting en de aansluiting van de watertoevoer- en afvoerleiding tot stand.



## 2.2

## ELEKTRISCHE AANSLUITING



1. De aansluiting op het elektriciteitsnet moet tot stand gebracht worden met een hoofdschakelaar (H) Dit moet een veelpolige magnetothermische schakelaar zijn die alle contacten inclusief de nulleiding verbreekt, met een afstand tussen de open contacten van minstens 3 mm, die voor de veiligheid springt of die gekoppeld is aan zekeringen, die bemeten en afgesteld moeten zijn met het oog op het maximum vermogen dat op de machine staat vermeld (zie machineplaat).
2. Er dient nagegaan te worden dat de spanning en de frequentie van het elektriciteitsnet overeenstemmen met de gegevens die op de machineplaat staan waar de technische gegevens van de machine op staan die aan de rechterkant van de machine is aangebracht.
3. Een deugdelijke aarding zoals vereist door de geldende veiligheidsvoorschriften is een garantie voor de veiligheid van de gebruiker en het apparaat.
4. Het gebruik van verloopstekkers, meervoudige stopcontacten en verlengsnoeren is absoluut verboden.
5. Het apparaat moet bovendien op een potentiaalvereffeningssysteem worden aangesloten; de aansluiting op een dergelijk systeem wordt tot stand gebracht door middel van een schroef waar het symbool  op staat. De potentiaalvereffeningsleiding moet een doorsnede van 10 mm<sup>2</sup> hebben.



De voedingskabel die bij de levering van de machine is inbegrepen mag alleen door een kabel worden vervangen die dezelfde doorsnede heeft en die van type H07RN-F is.

Raadpleeg voor nadere informatie het bijgevoegde elektrische aansluitschema.

## 2.3

## HYDRAULISCHE AANSLUITING

Breng het vertrek in gereedheid zoals aangegeven op bijgevoegd hydraulisch aansluitschema.

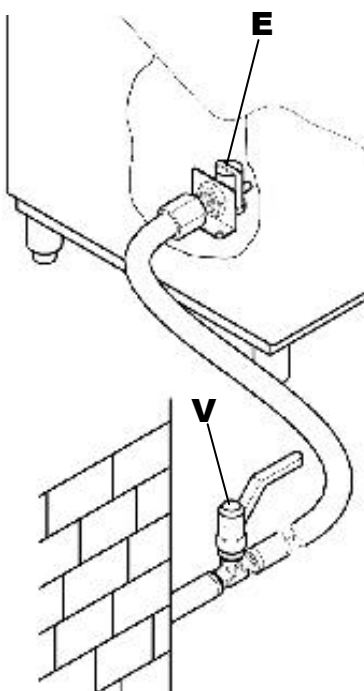
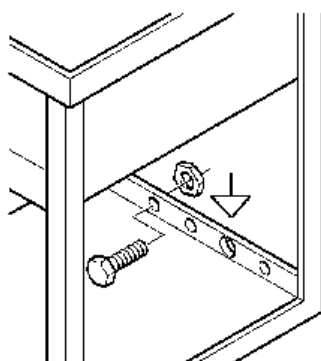
Controleer alvorens het apparaat aan te sluiten of er tussen de watertoevoerleiding en het apparaat een schuifklep is geplaatst die in staat is om de watertoevoerleiding indien nodig of in geval van reparaties snel en volledig af te sluiten.

Sluit de toevoerelektromagneetklep (E) aan op de schuifklep (V) en controleer of het toevoerdebiet niet minder bedraagt dan 20 l/min.

**Ga na dat de temperatuur en de druk van het toevoerwater overeenstemt met de gegevens die op de plaat staan vermeld waar de technische gegevens van de machine op staan.**

Mocht de hardheid van het water groter zijn dan de in de tabel vermelde gegevens, dan verdient het aanbeveling om vóór de toevoerelektromagneetklep van de machine een waterontharder te installeren.

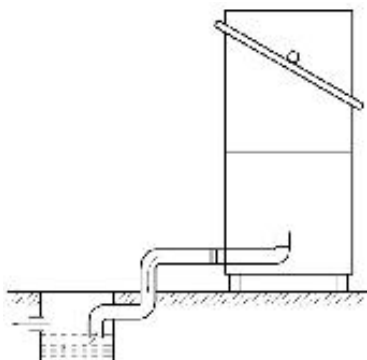
In geval van hoge concentraties van minerale resten in het water of hoge geleidingscapaciteit wordt geadviseerd een demineralisatie-installatie te installeren, afgesteld op een resthardheid zoals aangegeven in onderstaande tabel.



	<b>Eigenschappen</b>		<b>van</b>	<b>tot</b>
Hardheid	Franse hardheidsgraden	f	5	10
	Duitse hardheidsgraden	°dH	4	7'5
	Engelse hardheidsgraden	°e	5	9,5
	Parts per million	ppm	70	140
Resterende mineralen	Maximum	mg/l	300/400	



## 2.4 AANSLUITING OP DE AFVOERLEIDING



Het legen van de kuip gebeurt door middel van zwaartekracht, de afvoer moet daarom op een lager niveau dan de onderkant van de machine worden geplaatst.

Het afvoerkoppelstuk moet door middel van een flexibele slang op een putje of een bak met sifon die in de vloer is aangebracht worden aangesloten.

De afmetingen van de afvoer van de machine staan vermeld op het installatieschema van de machine.

## 2.5 REGULERINGEN EN CONTROLES



De temperatuur van de waskuip is gereguleerd door een vaste thermostaat op ongeveer 55° C. Deze temperatuur begunstigt het juiste gebruik van de chemische eigenschappen van de wasmiddelen voor industriële vaatwas.

De temperatuur van de boiler, gereguleerd door een vaste thermostaat is ongeveer 85° C.



## 2.6 DOSEERSYSTEEM

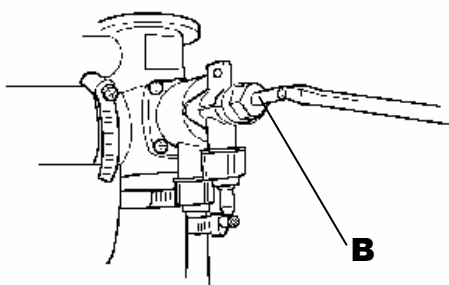
Om de afstelling te verrichten moet aan de wartel (**B**) die in het midden van het doseersysteem is aangebracht worden gedraaid, door met de wijzers van de klok mee te draaien (rechtsom) of tegen de wijzers van de klok in te draaien (linksom) zal de verstrekte hoeveelheid respectievelijk verminderen of vermeerderen.

**De doseerder moet niet droog werken of blijven.**

Een buitensporige dosis glansmiddel veroorzaakt blauwachtige strepen op het vaatwerk en geeft aanleiding tot de vorming van schuim in de waskuip.

Vaatwerk dat bedekt is met waterdruppels en dat langzaam droogt, geeft aan dat de hoeveelheid glansmiddel daaren tegen onvoldoende is.

**7 cm buis = 1 g product**





## 2.7 WASMIDDEL

### Apparaat zonder doseersysteem van het wasmiddel

Giet het wasmiddel in de kuip en houd daarbij de door de fabrikant geadviseerde dosering aan. Deze hoeveelheid kan al naar gelang het type wasmiddel van 2 tot 4 g/liter water in de kuip verschillen. Het wasmiddel moet circa na elke **5** wasprogramma's in de door de fabrikant van het wasmiddel geadviseerde dosering bijgevuld worden.

De hierboven aangegeven hoeveelheden gelden bij een gemiddelde hardheid van het water van **10-20°F** (Franse hardheidsgraden).

### Machine met wasmiddel doseerder

#### Afstellingen:

Door aan de regelaar (**A**) te draaien wordt dus de aan-/uit tijd en dus de hoeveelheid wasmiddel bepaald.

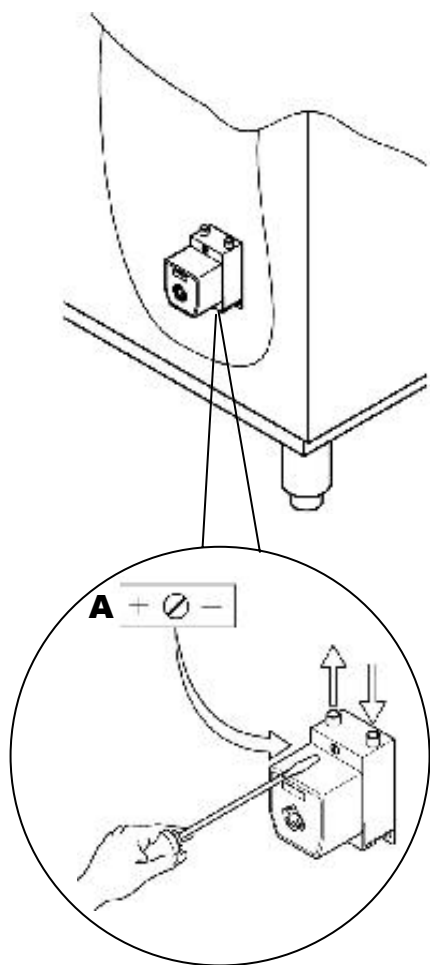
- Door de regelaar met de wijzers van de klok mee te draaien (rechtsom) of tegen de wijzers van de klok in te draaien (linksom) zal de verstrekte hoeveelheid respectievelijk verminderen of vermeerderen.
- Om de afstelling te voltooien moet het resultaat van enkele wasprogramma's worden bekeken.



#### LET OP!

De bak mag nooit helemaal leeg raken en ook niet bijgevuld worden met corrosieve of onzuivere produkten.

De garantie dekt geen schade die te wijten is aan verkeerd gebruik van het doseersysteem.



## HFDST .3 AANBEVELINGEN



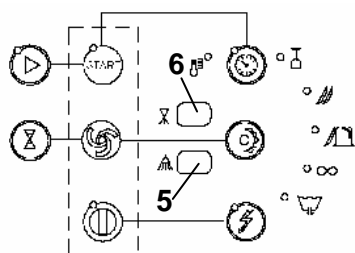
### 3.1 OVERIGE RISICO'S

- Open nooit vlug het deksel van de machine als hij de cyclus niet heeft beëindigd.
- Dompel nooit de blote handen in de zeepoplossing
- Verwijder nooit de panelen van de machine als niet eerst de toevoer stroomopwaarts is losgekoppeld.
- Het gespecialiseerde personeel dat de installatie en de elektriciteitsaansluiting verzorgt moet de gebruiker voldoende instructies geven over de werking van het apparaat en de eventuele veiligheidsmaatregelen die in acht moeten worden genomen.
- De installateur moet bovendien de gebruiker in praktijkdemonstraties geven over de wijze van gebruik en moet de bijbehorende schriftelijke instructies achterlaten die bij het apparaat zelf worden geleverd.
- **Dit apparaat mag alleen worden bestemd voor het gebruik waarvoor het uitdrukkelijk is ontworpen. Ieder ander gebruik moet als oneigenlijk en dus gevaarlijk worden beschouwd.**
- Gebruik de machine nooit zonder de door de fabrikant aangebrachte beveiligingen (microschakelaars, panelen en dergelijke).
- Eventuele reparaties van de machine mogen uitsluitend worden uitgevoerd door de fabrikant of door een erkend servicecentrum, waarbij uitsluitend originele onderdelen mogen worden gebruikt.

- Als het bovenstaande niet in acht wordt genomen kan de veiligheid van de machine in gevaar komen.
- De machine mag niet onder spanning blijven staan als hij niet wordt gebruikt.
- Gebruik de speciale korven voor borden en /of glazen.
- Zorg dat de machine niet wordt blootgesteld aan weersomstandigheden.
- Zet de machine niet in werking als hij niet goed op het elektriciteits- en waterleidingnet is aangesloten, met alle beveiligingsinrichtingen zoals: voltage, frequentie en maat van de zekeringen zoals aangeduid op het gegevensplaatje.
- De technicus is verplicht te controleren of de aarding goed werkt.

De technicus die de installatie verzorgt is verplicht een schriftelijke verklaring af te geven dat de machine op correcte wijze is geïnstalleerd en getest conform alle regelgeving en volgens de regelen de kunst.

1. Start de cyclus nooit zonder: het filter en de overlooppdop in de kuip
2. Denk eraan alvorens de machine te legen, de elektriciteitsaansluiting los te koppelen.
3. Kom nooit met magnetische voorwerpen in de buurt van de machine, hij zou ook met de bovenkap open in werking kunnen treden.
4. Gebruik de bovenkap nooit om iets op te zetten.
5. Bij het wassen van de machine mogen er geen waterstralen rechtstreeks op worden gespoten.
6. De machine mag uitsluitend worden gebruikt door geautoriseerd personeel met een geschikte opleiding of in staat om een geschikte opleiding te volgen.
7. Start de cyclus niet tijdens het afpompen.
8. Als u merkt dat de machine niet goed werkt of dat er water uit lekt, zet de machine dan onmiddellijk uit.



### 3.2 VEILIGHEIDSMEECHANISMEN

De elektronische kaart herkent verschillende defectsituaties.

**Storingen maakt u op uit de boodschappen op het display (5 en 6) en uit het feit dat de machine stopt tijdens het draaien, maar alleen in de gevallen (1 en 3) die hierna worden bescheven.**

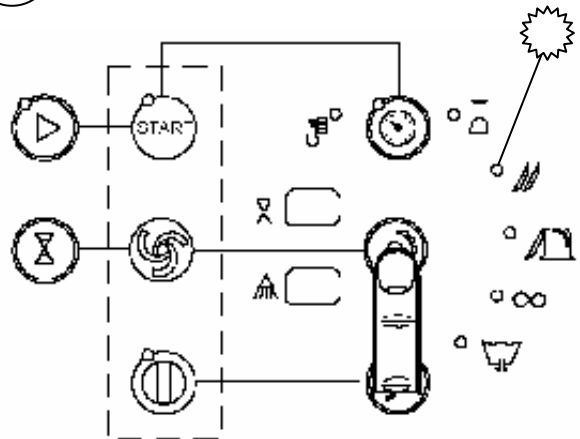
**OPGELET!** Het uitzetten en vervolgens weer aanzetten van de machine, "reset" de waarschuwing die opnieuw zal verschijnen als het probleem nog niet is opgelost.

Boodschap op het display			
	<b>STORING:</b>	<b>Boiler (6)</b>	<b>Kuip (5)</b>
<b>1</b>	<b>TE WEINIG OF TE VEEL WATER IN DE KUIP</b> (als na verloop van $\geq 10$ min. het juiste peil in kuip niet is bereikt)	E <sub>r</sub>	04
<b>2</b>	<b>SENSOREN BOILER DEFECT</b> (als de sensor niet goed is aangesloten of beschadigd is) (bij kortsluiting of defect)	E <sub>r</sub> E <sub>r</sub>	07 08
<b>3</b>	<b>OVERVERHITTING</b> (Oververhitting van boiler en kuip) (schakeling veiligheidsthermostaat)	H1 SA	H1 FE
<b>4</b>	<b>SPOELEN</b> (Niet gespoeld) (Onvoldoende spoeldruk) (Te hoge spoeldruk)	E <sub>r</sub> P <sub>r</sub> P <sub>r</sub>	01 01 02





**3**



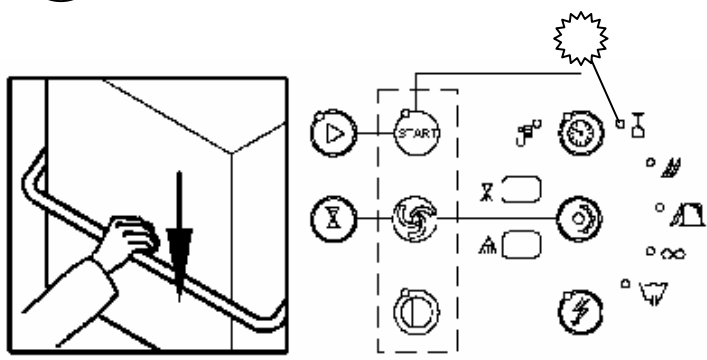
3. Druk op de aangegeven knop aan de zijkant om de cyclus te programmeren



De indicator die bij het geselecteerde product hoort, begint te branden.

**Opmerking: selecteer het programma "∞" voor langdurig wassen.**

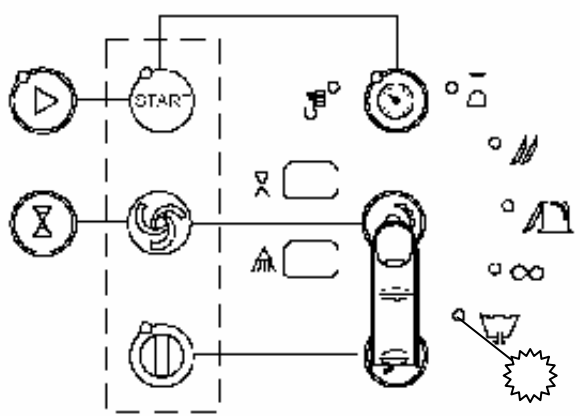
**4**



4. Druk op de aangegeven knop aan de zijkant en sluit de deur. De machine start nu automatisch. Voor alle volgende wasbeurten hoeft u slechts de hendel te sluiten.

**Opmerking: Om het wasprogramma "∞" te onderbreken, drukt u deze toets in (om een nieuw programma te kiezen herhaalt u stap 3).**

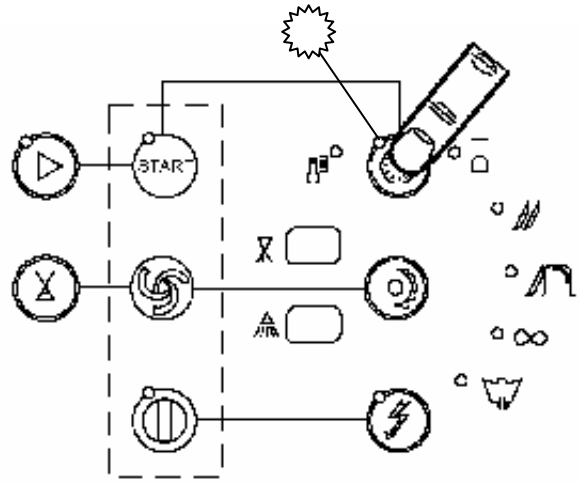
**1**



**4.1.1 Automatische afvoer van het water in de kuip (optie)**

1. Druk op de aangegeven knop aan de zijkant en kies het afvoerprogramma (het betreffende controlelampje gaat branden).

**2**



2. Druk op de aangegeven knop aan de zijkant. De machine voert het water in de kuip automatisch af.

## 4.2 GEBRUIK VAN DE MACHINE



- De instructies van de fabrikant opvolgen en de vereiste hoeveelheid wasmiddel in de waskuip inbrengen.

- Het wasmiddel moet van industrieel soort zijn, dat schuimremmend is.

- Niet blote handen in de wasmiddel opslossing dompelen, de kopjes en de glazen omgekeerd in de manden plaatsen. De borden in de geschikte mand met steunarmpjes met het binnen oppervlak naar boven gekeerd zetten.

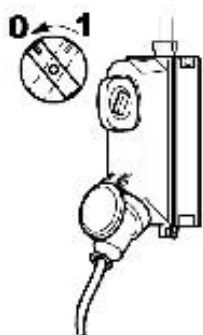
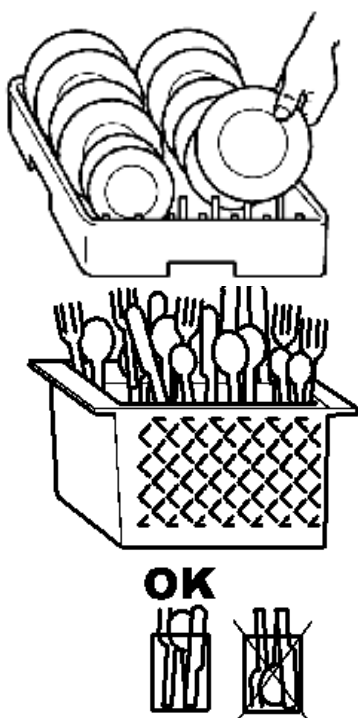
- Het bestek en de theelepeltjes met het handvat naar beneden gekeerd plaatsen.

- Niet zilver-en roestvrij staal bestek in dezelfde bestekmanden plaatsen. Het zou bruine vlekken op het zilver en waarschijnlijk corrosie van het roestvrije staal veroorzaken.

- Voor een ander type vaatwerk (borden, glazen, kopjes, bestek etc.) de specifiek gemaakte manden gebruiken. Om wasmiddel en elektrische energie te besparen, alleen volle manden wassen, zonder deze over te beladen. Het op elkaar plaatsen van vaatwerk vermijden.

Om het onderhoud tot het minimum te beperken, **BEVELEN WIJ AAN EEN VOORAFGAANDE SCHOONMAAK** van het vaatwerk . De verwijdering van etensresten, citroenschillen, tandenstokers, olijfpitten enz die het filter van de elektropomp zouden kunnen verstopen en de doeltreffendheid van de was verminderen, zal de kwaliteit van het eindresultaat verbeteren.

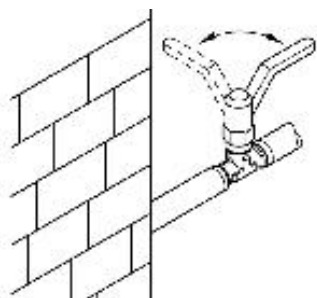
Het is aan te raden het vaatwerk eerst te wassen voordat de etensresten vastkoeken op hun oppervlakten. In het geval van hard vuil, is het nuttig om het vaatwerk en het bestekte laten weken voor het in de machine te plaatsen.



## 4.3 NA HET WASSEN

- Stroom afsluiten knop

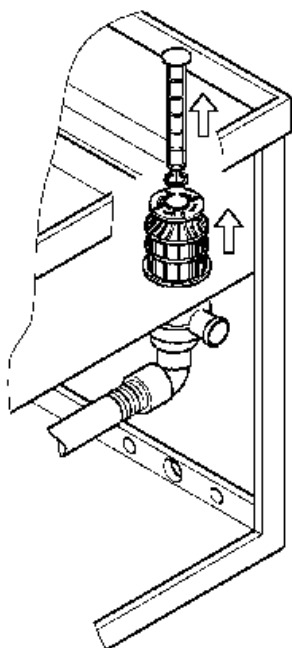
- Deksel openen en het mandje met de schoone vaat uittrekken.



- Water wegpompen door het stopje op te lichten, waar een pomp aanwezig is de instructies volgen in voorgaande paragraaf.

- De hoofdschakelaar uitzetten boven het apparaat.

- Het valdeurtje dichtmaken voor het water toevoer.



- De filters verwijderen en onder de kraan met een afwasborsteltje schoonmaken.

- Zorg dat het vuil van het filter niet op de bodem van de wasbak terecht komt. De wasbak met een zachte waterstraal schoonspelen. De buitenkant schoonmaken als de machine afgekoeld is met een niet-schurend product voor roestvrij staal.

**NOTA:** De machine niet met directe waterstralen of hoge druk schoonmaken omdat eventuele infiltraties in de elektrische onderdelen de normale werking van de machine en vande veiligheids systemen zouden kunnen benadelen, metals gevolg het verval van de garantie.

## **HDFST. 5 ONDERHOUD**

### **5.1 ALGEMENE REGELS**

De machine zijn ontworpen om de verijsten van onderhoud tot het minimum te beperken. De regels die volgen moeten in ieder geval gerespecteerd worden om een lange duur en een functionering zonder ongemakken te garanderen.

In ieder geval, moeten enkele algemene regels gerespecteerd worden om de machines in een perfecte staat te behouden:

- de machine schoon en in orde houden
- vermijden dat de voorlopige of nood reparaties frekwent worden

Da nauwkeurige in acht neming van de regels van periodiek onderhoud is heel belangrijk: alle onderdelen van de machine moeten regelmatig gecontroleerd worden om te vermijden dat zich eventuele afwijkingen presenteren en zo de noodzakelijke tijd en middelen te voorzien voor een eventuele onderhouds ingreep.

**Voordat men tot het schoonmaken overgaat de elektrsche voeding van de machine.**

## 5.2 PERIODIEK ONDERHOUD (ten minste uit te voeren om de 20 dagen)

Om de volgende handelingen makkelijker te maken kunt u het rek, waar de mand op steunt, verwijderen.

- De spoelarmen boven en onder, de monteren door de schroefknop af te draaien.
- Alle sproeiers (5) los draaien en schoonmaken en terug plaatsen.
- Nu de boven en onder wasarmen losmaken door de “spoel pin” los te schroeven schoonmaken en afspoelen.
- Het filter van de waspomp verwijderen. schoonmaken en spoelen.
- Versvolgens de waskuip met zorg schoonmaken.
- De kap van de machine open laten staan al de tijd dat de machine niet gebruikt wordt.
- Ten gevolge van de aanwezigheid van kalk en magnesium in het water, vormt zich, na een bepaalde tijd van werking. Een kalk incrustatie, dat varieert naar gelang de hardheid van het water, op de binnenste oppervlakten van de kuip van de boiler en van de buizen, dat de goede werking van de machine kan benadelen.
- Men moet in dat geval tijdelijk de machine ontkalken. Wij raden aan dat door technisch gekwalificeerd personeel te laten uit voeren.
- Wanneer de machine voor lange tijd buiten werking zou blijven, moet men de opeervlakten in roestvrij staal met vaseline olie oliën.
- In geval van gevaar van ijsvorming, het water uit de boiler en uit de waspomp door technisch personeel laten afvoeren.
- **In geval van slechte werking of beschadigingen, zich uitsluitend tot een service centrum wenden, geautoriseerd door de constructeur van de machine of door zijn concessionair.**



## HDFST. 6 ONTMANTELING

### 6.1 ONTMANTELING VAN DE MACHINE

Op onze machines bevinden zich geen materialen die bijzondere procedures van vernietiging vereisen.

---

**INDHOLDSFORTEGNELSE**

<b>KAP. 1 INDLEDNING .....</b>	<b>87</b>
<b>KAP. 2 INSTALLATION .....</b>	<b>87</b>
2.1 FLYTNING OG FJERNELSE AF EMBALLAGE .....	87
2.2 TILSLUTNING TIL STRØMFORSYNING .....	88
2.3 TILSLUTNING TIL VANDFORSYNING .....	88
2.4 TILSLUTNING TIL AFLØB .....	89
2.5 REGULERINGER OG KONTROLLER .....	89
2.6 SKINNEMIDDELSDOSERINGSINDRETNING .....	89
2.7 OPVASKEMIDDEL .....	90
<b>KAP.3 SIKKERHEDSPÅBUD .....</b>	<b>90</b>
3.1 TILBAGEVÆRENDE RISICI OG ADVARSLER .....	90
3.2 SIKKERHEDSANORDNINGER .....	91
<b>KAP. 4 ANVENDELSE AF MASKINEN .....</b>	<b>92</b>
4.1 BESKRIVELSE AF STYREANORDNINGERNE .....	92
4.1.1 AUTOMATISK UDTØMNING AF VANDET I KAMMERET (EKSTRAUDSTYR) .....	93
4.2 MASKINENS BRUG .....	94
4.3 VED ENDT OPVASK .....	94
<b>KAP. 5 VEDLIGEHOLDELSE .....</b>	<b>95</b>
5.1 GENERELLE REGLER .....	95
5.2 PERIODISK VEDLIGEHOLDELSE (skal gennemføres mindst hver 20. dag) .....	96
<b>KAP. 6 NEDTAGNING .....</b>	<b>96</b>
6.1 NEDTAGNING AF MASKINEN .....	96

---



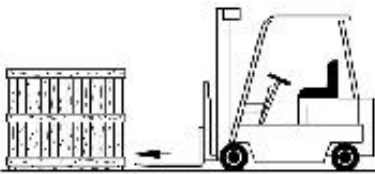
## KAP. 1 INDLEDNING

Forskrifterne i denne manual giver vigtige oplysninger med hensyn til sikkerhed i forbindelse med installation, brug og vedligeholdelse.

**Personalet har pligt til at læse denne manual** inden flytning, installation, brug, vedligeholdelse eller bortskaffelse af denne maskine. Det er derfor nødvendigt at opbevare manualen på et sikkert sted med henblik på senere brug. Fotokopier eventuelt manualen, så der findes eksemplarer til den daglige brug.

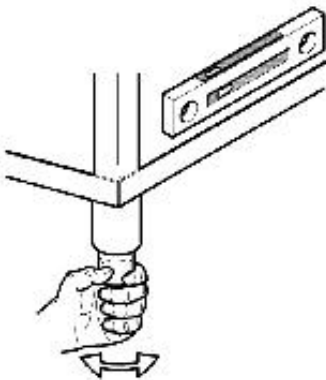
## KAP. 2 INSTALLATION

### 2.1 FLYTNING OG FJERNELSE AF EMBALLAGE



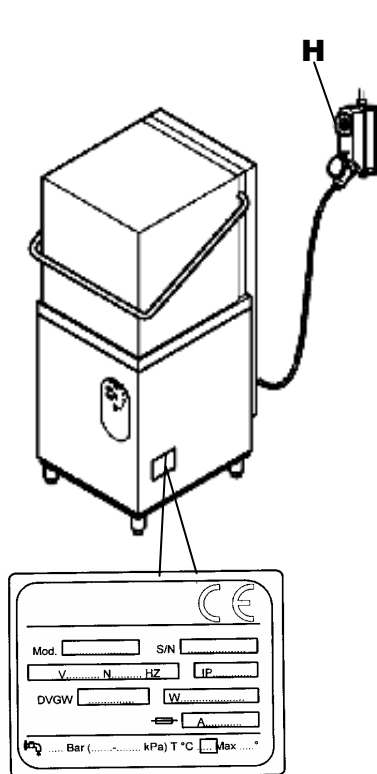
- Maskinen skal flyttes forsigtigt ved hjælp af en gaffeltruck.
- Kontrollér, at maskinen ikke er beskadiget. I tilfælde af synlige skader skal sælgeren og speditøren straks underrettes herom. I tvivlstilfælde må maskinen ikke anvendes, før den er blevet kontrolleret af specialuddannet personale.
- Anbring maskinen på installationsstedet og fjern emballagen.

**Emballagen (plastposer, skumplast, søm osv.) skal opbevares utilgængeligt for børn, idet disse dele udgør en potentiel fare.**



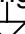
- Installationen skal finde sted i overensstemmelse med anvisningerne fra producenten. Installationen skal udføres af kvalificeret personale.
- Denne maskine er kun egnet til permanent tilslutning.
- Anbring maskinen og nivellér den ved hjælp af fødderne.
- Ved udformning af underlaget skal der tages højde for maskinens samlede vægt.
- Følg anvisningerne på installationsskemaet for maskinen og forbered strøm- og vandforsyningen samt afløbet i lokalet, hvor opvaskemaskinen skal installeres.





## 2.2

## TILSLUTNING TIL STRØMFORSYNING

1. Tilslutningen til strømforsyningen skal ske ved hjælp af en hovedafbryder (H). Afbryderen skal være alpolet og skal afbryde samtlige kontakter inkl. nullederen. Afbryderen skal have en indbyrdes kontaktafstand på min. 5 mm. Afbryderen skal endvidere være forsynet med termomagnetisk sikkerhedsudløsning og sikringer, der tåler den maksimale mærkestrøm.
2. Kontrollér, at strømforsyningens spænding og frekvens svarer til angivelserne på skiltet med de tekniske specifikationer. Skiltet er anbragt på højre side af maskinen.
3. Installation af et effektivt jordsystem som foreskrevet af lovgivningen garanterer beskyttelse for både brugeren og maskinen.
4. Det er strengt forbudt at benytte adaptore, stikdåser og forlængerledninger.
5. Maskinen skal desuden forbindes med et system, der har samme spænding. Forbindelsen sker ved hjælp af en skrue, afmærket med en pil . Den ensartede spændingsleder skal have en sektion på 10 mm<sup>2</sup>.



Det medleverede forsyningskabel må kun udskiftes med et andet kabel med tilsvarende tværsnit (type H07RN-F).

Vedrørende yderligere informationer henvises til det vedlagte elskema.

## 2.3 TILSLUTNING TIL VANDFORSYNING

Forbered installationslokalet i overensstemmelse med anvisningerne på hydraulikskemaet.

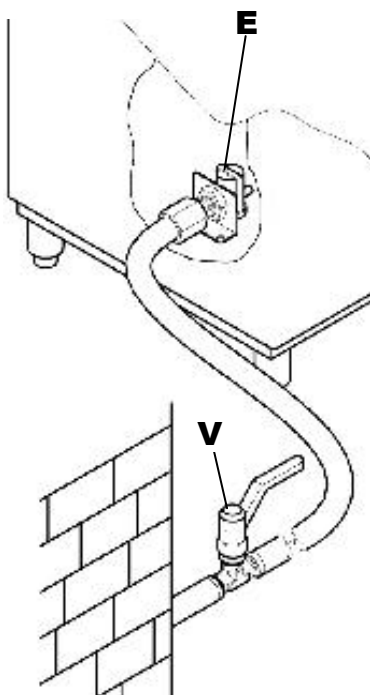
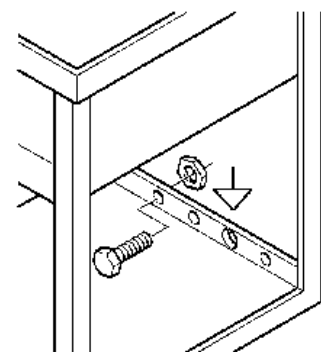
Kontrollér inden tilslutning af maskinen, at der er monteret en sluseventil mellem vandforsyningen og maskinen. Sluseventilen skal gøre det muligt at afbryde vandforsyningen i forbindelse med reparationer og i andre tilfælde, hvor det kan være nødvendigt at afbryde vandforsyningen.

Slut magnetventilen for vandtilførsel (**E**) til sluseventilen (**V**) ved hjælp af en slange. Kontrollér, at forsyningskapaciteten min. svarer til 20 l/min.

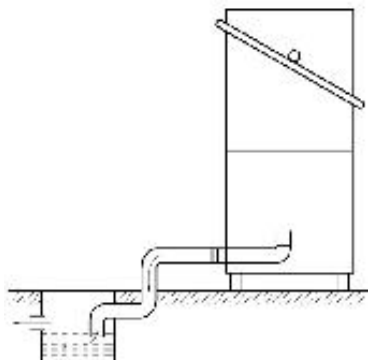
**Kontrollér, at vandets temperatur og tryk svarer til angivelserne på skiltet med de tekniske specifikationer.**

Hvis vandet er hårdere end angivelserne i nedenstående tabel, anbefales det at montere en afkalker før maskinens magnetventil for vandtilførsel.

Hvis vandet indeholder kraftige koncentrationer af restminerale med høj konduktivitet, anbefales det at installere et afsaltningsanlæg, der indstilles til en resthårdhed i overensstemmelse med nedenstående tabel.



	Karakteristika		Min.	Maks.
Hårdhed	Franske grader	f	5	10
	Tyske grader	°dH	4	7'5
	Engelske grader	°e	5	9,5
	Dele pr. million	ppm	70	140
Restindhold af mineraler	Maksimum	mg/l	300/400	



## 2.4 TILSLUTNING TIL AFLØB

Tømning af karret sker som følge af tyngde. Dette er grunden til, at afløbet skal være anbragt lavere end maskinens sokkel.

Dræningsforbindelsen skal sluttes til en kloak eller et gulvafløb med hævert ved hjælp af slangen.

Størrelsen for maskinens afløb fremgår af installationsskemaet.

## 2.5 REGULERINGER OG KONTROLLER



Temperaturen i vaskekarret reguleres af en termostat med fast temperatur på ca. 55° C (134°F). Denne temperatur hjælper til med at udnytte vaskemidlerne, som anvendes industrielt og deres kemiske egenskaber på bedst mulige måde. Vandvarmerens temperatur reguleret af den faste termostat, er på ca. 85° C



## 2.6 SKINNEMIDDELSDOSERINGSINDRETNING

Inden udførelse af justeringen skal dosatoren og den tilhørende forsyningslange fyldes ved hjælp af knappen (A) for spændning.

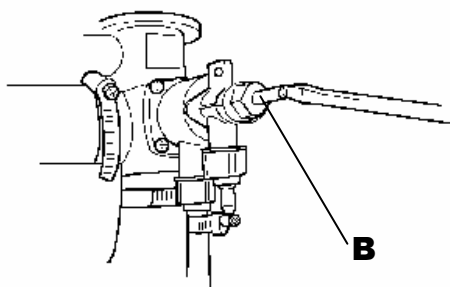
Justeringen sker ved at dreje ringmøtrikken (B), der er anbragt midt på dosatoren. Ved at dreje ringmøtrikken med eller mod uret sker henholdsvis en reduktion eller forøgelse af den udsendte mængde afspændingsmiddel.

**Dosatoren må aldrig, når den er i drift, løbe tør for klarskyllemidler.**

Vaatwerk dat En overdreven dose klarskyllemiddel fremkalder blålige striber på servicet og giver anledning til dannelse af skum i vaskekarret.

Service dækket af vanddråber og med en langsom tørring betyder, at der er en utilstrækkelig mængde klarskyllemiddel.

**7 cm. rør = 1 gr. Produkt**





## 2.7 OPVASKEMIDDEL

### Maskine uden dosator til opvaskemiddel

Hæld opvaskemiddel i karret i overensstemmelse med doserne, der angives af producenten. Denne mængde kan variere fra 2-4 g pr. liter vand i karret afhængigt af den konkrete type opvaskemiddel. Opvaskemidlet skal påfyldes for ca. hver **5.** afvaskning i overensstemmelse med doserne, der angives af producenten.

Ovenstående mængder gælder med hensyn til en gennemsnitlig hårdhed i vandet på **10-20° F** (franske grader).

### Maskine med vaskemiddeldosator

#### Justeringer

Ved hjælp af trimmeren (A) er det muligt at fastsætte tidsrummet for tænding/slukning og dermed mængden af rengøringsmiddel.

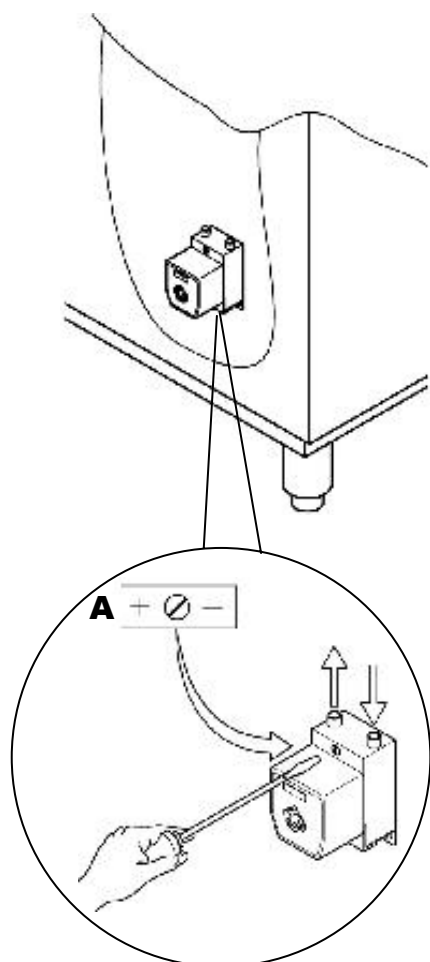
- Ved at dreje trimmeren med eller mod uret opnås henholdsvis en reduktion eller en forøgelse af den udsendte mængde rengøringsmiddel.
- Justeringen afsluttes ved vurdering af resultatet af et par afvaskninger.



#### ADVARSEL!

Niveauet i beholderen må aldrig reduceres, således at beholderen er tom eller efterfyldes med ætsende eller urene produkter.

Garantien dækker ikke skader, der opstår som følge af forkert brug af doseringsanordningen.

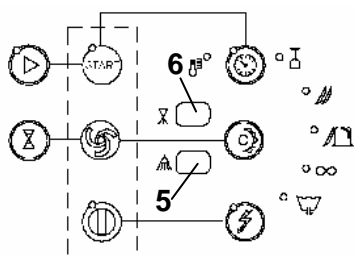


### 3.1 TILBAGEVÆRENDE RISICI OG ADVARSLER

- Åbn aldrig maskinens hætte hurtigt, hvis cyklossen ikke er færdig.
- Stik aldrig de bare hænder ned i vaskeopløsningen.
- Aftag aldrig maskinpanelerne, uden først at have frakoblet forsyningsledningerne.
- Det oplærte personale, der udfører installationen og de elektriske tilslutninger, har pligt til at give brugeren de nødvendige oplysninger om hvordan apparatet fungerer samt om de sikkerhedsforanstaltninger brugeren eventuelt bør holde for øje.
- Installatøren skal derudover formidle en praktisk demonstration af maskinens brug og overdrage de skriftlige anvisninger, der leveres sammen med selve apparatet.
- **Dette apparat må udelukkende anvendes til det udtrykkeligt forudsete brug. Al anden brug, skal betragtes som uhensigtsmæssig og dermed farlig.**

- Benyt aldrig maskinen uden de af fabrikanten forudsete sikkerhedsanordninger (mikroafbrydere, paneler eller andet).
  - Eventuel reparation af maskinen må udelukkende udføres af fabrikanten eller af et autoriseret servicecenter og der skal altid anvendes originale reservedele.
  - Manglende overholdelse heraf kan påvirke apparatets sikkerhed negativt.
  - Maskinen må aldrig være under spænding, når den ikke er i brug.
  - Benyt de relevante kurve til tallerkner og eller glas
  - Udsæt aldrig maskinen for atmosfærisk agens.
  - Sæt aldrig maskinen i drift, hvis den ikke er forbundet korrekt til el- eller til vandforsyningen, med alle sikkerhedsanordningerne, så som: voltstyrke, frekvens og sikringsstørrelse som anvist på specifikationsskiltet.
  - Teknikeren har pligt til at kontrollere at jordforbindelsen fungerer korrekt.
- Installatøren har ligeledes pligt til at udstede en skriftlig erklæring om korrekt installation og afprøvning i henhold til de forskellige forskrifter og brancheanvisninger.

1. Sæt aldrig cyklussen i gang uden: at filter og overløbsindretningen sidder i karret.
2. Husk altid at frakoble den elektriske ledning inden maskinen tømmes.
3. Anbring aldrig magnetiske genstande i maskinens nærhed, da den kan gå i gang også selvom hættten står åben.
4. Benyt aldrig hættten som et frasætningsplan.
5. Vask aldrig maskinen med direkte vandstråler.
6. Maskinen må aldrig benyttes af personale uden autorisation og egnet oplæring eller af personale der ikke kan oplæres på passende vis.
7. Sæt aldrig vaskecyklussen i gang under tømningen.
8. Sluk øjeblikkeligt for maskinen i tilfælde af fejlfunktioner eller vandudslip fra maskinen



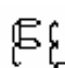
### 3.2 SIKKERHEDSANORDNINGER

Kortet er i stand til at konstatere adskillige forstyrrelser.

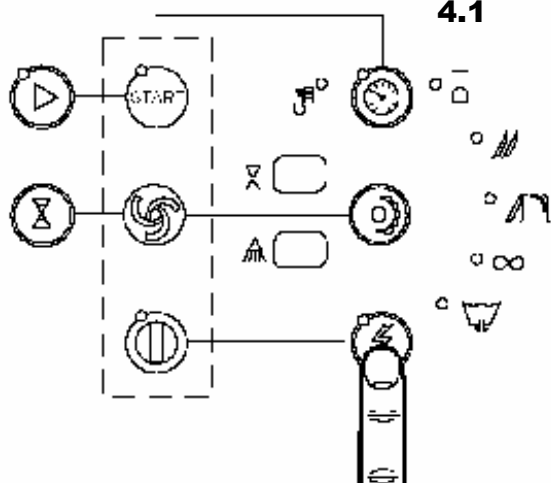
Eventuelle forstyrrelser vises ganske enkelt ved hjælp af beskederne på display (5 og 6) og afbrydelsen af de igangværende funktioner, dog udelukkende i de nedenfor angivne tilfælde (1 og 3). **GIV AGT!** Hvis maskinen slukkes og derefter tændes igen, "nulstilles" signalerne, som gentages på et senere tidspunkt, hvis problemet ikke er løst.

Besked visualiseret på skærmen

	<b>KONSTATERT FORSTYRRELSE:</b>	<b>Koger (6)</b> 	<b>Kar (5)</b> 
<b>1</b>	<b>KARRET IKKE FYLDT MED VAND ELLER VANDET LØBET OVER</b> (hvis vandstanden i karret ikke når det ønskede niveau i løbet af ≥ 10 min.)		
<b>2</b>	<b>KOGERENS SONDE DEFEKT</b> (hvis sonden er forkert forbundet eller i stykker) (hvis sonden er kortsluttet eller i stykker)	 	 
<b>3</b>	<b>OVEROPHEDNING</b> (for høj temperatur i kogerens eller karret) (udløsning af termosikringen)	 	 
<b>4</b>	<b>SKYLNING</b> (Skylning ikke foretaget) (For lavt tryk skylning) (For højt tryk skylning)	  	  

5	<p style="text-align: center;"><b>KARRETS SONDE DEFEKT</b></p> <p>(hvis sonden er forkert forbundet eller i stykker) (hvis sonden er kortsluttet eller i stykker)</p>	 	 
6	<p style="text-align: center;"><b>KOGER</b></p> <p>(Fejl på Vandvarmerens modstand) (For lang opvarmningstid)</p>		
7	<p style="text-align: center;"><b>MAKSIMALT SIKKERHEDSNIVEAU</b></p> <p>(Meddelelsen visualiseres når vandet i karret når op til det maksimale sikkerhedsniveau hvorover det kan svømme over. Maskinen vil derfor blokere enhver funktion og aktivere afledningselektropumpen). Sluk og tænd igen for maskinen. <b>Kontakt et servicecenter, hvis problemet gentager sig.</b></p>		
8	<p style="text-align: center;"><b>UDEBLIVENDE AFLEDNING.</b></p> <p>Meddelelsen visualiseres hvis der opstår et problem med afledningselektropumpen. Sluk og tænd igen for maskinen og kontakt et servicecenter, hvis problemet gentager sig. <b>Bemærk: Maskinen giver mulighed for at afvikle vaske- og skyllecykluser indtil det maksimale sikkerhedsniveau nås, hvorefter meddelelsen SAFL visualiseres.</b></p>		

1



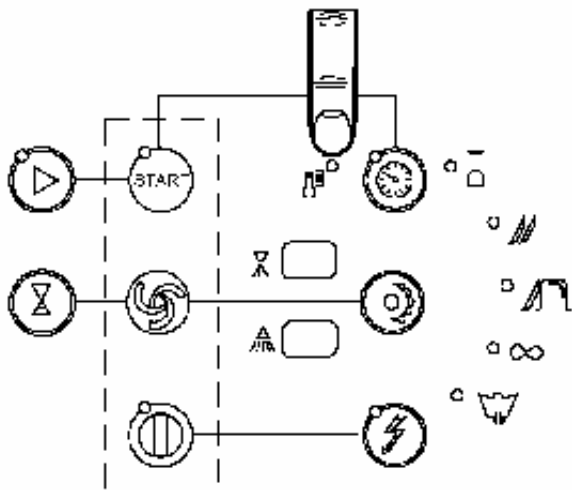
4.1

## KAP. 4 ANVENDELSE AF MASKINEN

### BESKRIVELSE AF STYREANORDNINGERNE

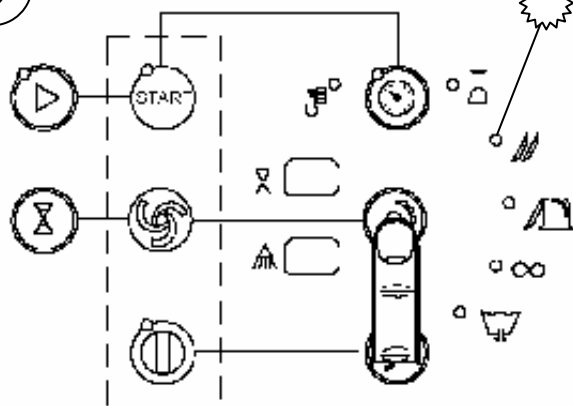
1. Maskinen tændes ved at trykke på knappen angivet ved siden af (den tilsvarende signallampe tændes).

2



2. Når signallampen lyser, er maskinen klar til brug.

3



3. Tryk på knappen angivet ved siden af for at vælge cyklusen.



Kort vaske cyklus



Mellem-lang vaske cyklus

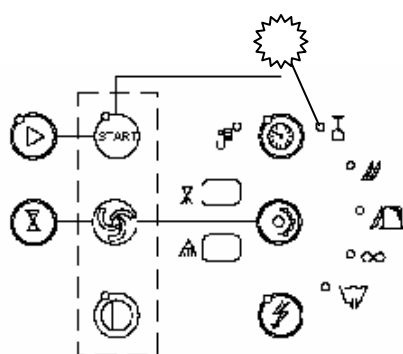
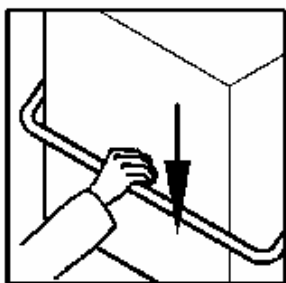


Lang vaske cyklus

Signallampen, der svarer til det valgte produkt, tændes.

**Bemærkning: Vælg programmet "∞", hvis man ønsker at foretage en længerevarende vask.**

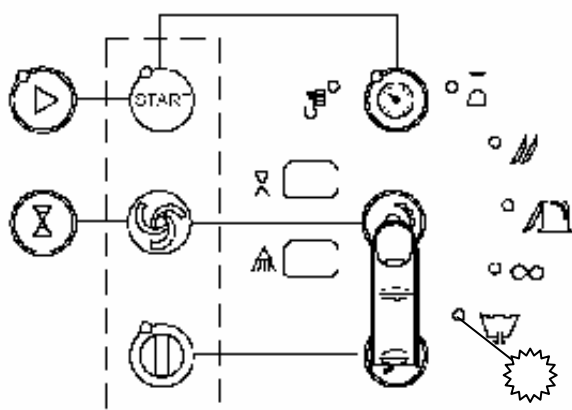
4



4. Tryk på knappen angivet ved siden af og luk for dækslet; maskinen starter automatisk. De efterfølgende vaskeprocesser startes ved ganske enkelt at sænke håndgrebet.

**N.B.: Vasken "∞" afbrydes ved at trykke på knappen (hvis man ønsker at køre andre vaskeprogrammer, skal man gentage procedure nr. 3).**

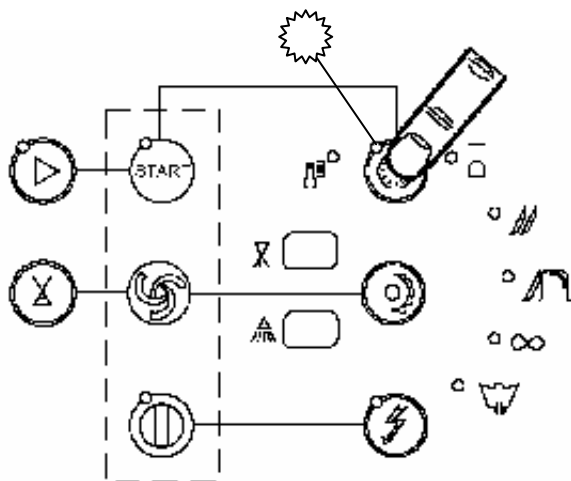
1



#### 4.1.1 Automatisk udtømning af vandet i kammeret (ekstraudstyr).

1. Tryk på knappen angivet ved siden af og vælg det ønskede udtømningsprogram (den tilsvarende signallampe tændes).

2

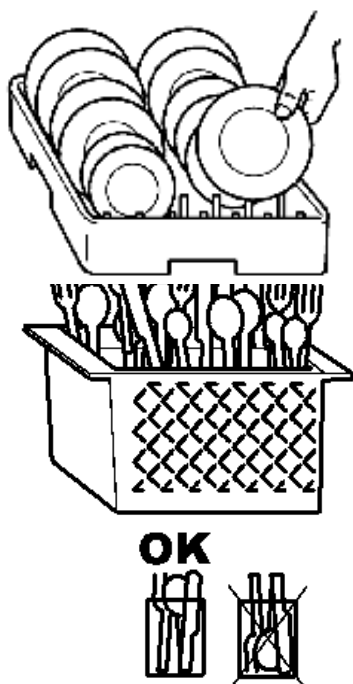
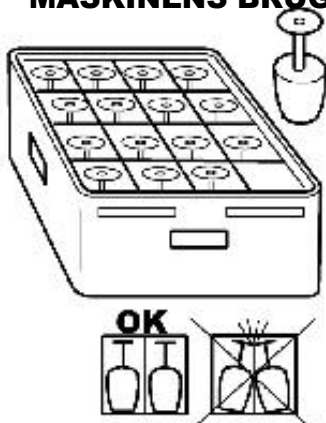


2. Tryk på knappen angivet ved siden af; maskinen tømmer automatisk kammeret for vand.

På modeller med delvis udskiftning af vand, vil maskinen afvikle en autovask af karret under vandafledningen

**MASKINENS BRUG**

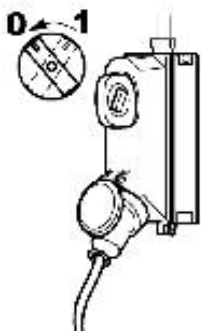
4.2



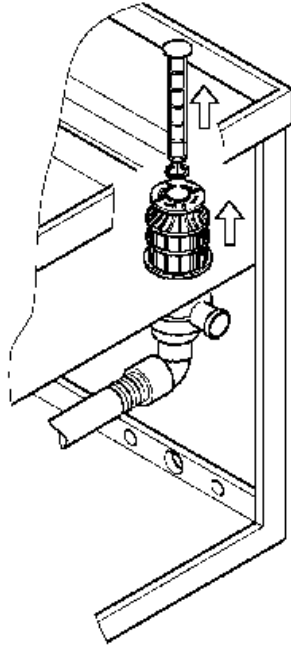
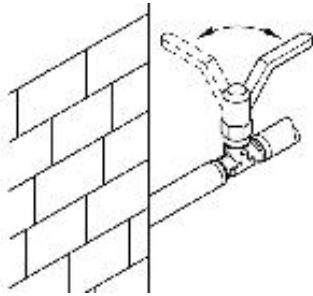
- Der hældes den ønskede mængde vaskemiddel i karret, idet fabrikantes anvisninger for produkte nøje overholdes
- Vaskemidlet, der benyttes, skal være af den lavtskummende slags til industriel brug.
- Læg ikke hænderne ubeskyttede ned i vaskeluden, sæt kopper og glas med bunden opad i kurvene. Placer tallerkner, kopper og glas med bunden opad i kurvene. Placer tallerknerne i den dertilhørende kurv med støttefingre, med indersiden opad .
- Sæt bestik og teskeer med grebet nederst.
- Sætt ikke sølvbestik og bestik i rustfritstål i samme bestikkurv, da dette medfører at sølvtøjet spoles og bestikket i rustfrit stål korroderes.
- Benyt kurve specielt udtænkt til de forskellige slags service (tallekner, glas, kopper, bestik, osv.). For at spare vaskemiddel og strømforbrug, vask kun med fyldte kurve, dog uden at overfylde dem.

For at mindske vedligeholdelsen **MEST MULIGT ANBEFALER VI EN FORRENGØRING** af servicet. Fjernelse af madrester, citronskaller, tandstikker og olivensten osv. som evt. kan tilstoppe elektropumpens filtre, forbedrer væsentlig kvaliteten af det endelige resultat.

Det anbefales at vaske servicet inden eventuelle madrester tørrer ind påoverfladen. I tilfælde af indtørrede rester, er det anbefalelseverdigt at sætte servicet og bestikket i blød, inden det sættes i maskinen.

**4.3 VED ENDT OPVASK**

- Fjern spændigen fra maskinen
- Åben lågen og fjern kurven med den rene opvask.



- Udled vandet fra kummen ved at fjerne flyderen. For modeller med vandudledningspumpe, følg "Brugs Instruktionerne".

- Afbryd general afbryderen.

- Luk den saracenske ventil for den hydrauliske forbindelse.

- Fjern filtrene, rens dem under løbende vand og med en nylon børste.

- Vær opmærksom på, at det snavs, der er efterladt på bunden af vandudledningspumpens filter, ikke falder ned i kummen.

**NOTA:** Vask ikke maskinen med vandkast eller med højtryksrens, idet eventuelle vandinfiltrationer, kan beskadige de elektriske komponenter, hvilket kan forhindre, at maskinen fungerer korrekt. Dette dækkes ikke af garantien.

## KAP. 5 VEDLIGEHOLDELSE

### 5.1 GENERELLE REGLER

Maskinerne er konstruerede for at reducere vedligeholdelses kravene. Reglerne, som følger, må i alle tilfælde respekteres for at garantere en lang holdbarhed og en drift uden vanskeligheder.

I alle tilfælde, må de generelle sikkerhedsregler respekteres for at holde maskinerne i perfekt stand:

- maskinen skal holdes ren og i orden
- undgå at provisoriske reparationer gentager sig

Overhold strengt reglerne for vedligeholdelse; alle maskinens dele skal periodemæssigt efterses for at undgå, at der opstår evt. anomalier.

**Inden start af rengøring, skal strømmen tages fra maskinen.**



## 5.2 PERIODISK VEDLIGEHOLDELSE (skal gennemføres mindst hver 20. dag)

For at lette følgende operationer, kan rammen, der holder kurvene, tages ud.

- Skil den øverste og den nederste skyllearm ad, ved at skrue komponenten indikeret med fra hinanden.
- Skru alle forstøverne af og gør dem rene. Sæt dem på plads igen.
- Skil den øverste og den nederste vaskearme ad ved at skrue skylleaksen ad, rens og skyld dem.
- Fjern vaskepumpens filter gør det rent og skyl det
- Dernæst skal vaskekarret gøres grundigt rent.
- Lad maskinens låg stå åbent under hele hvileperioden.
- Pga. kalk og magnesium indeholdt i vandet opstår der efter en vis periode-afhængig af vandets hårdhedsgrad en tilkalkning indvendigt i vandvarmerkarret og i rørerne, som kan skade driften af maskinen.
- Derfor skal man sørge for en periodemæssig afkalkning, som ve anbefaler udføres af teknisk kvalificeret personale.
- I tilfælde-af at maskinen skulle henstå ubrugt i længere tid skal overfladerne i stål indsmøres i vaselineolie.
- Hvis der er fare for, at der kan opstå is, skal kvalificeret personale tilkaldes for at lede vandet ud, dels af kogeren, dels af vaske pompen.
- **I tilfælde af at maskinen fungerer dårligt eller der er opstået skader, skal De henvende Dem til et teknisk assistance center autoriseret af maskinens konstruktør eller en koncessionsindehaver.**



## KAP. 6 NEDTAGNING

### 6.1 NEDTAGNING AF MASKINEN

På vores maskiner findes intet materiale, der kræver en speciel procedure ved nedtagning.

---

**INNEHÅLLSFÖRTECKNING**

<b>KAP. 1 INLEDNING .....</b>	<b>99</b>
<b>KAP. 2 INSTALLATION .....</b>	<b>99</b>
2.1 FLYTT OCH UPPACKNING .....	99
2.2 ELANSLUTNING .....	100
2.3 HYDRAULANSLUTNING .....	100
2.4 ANSLUTNING TILL AVLOPPSLEDNINGEN .....	101
2.5 REGLERINGAR OCH KONTROLLER .....	101
2.6 DOSERINGSKOPP DISKMEDEL .....	101
2.7 DISKMEDEL .....	102
<b>KAP.3 SÄKERHETSANVISNINGAR .....</b>	<b>102</b>
3.1 ÖVRIGA RISKER OCH VARNINGAR .....	102
3.2 SÄKERHETSANORDNINGAR .....	103
<b>KAP. 4 HUR MASKINEN ANVÄNDS .....</b>	<b>104</b>
4.1 ESKRIVNING AV KOMMANDON .....	104
4.1.1 AUTOMATISK UTTÖMNING I VATTENBEHÅLLARE (TILLVAL) .....	104
4.2 ANVÄNDNING .....	106
4.3 HANDLINGAR VILKA UTFÖRS VID SLUTET AV .....	106
<b>KAP. 5 SKÖTSEL .....</b>	<b>107</b>
5.1 ALLMÄNT .....	107
5.2 PERIODISKT UNDERHÅLL (utförs minst varannan eller var tredje dag) .....	108
<b>KAP. 6 DEMOLERING .....</b>	<b>108</b>
6.1 DEMOLERING AV DISKMASKINEN .....	108

---



## KAP. 1 INLEDNING

Varningsföreskrifterna i denna bruksanvisning ger viktiga säkerhetsanvisningar för installation, användning och underhåll.

Operatören ska läsa denna bruksanvisning före flytt, installation, användning, underhåll eller avställning av denna maskin. Bruksanvisningen ska därför förvaras väl på en säker plats. Ta eventuellt kopior på bruksanvisningen som kan användas för dagligt bruk.

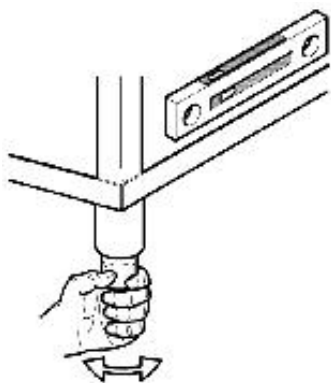
## KAP. 2 INSTALLATION

### 2.1 FLYTT OCH UPPACKNING



- Flytten ska utföras mycket försiktigt med gaffeltruck.
- Kontrollera att maskinen är hel. Meddela omedelbart eventuella synliga skador till återförsäljaren eller transportören som har utfört transporten. Vid tveksamheter ska maskinen inte användas förrän den har kontrollerats av specialiserad personal.
- Transportera maskinen till installationsplatsen och packa upp den ur emballaget.

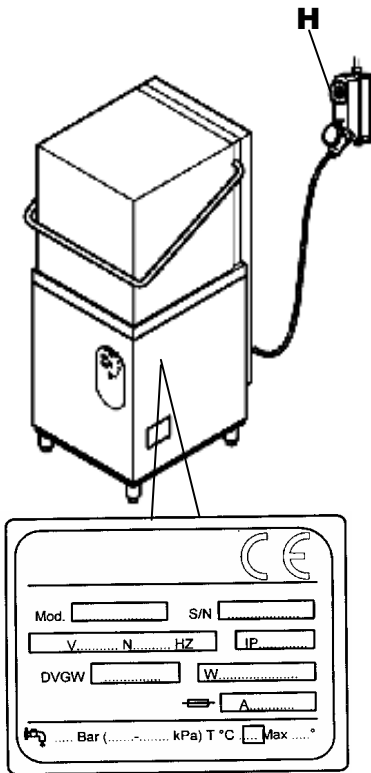
**Emballaget (plastpåsar, frigolit, spikar o.s.v.) ska förvaras oåtkomligt för barn då det utgör en potentiell fara.**

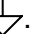


- Installationen ska utföras enligt tillverkarens instruktioner och av kvalificerad personal.
- Denna maskin lämpar sig enbart för en fast anslutning.
- Ställ maskinen på plats och nivellera den med justerfötterna.
- Golvet måste klara maskinens totala vikt.
- Följ anvisningarna i maskinens installationsschema och förbered disklokalens el-, hydraul- och avloppssystem.



## 2.2 ELANSLUTNING

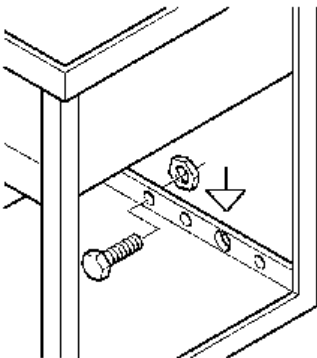


1. Anslutningen till elnätet ska utföras med en huvudströmbrytare(H) den ska vara allpolig och avbryta samtliga kontakter inklusive nollan med ett minsta avstånd mellan kontakterna på 5 mm. Den ska ha ett termomagnetiskt skydd och säkringar som klarar max. märkström.
2. Kontrollera att nätspänningen och –frekvensen överensstämmer med de på märkplåten som är placerad på maskinen högra sida.
3. Ett effektivt jordningssystem i enlighet med gällande säkerhetsföreskrifter garanterar operatörens och maskinens säkerhet.
4. Det är strängt förbjudet att använda adaptrar, multipeluttag och förlängningsladdar.
5. Maskinen bör dessutom ingå i ett ekvipotentialt system, vars koppling sker genom en skruv med symbolen . Ekvipotentialledaren måste ha en indelning på 10mm<sup>2</sup>.



Den medföljande elsladden får endast bytas ut mot en med samma tvärsnitt av typ H07RN-F.

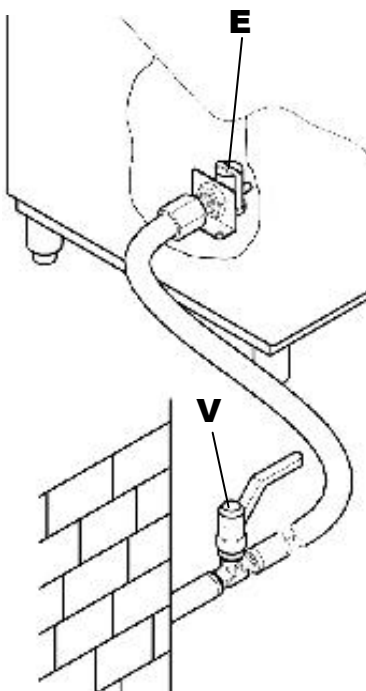
Se bifogat elschema för ytterligare information.



## 2.3 HYDRAULANSLUTNING

Förbered lokalen enligt det bifogade hydraulschemat.

Kontrollera att det har installerats en slussventil mellan vattennätet och maskinen innan maskinen ansluts. Slussventilen gör att det vid behov eller en eventuell reparation går att avbryta vattentillförseln.



Anslut magnetventilen (E) till slussventilen (V) med en slang och kontrollera att vattentillförseln är minst 20 l/min.

**Kontrollera att det tillförda vattnets temperatur och tryck överensstämmer med de på märkplåten.**

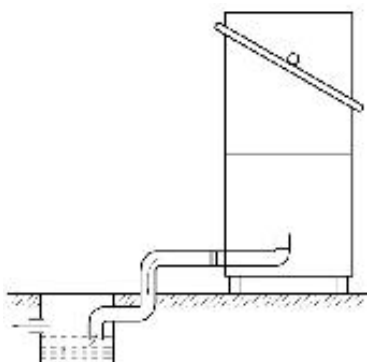
Om vattnets hårdhetsgrad är högre än den som indikeras i tabellen, rekommenderas det att installera en avhårdare före magnetventilen för försörjning av maskinen.

Om det förekommer stora mängder mineraler med hög ledningsförmåga i vattnet, rekommenderas det att installera ett avsaltningssystem som är inställt på att ge en kvarstående hårdhetsgrad enligt tabellen nedan.

	Egenskaper		Från	Till
Hårdhetsgrad	Franska grader	f	5	10
	Tyska grader	°dH	4	7'5
	Engelska grader	°e	5	9,5
	Miljondelar	ppm	70	140
Kvarstående mineraler	Max.	mg/l	300/400	



## 2.4 ANSLUTNING TILL AVLOPPSLEDNINGEN



Tömningen av diskutrymmet sker via självtryck och avloppet måste därför vara placerat lägre än maskinbasen.

Avloppsändan ska anslutas med en slang till en golvbrunn eller ett avlopp med vattenlås.

Maskinavloppets dimensioner anges i installationsschemat.

## 2.5 REGLERINGAR OCH KONTROLLER



Temperaturen i diskbehållaren regleras av ett termostat som är fast inställt på 55° C. Denna temperatur är lämplig för att korrekt utnyttjande av de industriella diskmedlenas kemiska egenskaper. Boilerens temperatur, som regleras av ett fast inställt termostat, är omkring 85° C.



## 2.6 DOSERINGSKOPP DISKMEDEL

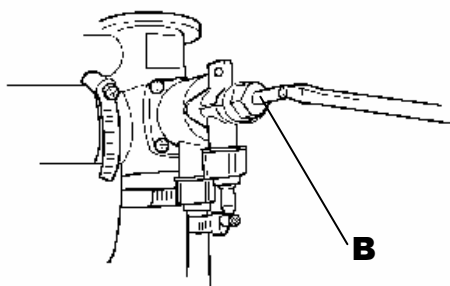
Utför inställningen genom att vrida på axelmuttern (B) som är placerad mitt på doseraren. Vrid den medurs eller moturs för att uppnå en minskning respektive ökning av den tillförda mängden.

**Doseranordningen får inte fungera tom eller förbli tom.**

En överdosering av sköljmedel förorsakar blåaktiga ränder på diskgodset och ger upphov till skumbildningar i diskbehållaren.

Om det däremot finns vattendroppar på diskgodset och torkningen är långsam, innebär detta att doseringsmängden av sköljmedlet inte är tillräckligt.

**7cm rör = 1 g produkt**





## 2.7 DISKMEDEL

### Maskin utan diskmedelsdoserare

Fyll på diskmedel i diskutrymmet enligt tillverkarens rekommenderade doser. Mängden kan variera beroende på typen av diskmedel från 2 till 4 g/l vatten i diskutrymmet. Diskmedlet ska fyllas på cirka var **5:e** disk i den mängd som rekommenderas av diskmedelstillverkaren.

De mängder som indikeras ovan gäller vid en genomsnittlig hårdhetsgrad för vattnet på **5-10°F** (franska grader).

### Maskin med doserare av diskmedel

#### Justeringar:

Med trimmern (A) ställer du in tiden för start/stopp och därmed mängden rengöringsmedel.

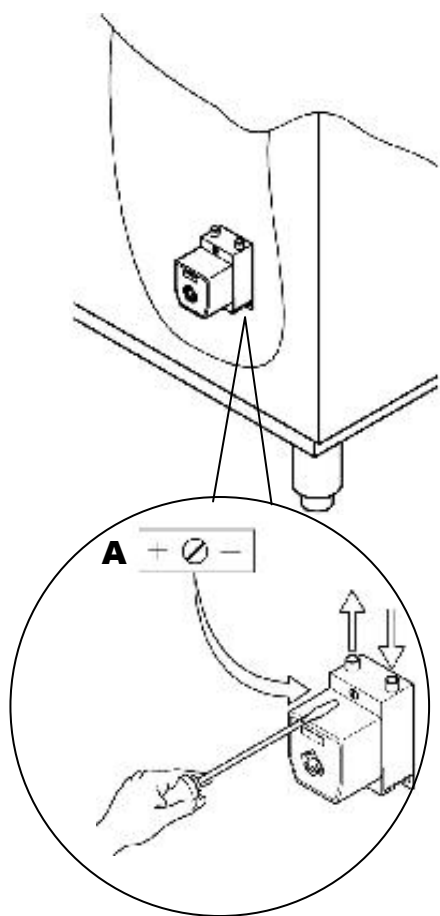
- Vrid trimmern medurs eller moturs för att minska eller öka utflödet av rengöringsmedel.
- Justeringen avslutas med att tvättresultatet kontrolleras vid några tvättar.



#### WARNING!

Nivån i behållaren får aldrig sjunka så mycket att det blir tomt och behållaren får inte fyllas på med frätande eller orena produkter.

Garantin täcker inte skador orsakade av felaktig användning av doseringsanordningen.



## Kap.3 SÄKERHETSANVISNINGAR



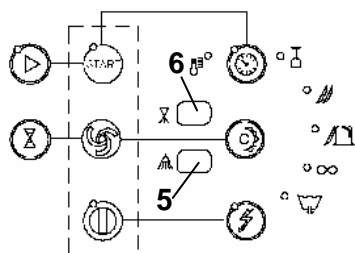
### 3.1 ÖVRIGA RISKER OCH VARNINGAR

- Öppna aldrig luckan till maskinen hastigt om programmet inte har avslutats.
- Stoppa aldrig oskyddade händer i tvättvattnet.
- Ta aldrig bort maskinens paneler om tillförseln ovanför maskinen inte först har kopplats ur.
- Den specialiserade personal som utför installationen och den elektriska anslutningen skall visa användaren hur maskinen fungerar samt de eventuella säkerhetsåtgärder som skall iakttas.
- Installatören skall även ge användaren praktiska demonstrationer om hur den skall användas samt förse de skriftliga instruktioner som levereras tillsammans med själva maskinen.
- **Denna apparat får endast användas för det bruk den uttryckligen har tillverkats för. Alla andra former av användning räknas som felaktiga och därför farliga.**
- Använd aldrig maskinen utan de skydd (mikrobrytare, paneler eller annat) som iordningställts av tillverkaren.
- Alla eventuella reparationer på maskinen får endast utföras av tillverkaren eller av ett auktoriserat servicecentrum och genom att endast använda originalreservdelar.

- Om ovan nämnda indikationer ej respekteras kan detta leda till att maskinens säkerhet äventyras.
- Maskinen får inte vara ansluten till elnätet då den inte är i funktion.
- Använd de avsedda korgarna för tallrikar och glas.
- Låt inte maskinen utsättas för atmosfäriska substanser.
- Försätt inte maskinen i funktion om den inte har anslutits korrekt till den elektriska och vattenlinjen, med alla säkerhetsanordningar som: spänning, frekvens och säkringar i enlighet med vad som anges på märkplåten.
- Teknikern är skyldig att verifiera att jordanslutningen är god.

Installationsteknikern måste lämna en skriftlig deklARATION beträffande den korrekta installationen och testkörningen i enlighet med gällande normer.

1. Starta aldrig cykeln utan: filtret och överströmningsslangen i tanken.
2. Innan man tömmer maskinen skall man koppla ur den elektriska anslutningen.
3. Låt aldrig magnetiska föremål närma sig maskinen, den kan försättas i funktion även med öppet skydd.
4. Använd aldrig skyddet som avlastningsyta.
5. Rengör inte maskinen genom att rikta en direkt vattenstråle mot den.
6. Maskinen får inte användas av icke auktoriserad personal utan lämplig utbildning eller personal som inte kan utbildas.
7. Starta inte tvättprogrammet under tömningen.
8. Om man uppmärksammar en felfunktion eller ett vattenläckage från maskinen skall man stänga av den omedelbart





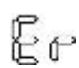

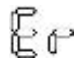
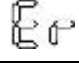


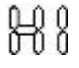

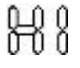
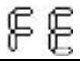
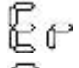

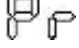


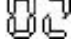
### 3.2 SÄKERHETSANORDNINGAR

Kortet kan känna igen olika felsituationer.

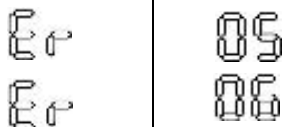
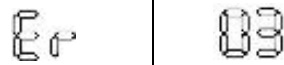

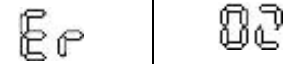
**Funktionsfel visas tydligt genom meddelanden på display (5 och 6) och genom avbrott av eventuella pågående funktioner endast i de fall (1 och 3) som anges nedan.**

**WARNING! Vid avstängning och påföljande tändning av maskinen nollställs signaleringen. Den återkommer senare om problemet inte har lösts.**

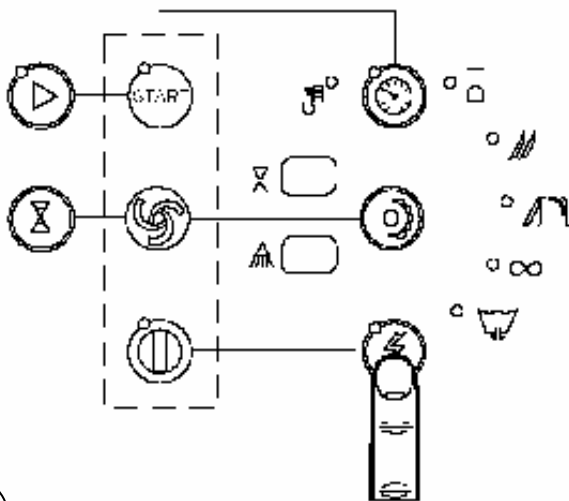
Meddelande som visas på bildskärmen

	<b>UPPTÄCKT FELFUNKTION:</b>	<b>Kokare (6)</b> 	<b>Vattenbehållare (5)</b> 
<b>1</b>	<b>VATTNET HAR INTE FYLLTS PÅ ELLER HAR SVÄMMAT ÖVER I BEHÅLLAREN</b> (om korrekt nivå inte uppnåtts i vattenbehållaren efter $\geq 10$ min)		
<b>2</b>	<b>SONDFEL KOKARE</b> (Om sonden inte anslutits korrekt eller är skadad) (om sonden har kortslutits eller är skadad)	 	 
<b>3</b>	<b>ÖVERTEMPERATURER</b> (För hög temperatur i kokare/behållare) (Ingrepp av termostat)	 	 
<b>4</b>	<b>SKÖLJNING</b> (Ingen sköljning har utförts) (Otilräckligt tryck vid sköljning) (För stort tryck vid sköljning)	  	  



5	<p align="center"><b>SONDFEL VATTENBEHÅLLARE</b></p> <p>(Om sonden inte anslutits korrekt eller är skadad) (om sonden har kortslutits eller är skadad)</p>		
6	<p align="center"><b>KOKARE</b></p> <p>(Fel på kokarens resistans) (För lång uppvärmningstid)</p>		
7	<p align="center"><b>MAXIMAL SÄKERHETSNIVÅ</b></p> <p>(Meddelandet visas när vattnet i tanken når upp till den maximala säkerhetsnivån som om den överskrids kan leda till att vattnet rinner över. Maskinen blockerar i det läget alla funktioner samt aktiverar den elektriska tömningspumpen). Stäng av och slå på maskinen. <b>Kontakta ett servicecentrum om problemet kvarstår.</b></p>		
8	<p align="center"><b>INGEN TÖMNING HAR GJORTS.</b></p> <p>Meddelandet visas när problem har uppstått med den elektriska tömningspumpen eller med avloppsledningarna. Stäng av och slå på maskinen, kontakta ett servicecentrum om problemet kvarstår. <b>OBS: Det är möjligt att köra disk- och sköljningsprogram så länge som vattnet inte når upp till säkerhetsgränsen, därefter visas meddelandet SAFL.</b></p>		

1

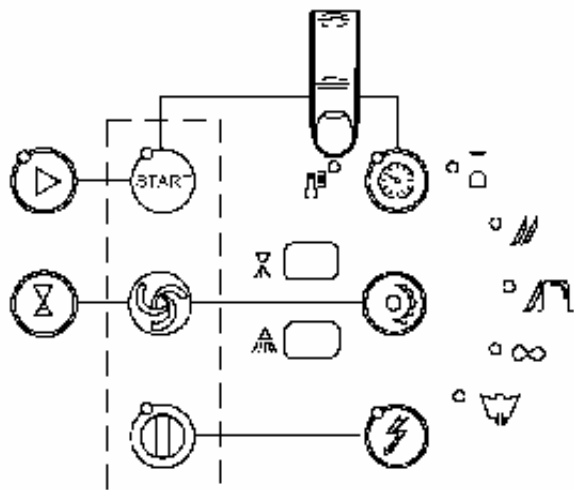


## Kap. 4 HUR MASKINEN ANVÄNDS

### 4.1 BESKRIVNING AV KOMMANDON

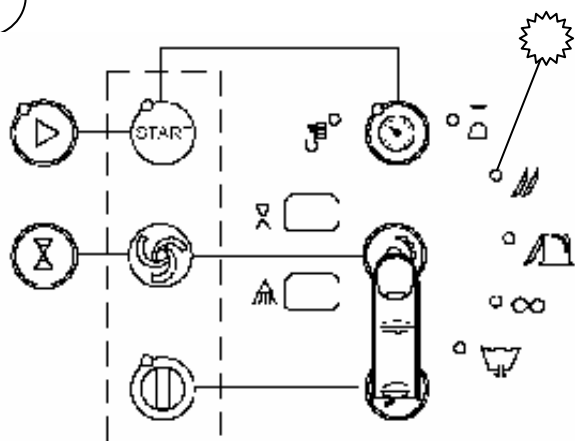
1. Tryck på anvisad knapp på sidan för att starta maskinen (motsvarande varningslampa tänds).

2



2. När signallampen tänds är maskinen klar att användas.

3



3. Tryck på anvisad knapp på sidan för att välja cykel



Kort cykel

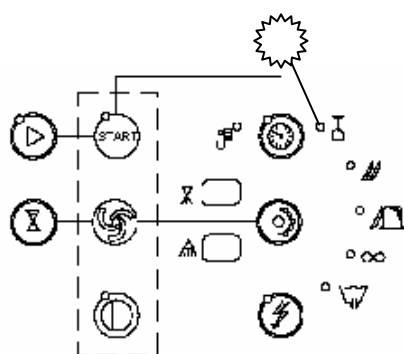
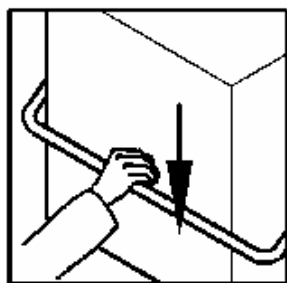
Medium cykel

Lång cykel

Signallampan tänds för den produkt som valts.

**Märk: välj program "∞" för längre diskningar.**

4

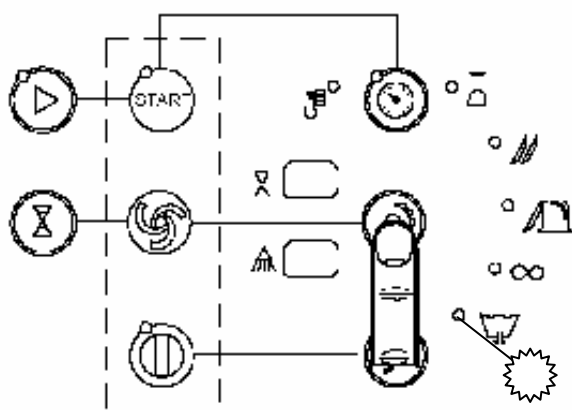


4. Tryck på anvisad knapp på sidan för att stänga maskinlocket: maskinen startar automatiskt.

Vid nästa diskning räcker det att du faller ned maskinens överdel.

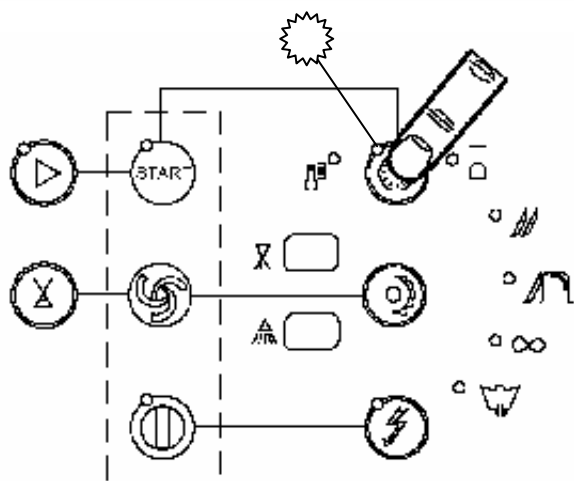
**OBS.: Om du måste avbryta en "∞"-diskning trycker du på tangenten, (om du ska sätta igång nya diskprogram upprepar du moment 3).**

1



1. Tryck på anvisad knapp på sidan och välj tömningsprogram (varningslampan tänds)

2



2. Tryck på anvisad knapp på sidan för automatisk tömning i vattenbehållaren.

## 4.2 ANVÄNDNING



- Följ tillverkarens instruktioner och lägg in den nödvändiga mängden diskmedel i diskbehållaren.

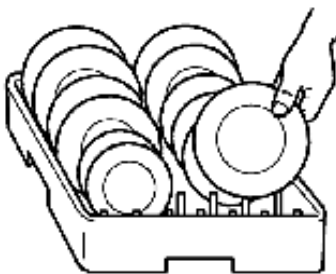
- Diskmedlet skall vara av industriell typ och skumhinderande.

- Doppa inte bara händer i tvättluten, placera kopparna och glasen upp och ner i korgarna. Sätt in tallrikarna, i den avsedda korgen med hållare, med den inre sidan uppåtriktad.

- Sätt in besticken och kaffeskedarna, med skaften nedåt .

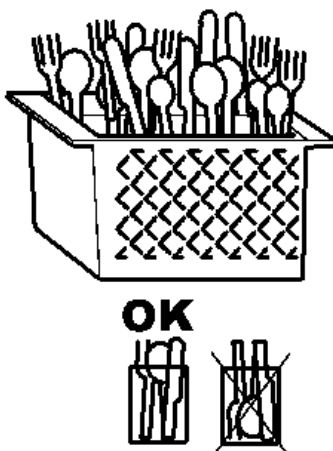
- Placera inte silverbestick och bestick i rostfritt stål i samma bestickkorg, eftersom det skulle kunna orsaka brunering på silvret och sannolik korrosion på det rostfria stålet.

- Använd de särskilda korgarna, avsedda för olika typer av diskgodset (tallrikar, glas, koppar, bestick etc.). För att spara diskmedel och elenergi skall man endast diska med fulla korgar, emellertid utan att överbelasta dem. Undvik att sätta diskgodset ovanpå varandra.

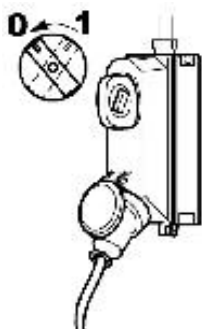


I syfte att minska underhållet till minimum, **REKOMMENDERAR VI EN FÖREBYGGANDE RENGÖRING** av diskgodset. Genom att avlägsna matrester, citronskal, tandpetare, olivkärnor etc, som delvis kan täppa till elpumpens filter, och på så sätt minska effektiviteten av diskningen, förbättras kvalitén och slutresultatet väsentligt.

Diskgodset bör diskas innan matresterna torkar på ytorna. I händelse av torkade matrester bör dessa mjukas upp innan diskgodset och besticken sätts in i maskinen.



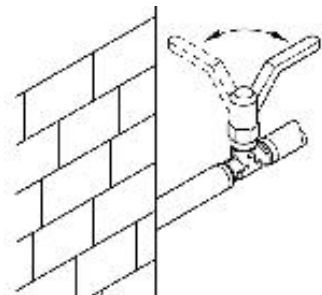
## 4.3 HANDLINGAR VILKA UTFÖRS VID SLUTET AV DISKNINGEN



- Avlägsna spänningen i maskinen.

- Lyft på luckan och ta ut korgen med den rena disken.

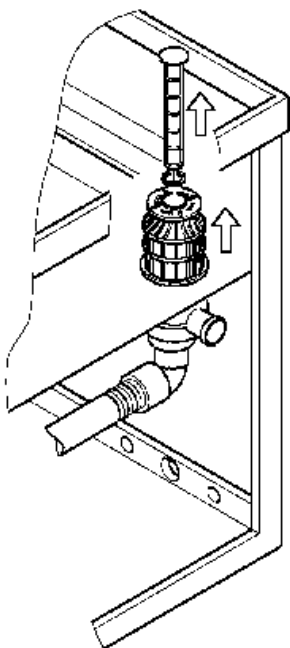
- Tömm ut vattnet från trumman genom att avlägsna det uppfyllande elementet. För modellen med uttömningspump ska man hålla sig till de handlingar som beskrivs i paragrafen "Bruksanvisning".



- Koppla bort generalströmbrytaren på ovansidan av maskinen.

- Stäng jalousinventilen för den hydrauliska kopplingen.

- Avlägsna filtren, rengör dem under rinnande vatten med en diskborste.



- Var noggrann med att inte låta resterande matrester trilla ner på botten av filtret till uttömningspumpen inne i trumman. Rengör trumman med normalrinnande vatten. Rengör de yttre ytorna när de svalnat med icke repande medel, som är specialgjorda för underhåll av stålytor.

**ANMÄRKNING:** Rengör inte maskinen med direkt eller med hårt tryckande rinnande vatten, eftersom eventuella infiltreringar till de elektriska komponenterna skulle kunna tränga in och skada maskinens reglerade funktioner och de olika säkerhetssystemen, och ogiltiggöra garantin.

## KAP. 5 SKÖTSEL

### 5.1 ALLMÄNT

Diskmaskiner med transportör har designats med tanke på en möjligast problemfri och enkel service. Med iakttagande av följande anvisningar, som skall följas i alla fall för garantins skull, kan du förlänga maskinens bruksålder och diskning utan störningar.

- håll maskinen ren och i ordning
- undvik provisorska ogenomtänkta reparationer

Service bör vara regelbunden och omsorgsfull-maskinens delar bör ses över regelbundet för att eventuella problem skall uppdagas och åtgärdas.

**Innan man börjar att rengöra ska man koppla ur maskinens elektriska inmatning.**

## 5.2 PERIODISKT UNDERHÅLL (utförs minst varannan eller var tredje dag)

För att underlätta de följande handlingar kan man ta bort infattningen, som bär upp korgarna, från sitt fäste.

- Plocka isär de övre och undre sköljarmarna, genom att skruva loss låsregeln.
- Skruva loss och rengör alla sprutmunstycken och återmontera dem på plats.
- Plocka isär de övre och undre tvättarmarna genom att skruva loss sköljbulten rengör dem och skölj dem igen.
- Ta bort diskpumpens filter. Rengör det och skölj den.
- Rengör därefter mycket noga diskbehållaren.
- Låt maskinens lucka stå öppen under hela viloperioden.
- På grund av kalciumsalt och magnesiumsalt som förekommer i vattnet bildas, efter en viss driftsperiod som är variabel i förhållande till vattnets hårdhet, på insidan av ytorna i boilerens behållare och av rörledningarna en kalkbeläggning som kan orsaka en försämring av maskinens funktion.
- Därför skall man sörja för att beläggningen periodiskt avlägsnas, vilket vi råder Er att låta utföras av tekniskt kvalificerad personal.
- Om maskinen skall stå överksam under en längre tid skall stålytorna oljas med vaselinolja.
- Om det finns risk för isbildning skall vattnet tömmas från boileren och från diskpumpen av tekniskt kvalificerad personal.
- **I händelse av otillfredsställande funktion eller fel, kontakta uteslutande en servicetjänst som auktoriserats av konstruktören för utrustningen eller av dennes återförsäljare.**



## KAP. 6 DEMOLERING

### 6.1 DEMOLERING AV DISKMASKINEN

Denna diskmaskin kräver inga specialåtgärder vid demolering.

---

**HAKEMISTO**

<b>LUKU 1 ESIPUHE</b> .....	<b>111</b>
<b>LUKU 2 ASENNUS</b> .....	<b>111</b>
2.1 SIIRTÄMINEN JA PAKKAUKSESTA PURKAMINEN .....	111
2.2 SÄHKÖLIITÄNTÄ .....	112
2.3 VESILIITÄNTÄ .....	112
2.4 VIEMÄRILIITÄNTÄ .....	113
2.5 SÄÄDÖT JA TARKISTUKSET .....	113
2.6 HUUHTELUAINEEN ANNOSTELIJA .....	113
2.7 PESUAINE .....	114
<b>LUKU 3 TURVASUOSITUKSET</b> .....	<b>114</b>
3.1 MUITA RISKEJÄ JA VAROITUKSIA .....	114
3.2 VALAITTEISTO .....	115
<b>LUKU 4 KONEEN KÄYTTÖ</b> .....	<b>116</b>
4.1 KYTKINTEN KUVAUS .....	116
4.1.1 AUTOMAATTISESTI TAPAHTUVA VEDENPOISTO ALTAASTA (LISÄTOIMINTO) .....	116
4.2 LAITTEEN KÄYTTÖ .....	118
4.3 KÄYTÖN JÄLKEEN .....	118
<b>LUKU 5 KUNNOSAPITO</b> .....	<b>119</b>
5.1 YLEISTÄ .....	119
5.2 MÄÄRÄAIKAINEN HUOLTO (suoritettava vähintään joka 20. päivä) .....	120
<b>LUKU 6 HÄVITTÄMINEN</b> .....	<b>120</b>
6.1 ASTIANPESUKONEEN HÄVITTÄMINEN .....	120

---



## LUKU 1 ESIPUHE

Tämä opas sisältää tärkeitä ohjeita koskien asennuksen, käytön ja huollon eri vaiheiden turvallisuutta.

Laitekäyttäjällä on velvollisuus tutustua tähän oppaaseen ennen minkään siirto-, asennus-, käyttö-, huolto- tai käytöstä poistamistoimenpiteen suorittamista; on siis tärkeää säilyttää opas kokonaisuudessaan varmassa paikassa koko laitteen käyttöajan ja ottaa oppaasta mahdollisia kopioita usein tapahtuvaa oppaan käyttöä silmälläpitäen.

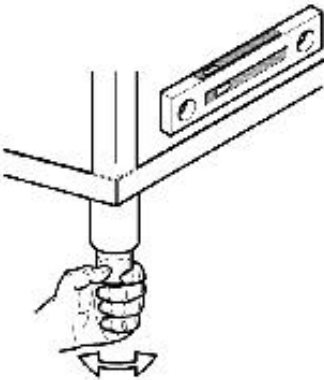
## LUKU 2 ASENNUS

### 2.1 SIIRTÄMINEN JA PAKKAUKSESTA PURKAMINEN



- Laitteen siirtäminen tulee suorittaa erittäin huolellisesti haarukkatrukin avulla.
- Tarkista laitteen eheys ja mikäli siinä on havaittavissa vaurioita, ota välittömästi yhteys laitteen myyjään ja kuljetuksen suorittaneeseen yritykseen. Mikäli et ole varma laitteen kunnosta, älä ota sitä käyttöön ennen kuin ammattitaitoinen henkilö on sen tarkastanut.
- Kuljeta laite sen asentamiseen varattuun tilaan ja pura laite pakkauksesta.

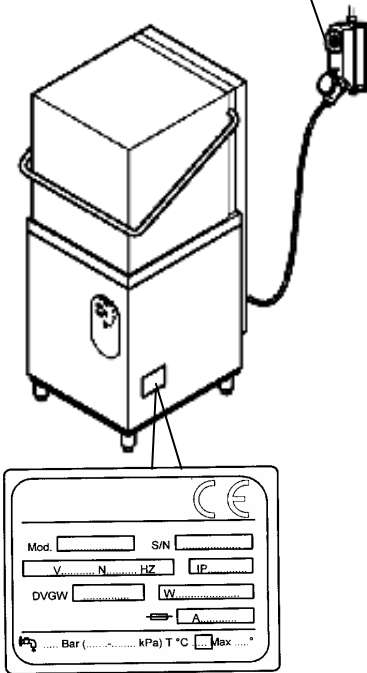
**Pakkausmateriaaleja (muovipussit, styrox-levyt, naulat, jne.) ei saa jättää lasten ulottuville niiden sisältämän vaaran vuoksi.**




- Asennus tulee suorittaa laitevalmistajan ohjeiden mukaan ja ammattitaitoisen henkilön toimesta.
- Tätä laitetta saa käyttää ainoastaan kiinteässä asennuksessa.
- Sijoita laite sille varattuun paikkaan ja huolehdi siitä, että se on täysin suorassa säätämällä tukijalkoja.
- Lattiatason pitää kyetä kantamaan laitteen kokonaispaino.
- Noudattaen asennuskaaviossa annettuja ohjeita, järjestä pesukoneen asennustilan sähkön ja veden jakelu ja viemärointi.



H



## 2.2 SÄHKÖLIITÄNTÄ

1. Verkkoon liittäminen tulee suorittaa pääkatkaisimen välityksellä (H) pääkatkaisimen pitää olla moninapaliitin, joka kytkee irti kaikki koskettimet, myös nollaliittimen ja jossa avointen liittimien välinen etäisyys vähintään 3 mm, varustettu magnetotermisellä turvakytkimellä tai kytketty sulakkeisiin, jotka kykenevät kestäämään tyyppikilvessä osoitetun maksimivirran.
2. Varmistu siitä, että sähköverkon virran jännite ja taajuus vastaavat laitteen tekniset ominaisuudet sisältävässä, laitteen oikealle sivulle kiinnitettyssä tyyppikilvessä osoitettuja arvoja.
3. Voimassa olevien turvamääräysten mukainen tehokas maattokytkeä takaa laitekäyttäjän ja laitteiston turvallisuuden.
4. On ehdottomasti kiellettyä käyttää sovittimia, monijakopistorasioita ja jatkojohtoja.
5. Koneiston täytyy sitäpaitsi sisältyä ekvipotentiaaliseen systeemiin, jonka yhteys järjestetään yhden ruuvin,  tunnistettu symbolilla. Ekvipotentialin johdolla täytyy olla 10 mm<sup>2</sup> osa.



Laitteen mukana toimitettava virran syöttöjohto voidaan korvata ainoastaan H07RN-F-tyyppisellä johdolla, jossa sama poikkileikkaus.

Lisätietoja saa liitteenä olevasta sähkökaaviosta.

## 2.3 VESILIITÄNTÄ

Valmisteleva tila liitteenä toimitetun vesiliitäntäkaavion vaatimukset täyttäväksi.

Ennen laitteen liittämistä vesijohtoverkkoon varmistu siitä, että vesijohtoverkon ja laitteen välille on asennettu sulkuventtiili, jonka avulla veden syöttö voidaan keskeyttää tarpeen vaatiessa tai korjausten ajaksi.

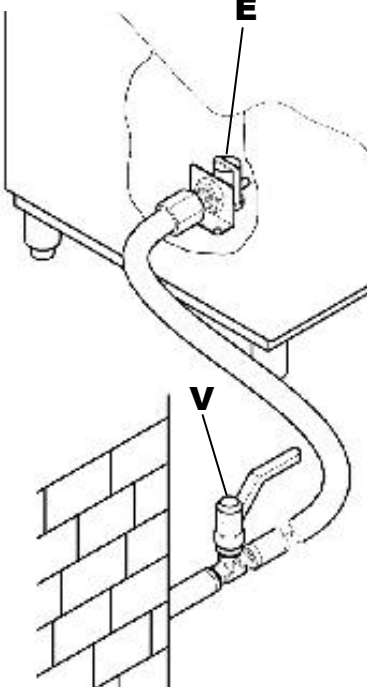
Liitä joustavan letkun avulla syötön elektroniventtiili (E) sulkuventtiiliin (V) ja varmistu siitä, että virtauskapasiteetti on vähintään 20 litraa minuutissa.

**Varmistu siitä, että syöttöveden lämpötila ja paine vastaa tekniset ominaisuudet osoittavassa kilvessä esitettyjä arvoja.**

Mikäli veden kovuusaste on suurempi kuin on osoitettu taulukossa, on suositeltavaa asentaa kalkinpoistolaitte laitteen vedensyöttöpuolen elektroniventtiilin yläpuolelle.

Mikäli veden jäljellejäävien mineraalien pitoisuus on erittäin korkea, on suositeltavaa asentaa kalibroitu mineraalinpoistolaitteisto, jotta saadaan aikaan seuraavassa taulukossa osoitettu veden kovuus.

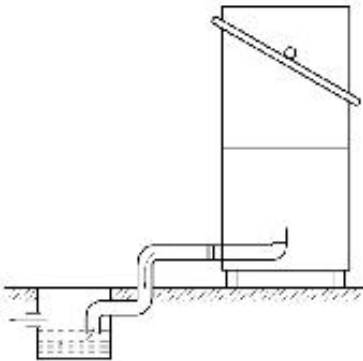
E



	Ominaisuudet		Alkaen	Saakka
Kovuus	Ranskalaiset asteet	f	5	10
	Saksalaiset asteet	°dH	4	7'5
	Englantilaiset asteet	°e	5	9,5
	Miljoonasosia	ppm	70	140
Jäännösmine raalit	Maksimi	mg/l	300/400	



## 2.4 VIEMÄRILIITÄNTÄ



Altaan tyhjennys tapahtuu painovoiman avulla, jonka vuoksi viemärointi tulee sijoittaa laitteen alustaa alemmalle tasolle.

Tyhjennysputki pitää liittää joustavan letkun avulla viemärikaivoon tai lattiaan sijoitettuun lapolla varustettuun lattiakaivoon.

Laitteen tyhjennysputkiston mitat on osoitettu liitteenä toimitetussa asennuskaaviossa.

## 2.5 SÄÄDÖT JA TARKISTUKSET



Pesualtaan lämpötila on säädetty kiinteän termostaatin avulla noin 55:een C. Tämä lämpötila soveltuu teolliseen pesuun tarkoitettujen pesuaineiden kemiallisten ominaisuuksien oikeaan hyödyntämiseen.

Lämmittimen kiinteän termostaatin avulla säädetty lämpötila on noin 85 C.



## 2.6 HUUHTELUAINEEN ANNOSTELIJA

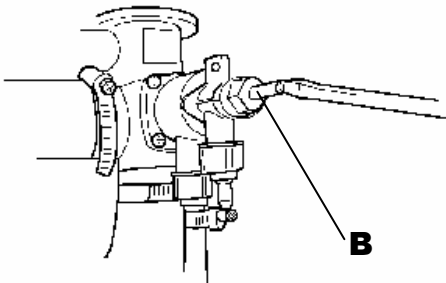
Säätö suoritetaan annostelijan keskiosaan sijoitetun mutterin (B) avulla kiertäen sitä myötä- tai vastapäivään saaden siten aikaan joko laitteen annosteleman määrän väheneminen tai lisääntyminen.

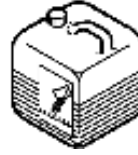
**Annostelijaa ei saa pitää toiminnassa ilman kirkastetta tai jättää sitä kuivaksi.**

Liiallinen kirkasteen annostus jättää sinertäviä raitoja astioihin ja aiheuttaa vaahdon syntymistä pesualtaassa.

Sen sijaan astiat, joihin on jäänyt vesipisaroita ja jotka kuivuvat melko hitaasti ovat osoituksena siitä, että kirkasteen määrä on riittämätön.

**7 cm putkea = 1 gr valmistetta**





## 2.7 PESUAINNE

### Laitteet ilman pesuaineen annostelulaitetta

Sijoita pesuainetta kaukaloon valmistajan suosittelema määrä. Määrä voi vaihdella 2-4g/pesualtaan sisältämää vesilitraa kohti. Pesuainetta lisätään noin joka 5 pesun jälkeen pesuaineen toimittajan suosittelema määrä.

Yllämainitut määrät koskevat keskikovaa **5-10°F** (ranskalaiset asteet) vettä.

### Kone, jolla on pesuaineenjakajaa

#### Säädöt

Käynnistys-/sammutusaikaa ja tämän johdosta myös pesuaineen määrää säädetään siis säätölaitteen (**A**) avulla.

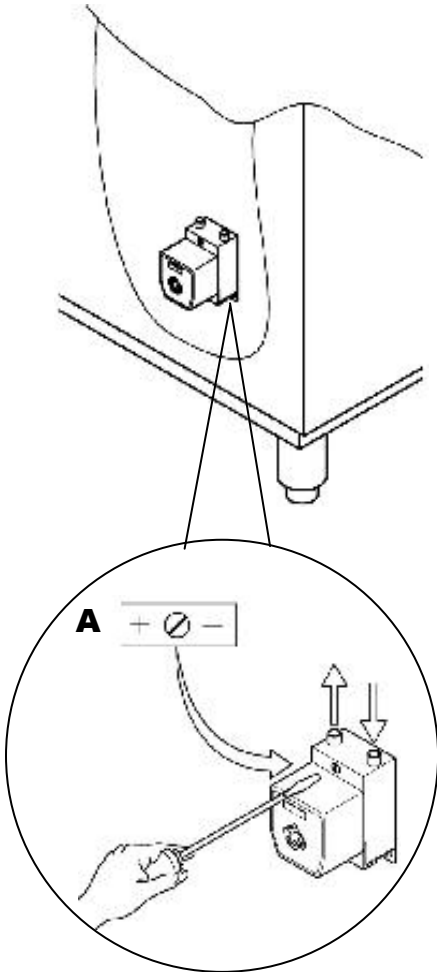
- Käännä säätölaitetta myötä- tai vastapäivään, jolloin syötön määrää joko lisätään tai vähennetään.
- Hienosäätö on suoritettava muutamien pesujen tuloksen perusteella.



#### **HUOMIO!**

Säiliön tasoa ei saa koskaan laskea täysin tyhjäksi. Säiliöön ei saa kaataa syövyttäviä tai likaisia tuotteita.

Takuu ei vastaa vahingoista, jotka johtuvat annostelijan virheellisestä käytöstä.



## LUKU 3 TURVASUOSITUKSET



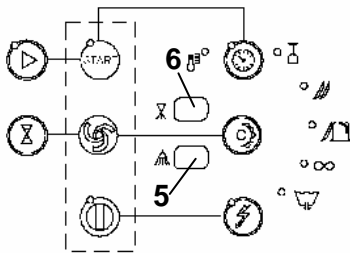
### 3.1 MUITA RISKEJÄ JA VAROITUKSIA

- Älä koskaan avaa koneen luukkua äkkinäisesti, ellei pesujakso ole päättynyt.
- Älä koskaan upota paljaita käsiäsi pesuliukokseen.
- Älä koskaan poista koneen paneeleita, ennen kuin olet katkaissut virran syötön koneeseen.
- Koneen asennuksen ja sähköliitännöjen suorittamisesta huolehtivien ammattilaisten on opastettava käyttäjää koneen toimintaan liittyvissä asioissa ja annettava tietoa mahdollisista turvatoimenpiteistä, joita sen käytössä on syytä noudattaa.
- Asentajan on lisäksi käytännön esimerkein havainnollistettava koneen käyttäjälle, miten konetta käytetään, ja jätettävä tälle koneen mukana toimitettavat kirjalliset ohjeet.
- **Tätä laitteistoa saa käyttää ainoastaan siihen tarkoitukseen, johon se on nimenomaisesti suunniteltu. Kaikki muu käyttö katsotaan epäasianmukaiseksi ja siten vaaralliseksi.**
- Älä koskaan käytä konetta ilman koneen valmistajan siihen asentamia suojalaitteita (mikrokytkimiä, paneeleita tms.).

- Mahdolliset korjaustyöt saa antaa ainoastaan koneen valmistajan tai valtuutetun huoltokeskuksen tehtäväksi ja niissä saa käyttää ainoastaan alkuperäisiä varaosia.
- Ellei yllä lueteltuja ohjeita noudateta, laitteisto ei välttämättä ole turvallinen.
- Kun konetta ei käytetä, siitä on katkaistava virta.
- Aseta lasit ja lautaset niille tarkoitettuihin koreihin
- Älä altista konetta pakkaselle, sateelle tai muille ilmastotekijöille.
- Älä käynnistä konetta, ellei sitä ole liitetty asianmukaisesti sähkö- ja vesijohtoverkkoon, elleivät kaikki sen turvalaitteet ole toiminnassa tai elleivät jännite, taajuus ja sulakkeiden koko vastaa arvokilvessä ilmoitettuja.
- Teknicon on ehdottomasti tarkastettava, että maadoitus toimii asianmukaisesti.

Asennuksen suorittavan teknikon on jätettävä kirjallinen vakuutus siitä, että asennus ja testikäyttö on suoritettu asianmukaisesti, ammattimaisesti ja kaikkien säädösten ja määräysten mukaisesti.

1. Älä koskaan käynnistä pesujaksoa, ellei koneessa ole suodatinta ja ylivuotosuojaa.
2. Muista katkaista sähkövirta ennen koneen tyhjennystä.
3. Älä koskaan vie magneettisia esineitä koneen lähelle, muuten kone saattaa käynnistyä jopa luukun ollessa auki.
4. Älä laske esineitä luukun päälle äläkä nojaa siihen.
5. Älä pese konetta suoralla vesisuihkulla.
6. Koneita eivät saa käyttää muut kuin tehtävään valtuutetut henkilöt, jotka on asianmukaisesti perehdytetty tai voidaan perehdyttää sen toimintaan.
7. Älä käynnistä pesujaksoa tyhjennyksen aikana.
8. Jos havaitset häiriöitä koneen toiminnassa tai jos siitä vuotaa vettä, sammuta kone välittömästi.





Kortti tunnistaa eri vikatilat.

### 3.2 VALAITTEISTO

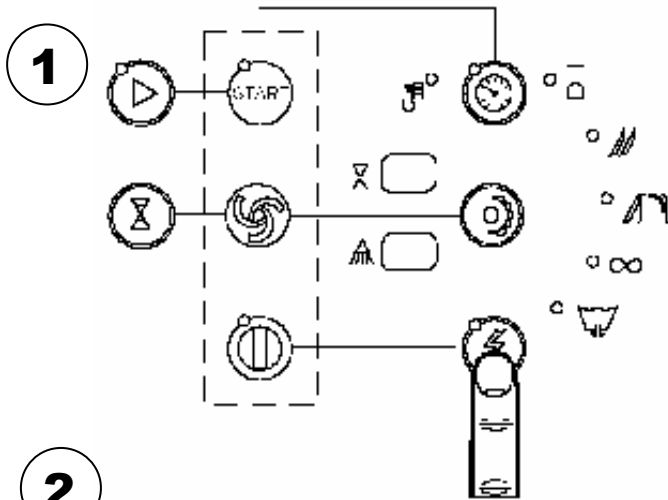
Toimintahäiriöt on helppo huomata näyttöön ilmestyvien viestien (5 ja 6) välityksellä sekä mahdollisten meneillään olevien toimintojen keskeytymisestä vain alla mainituissa tapauksissa (1 ja 3).

**HUOMIO!** Koneen kytkeminen pois päältä ja sitä seuraava käynnistys asettavat toimintahäiriöstä ilmoittavan merkin uudelleen ja se toistuu aina häiriön poistoon asti.

Näyttöissä esiintyvä viesti

	HAVAITUT TOIMINTAHÄIRIÖT:	Boiler (6) 	Allas (5) 
1	<b>ALLAS EI TÄYTTYNYT TAI LIIAN TÄYNNÄ VETTÄ</b> (jos aikaa kulunut $\geq 10$ min. altaassa ei oikea määrä vettä)	E <sub>r</sub>	04
2	<b>VIKA BOILERIN TUNNISTIMISSA</b> (jos tunnistin virheellisesti liitetty tai vioittunut) (jos tunnistimessa oikosulku tai tunnistin vioittunut)	E <sub>r</sub> E <sub>r</sub>	07 08
3	<b>YLIKUUMENTUMINEN</b> (Boilerimessa ja altaassa liian korkea lämpötila) (turvatermostaatin kytkeytyminen)	HI SA	HI FE
4	<b>HUUHTELU</b> (Huuhtelua ei suoritettu) (Huuhtelupaine liian matala) (Huuhtelupaine liian korkea)	E <sub>r</sub> P <sub>r</sub> P <sub>r</sub>	01 01 02

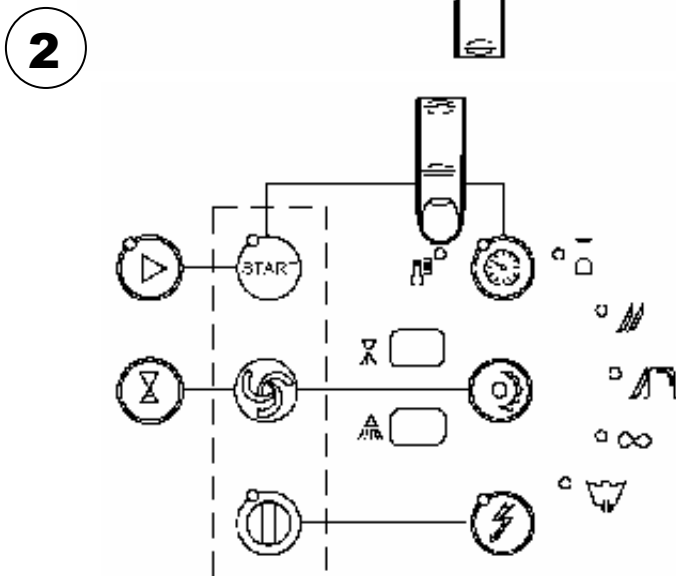
5	<p style="text-align: center;"><b>VIKA ALTAAN TUNNISTIMISSA</b></p> <p>(jos tunnistin virheellisesti liitetty tai vioittunut) (jos tunnistimessa oikosulku tai tunnistin vioittunut)</p>	Er	05 06
6	<p style="text-align: center;"><b>BOILER</b></p> <p>(Vika Boiler-vastuksessa) (Liian pitkä lämmitysaika)</p>	Er	03
7	<p style="text-align: center;"><b>ENIMMÄISTASO SAAVUTETTU</b></p> <p>(Viesti tulee näkyviin, kun veden pinta koneessa saavuttaa enimmäisturvatason, jonka ylityessä vesi saattaa vuotaa yli. Kone keskeyttää kaikki toimintonsa ja käynnistää sähköpumpun, joka tyhjentää koneen.) Sammuta kone ja käynnistä se uudelleen. <b>Jos ongelma jatkuu, ota yhteyttä huoltoon.</b></p>	SA	EL
8	<p style="text-align: center;"><b>KONE EI TYHJENE.</b></p> <p>Viesti tulee näkyviin, kun koneen tyhjennyksestä huolehtivassa sähköpumpussa tai tyhjennysputkissa on vikaa. Sammuta kone ja käynnistä se uudelleen. Jos ongelma jatkuu, ota yhteyttä huoltoon. <b>Huomaa: Koneella voidaan suorittaa pesu- ja huuhtelujaksoja niin kauan, kunnes enimmäistaso saavutetaan: sen jälkeen näkyviin tulee viesti SAFL.</b></p>	Er	02



## LUKU 4 KONEEN KÄYTTÖ

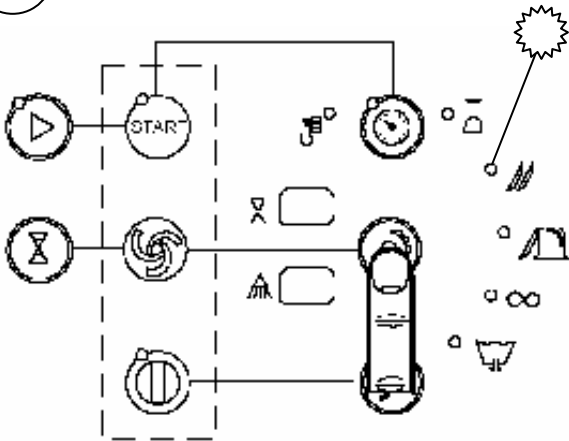
### 4.1 KYTKINTEN KUVAUS

1. Käynnistä kone painamalla kyseistä sivussa olevaa kytkintä (vastaava merkkivalo syttyy).



2. Merkkivalon syttyessä kone on käyttövalmis.

3



3. Paina sivulla osoitettua näppäintä jakson valitsemiseksi



Lyhyt prosessi

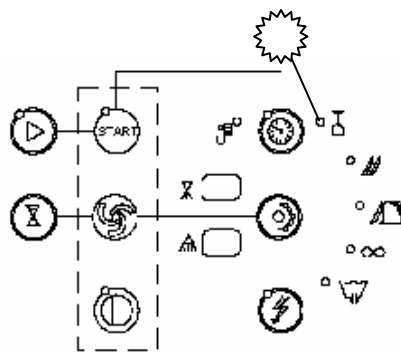
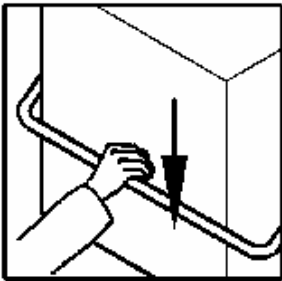
Keski prosessi

Pitkä prosessi

Valittujen tuotteiden kohdalla oleva merkkivalo syttyy.

**Huom.** Pitkien pesuohjelmien suorittamiseksi valitaan "∞" -ohjelma.

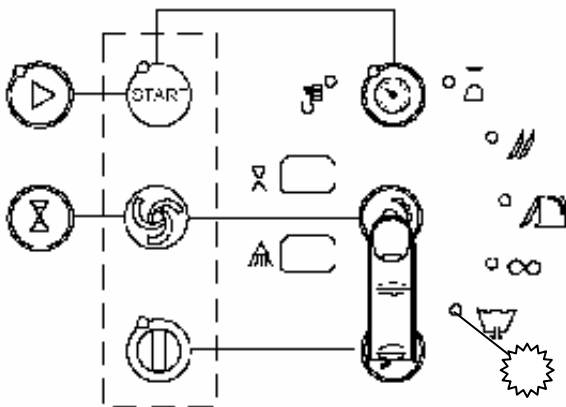
4



4. Paina kyseistä sivussa olevaa kytkintä ja sulje kupu, kone aloittaa pesuohjelman automaattisesti. Seuraavilla pesukerroilla riittää, että yläosa lasketaan alas.

**Huom.** "∞" -pesuohjelma keskeytetään näppäintä painamalla (uusien pesuohjelmien käynnistämiseksi toistetaan kohta nro 3).

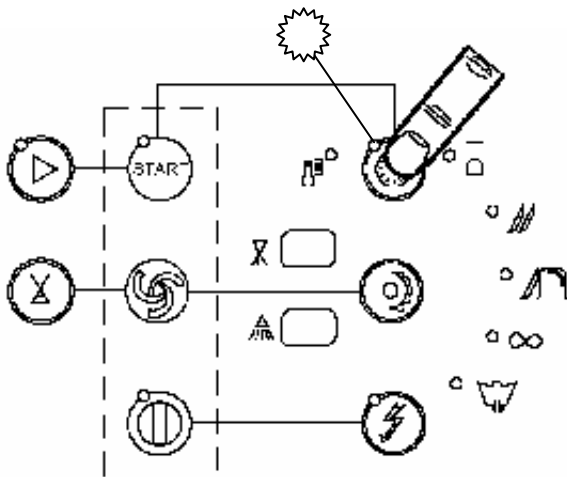
1



#### 4.1.1 Automaattinen tyhjennys, kun koneessa on vettä (lisävaruste)

1. Paina kyseistä sivussa olevaa kytkintä ja valitse vedenpoisto-ohjelma (vastaava merkkivalo syttyy).

2



2. Paina viereisessä kuvassa näkyvää painiketta: kone poistaa automaattisesti koneessa olevan veden.

Malleissa, joissa on osittainen vedenvaihto, kone suorittaa tyhjennyksen aikana koneen sisäosien automaattisen pesun.

## 4.2 LAITTEEN KÄYTTÖ



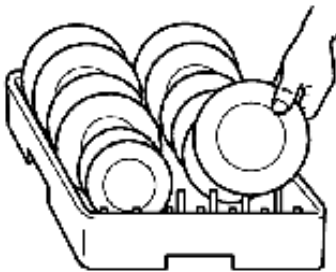
- Valmistajan ohjeita noudattaen pankaa pesualtaasen oikea määrä pesuainetta.

- Pesuaineen tulee olla matalavaahtoista ja teolliseen pesuun tarkoitettua.

- Älkää upottako paljaita käsiä pesuveteen , asettakaa kupit ja lasit alassuin koreihin. Asettakaa lautaset niille tarkoitettuun tukikannattimilla varustettuun koriinn sisäpinta ylöspäin.

- Asettakaa aterimet ja kahvilusikat kahva alaspäin.

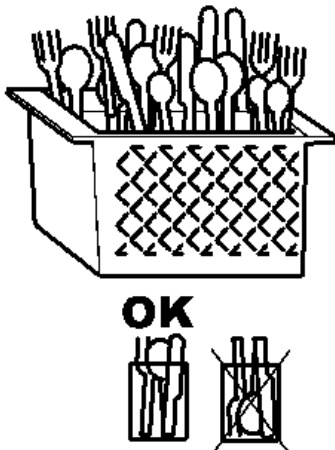
- Älkää panko hopeisia ja teräksisiä aterimia samaan aterinkoriin. Siitä saattaa aiheutua hopean tummuminen ja mahdollisesti ruostumattoman teräksen syöpyminen. Milloin vain mahdollista, peskää lasit ja lasilautaset ensimmäisinä.



- Käyttäkää erityisiä koreja, jotka on vartavasten suunniteltu erityyppisille astioille (lautaset, lasit, kupit, aterimet jne.) Säästääksenne pesuainetta ja sähköä , peskää vain täysiä korillisia kuitenkaan täyttämättä niitä liian täyteen. Välttäkää panemasta astoita päällekkäin.

Vähentääksenne mahdollisimman paljon laitteelle suoritettavia huoltotoimia, **SUOSITTELEMME ESIPESUN SUORITTAMISTA** lautasille. Sähköpumpun suodatinta mahdollisesti osittain tukkivien ja siten laitteen tehoa heikentävien ruuan tähteiden, sitruunan kuorien, hammastikkujen, oliivin kivien jne. poistaminen parantaa oleellisesti lopputuloksen laatua.

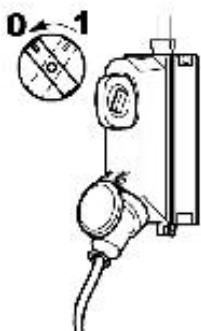
**On suositeltavaa pestä astiat ennen kuin ruuan tähteet ennättävät kuivua niiden pinnalle. Mikäli astioissa on kovettuneita ruokatahroja, on syytä suorittaa astioiden liotus ennen astioiden ja aterimien panemista koneeseen.**

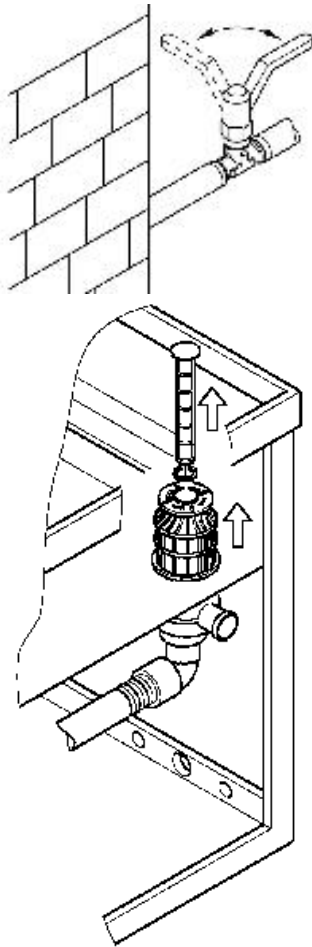


## 4.3 KÄYTÖN JÄLKEEN

- Poistaa painetta koneesta virrankatkaisutoiminnalla

- Nostaa kansi ja vetää kori puhtailla keittiöastioilla.





- Poistaa altaan vesi nostaan ylisyoekyelluke. Poistopumpun mallissa noudatetaan selitettyä toimitusta " Käyttö ohjeen " pykälässä.
- Irroittaa päävirrankatkaisin koneesta.
- Sulkea sulkuventtiili hydraulisen yhteyden takia.
- Poistaa suodatimet, puhdistaa ne juoksevassa vedessä nailon harjalla.
- Ottaa huomioon ettei saa tippua poistopumppuun likaista jätettä puhdistettaessa altaan sisällä pohjalla devan poistopumpun suodatinta. Puhdistaa allas hillityllä veden heitolla. Pestä ulkopinnat kune ovat kylmiä, ei hiomistuoteilla vaan erikoisesti valmistetuilla tuoteilla teräksen kunnossa pitämiseen.

**HUOMAUTUS:** Ei saa pestä konetta suora heitoilla tai korkealla paineella koska mahdolliset tunkeutumiset sähkö osille voivat vahingoittaa koneen toimintaa ja jokaista turvasysteemiä, seuraksena on takuun menetys

## LUKU 5 KUNNOSAPITO

### 5.1 YLEISTÄ

Astianpesukoneet joissa on astiarata on suunniteltu siten että huolto olisi mahdollisimman yksinkertaista.

Seuraavia ohjeita seuraamalla voi pidentää pesukoneen käyttöikä ja häiriövapaata toimintaa.

astianpesukone on syytä pitää puhtaana ja osat järjestyksessä

on vältettävä tilapäisiä, hätäisiä korjaustoimenpiteitä

Kausittaiset huollot on syytä suorittaa tunnollisestilaitteen osat on tarkastettava säännöllisesti jotta mahdolliset häiriöihin johtavat ongelmat voidaan paikallistaa ja ryhtyä toimenpiteisiin.

**Ennen puhdistustoimintaa irroitetaan sähkövirta koneesta.**



## 5.2 MÄÄRÄAIKAINEN HUOLTO (suoritettava vähintään joka 20. päivä)

helpotaakseen seuraavia toimituksia voi ottaa pois korikantajan kehyksen omasta paikastaan.

- Purkaa ylä- ja alahuuhtelun vipu ruuvaten auki kiinnitys.
- Kiertää auki ja puhdistaa kaikki suihkusuuttimet ja asentaa ne jälleen paikalleen.
- Purkaa ylä- ja alapesun vipu ruuvaten auki huuhtelun tappi. Puhdistaa ja huuhdella ne.
- Irrottaa pesupumpun suodatin. Pestä ja huuhdella suodatin.
- Tämän jälkeen puhdistaa erittäin huolellisesti pesuallas.
- Jättää laitteen kansi auki koko ajaksi jolloin laite on käyttämättömänä.
- Veden sisältämien kalkkisuolojen ja magnesiumin johdosta, laitteen oltua toiminnassa jonkin aikaa, käytetyn veden kovuudesta riippuen lämmittimen altaan ja putkiston sisäosiin muodostuu kalkkikarstaa, joka saattaa häiritä laitteen asianmukaista toimintaa.
- Tästä syystä on tarpeen ajoittain suorittaa kalkkikarstan poisto, joka suositellaan annettavaksi teknisesti ammattitaitoisen henkilökunnan suoritettavaksi.
- Mikäli laite on poissa käytöstä pitkiä aikoja voidelkaa teräsosat vaseliiniöljyllä.

Mikäli on olemassa jäätymisen vaara, antakaa teknisesti ammattitaitoisen henkilökunnan tyhjentää vesi lämmittimestä ja pesupumpusta.



- **Laitteen toimintahäiriön tai vikojen sattuessa, kääntykää yksinomaan laitevalmistajan tai sen myyjäiliikkeen valtuuttaman laitekorjaamon.**

## LUKU 6 HÄVITTÄMINEN

### 6.1 ASTIANPESUKONEEN HÄVITTÄMINEN

Astianpesukone ei vaadi erityistoimenpiteitä hävittämisen yhteydessä.

**ΠΙΝΑΚΑΣ ΠΕΡΙΕΧΟΜΕΝΩΝ**

<b>ΚΕΦ. 1 ΕΙΣΑΓΩΓΗ.....</b>	<b>123</b>
<b>ΚΕΦ. 2 ΕΓΚΑΤΑΣΤΑΣΗ.....</b>	<b>123</b>
2.1 ΜΕΤΑΚΙΝΗΣΗ ΚΑΙ ΑΠΟΣΥΣΚΕΥΑΣΙΑ .....	123
2.2 ΗΛΕΚΤΡΙΚΗ ΣΥΝΔΕΣΗ .....	124
2.3 ΥΔΡΑΥΛΙΚΗ ΣΥΝΔΕΣΗ .....	124
2.4 ΣΥΝΔΕΣΗ ΣΤΗ ΓΡΑΜΜΗ ΑΠΟΧΕΤΕΥΣΗΣ .....	125
2.5 ΡΥΘΜΙΣΕΙΣ ΚΑΙ ΕΛΕΓΧΟΙ.....	125
2.6 ΣΥΣΚΕΥΗ ΔΟΣΟΛΟΓΙΑΣ ΓΥΑΛΙΣΤΙΚΟΥ.....	125
2.7 ΑΠΟΡΡΥΠΑΝΤΙΚΟ .....	126
<b>ΚΕΦ. 3 ΣΥΣΤΑΣΕΙΣ ΑΣΦΑΛΕΙΑΣ .....</b>	<b>126</b>
3.1 ΥΠΟΛΟΠΙΟΜΕΝΟΙ ΚΙΝΔΥΝΟΙ ΚΑΙ ΠΡΟΕΙΔΟΠΟΙΗΣΕΙΣ .....	126
3.2 ΔΙΑΤΑΞΕΙΣ ΑΣΦΑΛΕΙΑΣ.....	127
<b>ΚΕΦ. 4 ΧΡΗΣΗ ΤΟΥ ΜΗΧΑΝΗΜΑΤΟΣ .....</b>	<b>128</b>
4.1 ΠΕΡΙΓΡΑΦΗ ΤΩΝ ΛΕΙΤΟΥΡΓΙΩΝ .....	128
4.1.1 Αυτόματη αποχέτευση του νερού τη λαεκνη (προαιρετικό).....	129
4.2 ΧΡΗΣΗ ΤΗΣ ΣΥΣΚΕΥΗΣ.....	130
4.3 ΕΝΕΡΓΕΙΕΣ ΚΑΤΑ ΤΟ ΤΕΛΟΣ ΤΗΣ ΕΡΓΑΣΙΑΣ.....	130
<b>ΚΕΦ. 5 ΣΥΝΤΗΡΗΣΗ .....</b>	<b>131</b>
5.1 ΓΕΝΙΚΟΙ ΚΑΝΟΝΕΣ .....	131
5.2 ΠΕΡΙΟΔΙΚΗ ΣΥΝΤΗΡΗΣΗ (πρέπει να γίνεται το λιγότερο κάθε 20 ημέρες) .....	131
<b>ΚΕΦ. 6 ΔΙΑΛΥΣΗ .....</b>	<b>132</b>
6.1 ΔΙΑΛΥΣΗ ΤΗΣ ΣΥΣΚΕΥΗΣ .....	132

---



**ΚΕΦ. 1 ΕΙΣΑΓΩΓΗ**

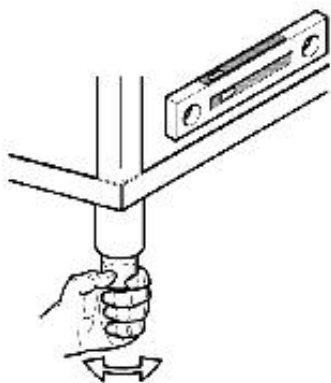
Οι υποδείξεις που περιέχονται στο παρόν εγχειρίδιο προσφέρουν σημαντικές ενδείξεις που αφορούν την ασφάλεια στις διαφορές φάσεις εγκατάστασης, χρήσης και συντήρησης.

Ο χειριστής πρέπει υποχρεωτικά να λάβει γνώση από το παρόν εγχειρίδιο πριν εκτελέσει οποιαδήποτε ενέργεια σχετική με την μετακίνηση, την εγκατάσταση, τη χρήση, τη συντήρηση και τη θέση εκτός λειτουργίας της συγκεκριμένης συσκευής. Κατά συνέπεια το παρόν πρέπει να φυλάσσεται ακέραιο σε ασφαλές μέρος με τη δυνατότητα να υπάρχουν αντίγραφα για τη συχνή συμβούλευσή του.

**ΚΕΦ. 2 ΕΓΚΑΤΑΣΤΑΣΗ****2.1 ΜΕΤΑΚΙΝΗΣΗ ΚΑΙ ΑΠΟΣΥΣΚΕΥΑΣΙΑ**

- Η μετακίνηση πρέπει να πραγματοποιηθεί με απόλυτη φροντίδα χρησιμοποιώντας ανυψωτήρα.
- Εξακριβώστε την ακεραιότητα της συσκευής και σε περίπτωση που υπάρχουν εμφανείς ζημιές πληροφορείστε αμέσως τον πωλητή και τον μεταφορέα που εκτέλεσε την μεταφορά.
- Μεταφέρετε τη συσκευή στον προβλεπόμενο για την εγκατάσταση χώρο απελευθερώνοντάς την από τη συσκευασία της.

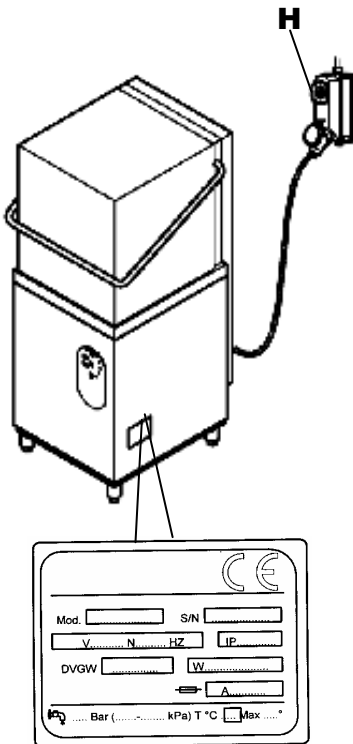
**Φυλάσσετε τα υλικά συσκευασίας (πλαστικές σακούλες, πολυουθεράνη, καρφιά κλπ.) μακριά από τα παιδιά γιατί θεωρούνται επικίνδυνα γι' αυτά.**

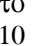


- Η εγκατάσταση πρέπει να πραγματοποιηθεί σύμφωνα με τις οδηγίες του κατασκευαστή και από ειδικά εκπαιδευμένο προσωπικό.
- Η συσκευή αυτή είναι κατάλληλη μόνο για μόνιμη εγκατάσταση.
- Φροντίστε ιδιαίτερα την τέλεια ισοστάθμιση της συσκευής ρυθμίζοντας τα πόδια.
- Η φύση του δαπέδου πρέπει να είναι κατάλληλη για το συνολικό βάρος της συσκευής.
- Ακολουθώντας τις υποδείξεις που αναγράφονται στο σχήμα εγκατάστασης της συσκευής προδιαθέστε, στο χώρο εγκατάστασής της, τα δίκτυα ηλεκτρικής τροφοδοσίας, παροχής νερού και αποχέτευσης.



## 2.2 ΗΛΕΚΤΡΙΚΗ ΣΥΝΔΕΣΗ



1. Η σύνδεση στο ηλεκτρικό δίκτυο πρέπει να πραγματοποιηθεί χρησιμοποιώντας έναν γενικό διακόπτη (H) Πρέπει να είναι με επαφές παντός τύπου, ούτως ώστε να διακόπτει όλες τις επαφές, συμπεριλαμβάνοντας και την ουδέτερη, να έχει ελάχιστη απόσταση μεταξύ των επαφών 3mm., με θερμομαγνητικό μηχανισμό ασφαλείας ή να είναι συνδεδεμένος με εύτηκτα ικανά να αντέξουν το μέγιστο ρεύμα που αναγράφεται στην πινακίδα.
2. Πρέπει να βεβαιωθείτε ότι η τάση και η συχνότητα αντιστοιχούν με εκείνες που αναγράφονται στην πινακίδα με τις τεχνικές προδιαγραφές που βρίσκεται τοποθετημένη στη δεξιά πλευρά της συσκευής.
3. Ένα ικανό δίκτυο γείωσης, που ανταποκρίνεται στους ισχύοντες κανονισμούς πρόληψης, αποτελεί εγγύηση για την ασφάλεια του χειριστή και της συσκευής.
4. Απαγορεύεται αυστηρά η χρήση φίς προσαρμογής, πολλαπλής πρίζας και μπαλαντέζας.
5. Η συσκευή πρέπει να είναι συνδεδεμένη και με ένα σύστημα με ίδια ισχύ, του οποίου η σύνδεση γίνεται με βίδες ενδεδειγμένο με το σύμβολο . Ο αγωγός της ίδιας ισχύος πρέπει να έχει μια τομή 10 χιλιοστών.



Το κορηγούμενο καλώδιο τροφοδοσίας πρέπει να αντικαθιστάται μόνο με ένα άλλο καλώδιο που να έχει την ίδια τομή τύπου H07RN-F.

Για περισσότερες πληροφορίες σας συνιστούμε να συμβουλευθείτε το συνημμένο ηλεκτρικό σχεδιάγραμμα.

## 2.3 ΥΔΡΑΥΛΙΚΗ ΣΥΝΔΕΣΗ

Προδιαθέστε τον χώρο εγκατάστασης σύμφωνα με το συνημμένο υδραυλικό σχεδιάγραμμα.

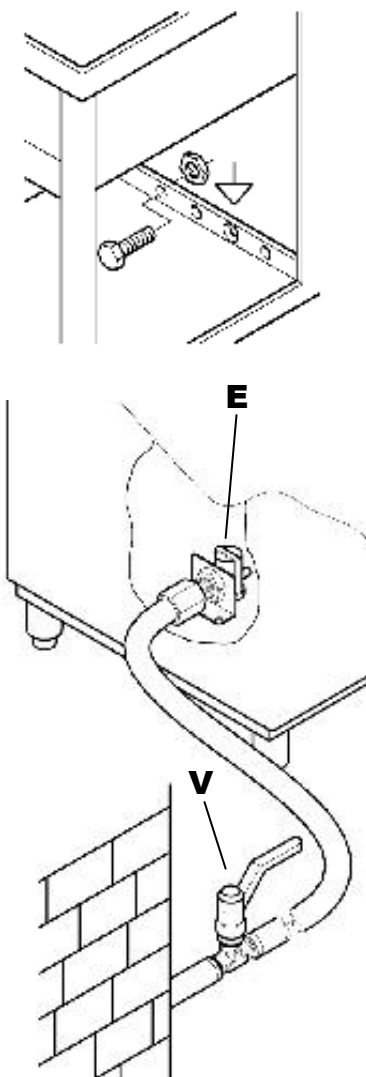
Προτού συνδέσετε τη συσκευή βεβαιωθείτε ότι μεταξύ του δικτύου τροφοδοσίας νερού και της συσκευής έχει τοποθετηθεί μια συρταρωτή βαλβίδα ασφαλείας που επιτρέπει τη διακοπή τροφοδότησης σε περίπτωση ανάγκης ή σε περίπτωση επισκευής.

Χρησιμοποιώντας έναν εύκαμπτο σωλήνα (σπιράλ) συνδέστε την ηλεκτροβαλβίδα παροχής (E) στη βαλβίδα ασφαλείας (V), κατόπιν βεβαιωθείτε ότι η παροχή τροφοδοσίας δεν είναι λιγότερη από τα 20 λ/μιν.

**Πρέπει να βεβαιωθείτε ότι η θερμοκρασία και η πίεση του νερού τροφοδοσίας αντιστοιχούν με εκείνες που αναγράφονται στην πινακίδα με τις τεχνικές προδιαγραφές.**

Σε περίπτωση που η σκληρότητα του νερού προκύπτει να είναι μεγαλύτερη από εκείνη που αναγράφεται στην πινακίδα, σας συνιστούμε να τοποθετήσετε έναν αποσκληρυντή πριν από την ηλεκτροβαλβίδα τροφοδότησης της συσκευής.

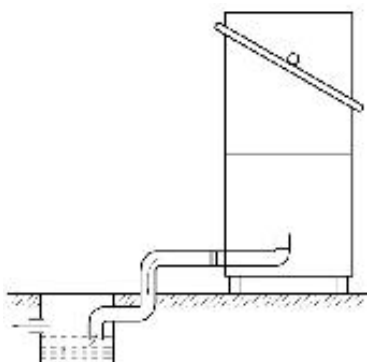
Σε περίπτωση που υπάρχουν υψηλές συμπυκνώσεις μεταλλικών ιζημάτων στο νερό, σας συνιστούμε να τοποθετήσετε μια εγκατάσταση αφαίρεσης των μεταλλικών ιζημάτων κατά τρόπο ώστε να επιτυγχάνεται η σκληρότητα που αναφέρεται στον κάτω πίνακα.



	Ιδιότητες		Από	Μέχρι
Σκληρότητα	Γαλλικοί βαθμοί	f	5	10
	Γερμανικοί βαθμοί	°dH	4	7'5
	Αγγλικοί βαθμοί	°e	5	9,5
	Μέρη στο εκατομμ	ppm	70	140
Μεταλλικά Ιζήματα	Μέγιστο	mg/l	300/400	



## 2.4 ΣΥΝΔΕΣΗ ΣΤΗ ΓΡΑΜΜΗ ΑΠΟΧΕΤΕΥΣΗΣ



Το άδειασμα του κάδου συμβαίνει λόγω βαρύτητας, οπότε η αποχέτευση πρέπει να βρίσκεται σε χαμηλότερο επίπεδο σχετικά με τη βάση της συσκευής.

Το στόμιο εκκένωσης, χρησιμοποιώντας έναν εύκαμπτο σωλήνα, πρέπει να συνδεθεί με ένα φρεάτιο ή με σιφώνι στο δάπεδο.

Οι διαστάσεις της αποχέτευσης της συσκευής περιγράφονται στο σχεδιάγραμμα εγκατάστασης.

## 2.5 ΡΥΘΜΙΣΕΙΣ ΚΑΙ ΕΛΕΓΧΟΙ



Η θερμοκρασία της δεξαμενής πλύσης ρυθμίζεται από ένα σταθερό θερμοστάτη, στους 55 °C . Αυτή η θερμοκρασία ευνοεί τη σωστή εκμετάλευση των χημικών χαρακτηριστικών των απορρυπαντικών για βιομηχανικό πλύσιμο.

Η θερμοκρασία του μπόιλερ, ρυθμισμένη με ένα σταθερό θερμοστάτη είναι γύρω στους 85 °C.



## 2.6 ΣΥΣΚΕΥΗ ΔΟΣΟΛΟΓΙΑΣΤΙΚΟΥ

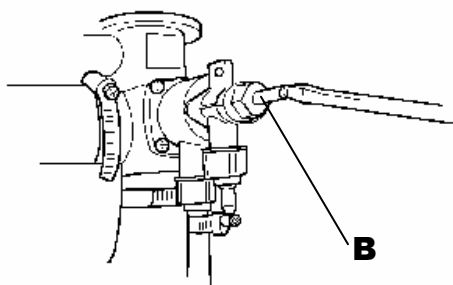
Για να εκτελέσετε τη ρύθμιση πρέπει να ενεργήσετε στον κρίκο (**B**) που βρίσκεται στο κεντρικό μέρος του μετρητή, και στρέφοντάς τον κατά τη φορά του ρολογιού ή αντίστροφα επιτυγχάνετε αντίστοιχα τη μείωση ή την αύξηση της παρεχόμενης ποσότητας.

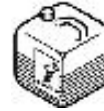
**Ο εγχυτήρας δεν πρέπει να λειτουργεί ή να μένει στεγνός**

Μια υπερβολική δόση γυαλιστικού δημιουργεί μπλέ γραμμές πάνω στα σκεύη και σαπουνάδα στη δεξαμενή πλύσης.

Σκεύη που παρουσιάζουν σταγόνες νερού και αργούν να στεγνώσουν, δείχνουν αντίθετα, ότι η ποσότητα του γυαλιστικού είναι ανεπαρκής.

**7 cm του σωληνα=1 gr προιοντος**





## 2.7 ΑΠΟΡΡΥΠΑΝΤΙΚΟ

### Συσκευή χωρίς μετρητή απορρυπαντικού

Θέστε το απορρυπαντικό στον κάδο σύμφωνα με τις δόσεις που συμβουλεύονται από τον κατασκευαστή. Η ποσότητα αυτή, ανάλογα με το είδος του απορρυπαντικού, μπορεί να διακυμαίνεται ανάμεσα στα 2 και 4 γραμμ./λίτρ. περιεχόμενου στον κάδο νερού. Το απορρυπαντικό πρέπει να προστίθεται κάθε 5 πλυσίματα περίπου στην ποσότητα που συμβουλεύεται από τον κατασκευαστή του απορρυπαντικού.

Οι ανωτέρω αναφερόμενες ποσότητες ισχύουν για μια μεσαία σκληρότητα νερού στους **5-10°F** (γαλλικοί βαθμοί).

Συσκευή με εκχυτήρα απορρυπαντικού **EV 400**

### RUQMISEIS

Ενεργώντας λοιπόν στο τρίμμερ (A) προσδιορίζεται ο χρόνος λειτουργίας/τερματισμού της λειτουργίας και κατά συνέπεια η ποσότητα απορρυπαντικού.

- Γυρίζοντας το τρίμμερ με φορά ίδια με τους δείκτες του ρολογιού και αντίθετα θα έχουμε αντίστοιχα τη μείωση ή την αύξηση της ποσότητας διανομής.
- Για να ολοκληρωθούν οι ρυθμίσεις θα πρέπει να ληφθούν υπόψη τα αποτελέσματα μερικών πλυσιμάτων.



### **PROSOCH!**

Η στάθμη στο δοχείο δεν πρέπει να κατέβει μέχρι να αδειάσει τελείως ούτε να συμπληρωθεί με διαβρωτικά ή ρυπαρά υλικά.

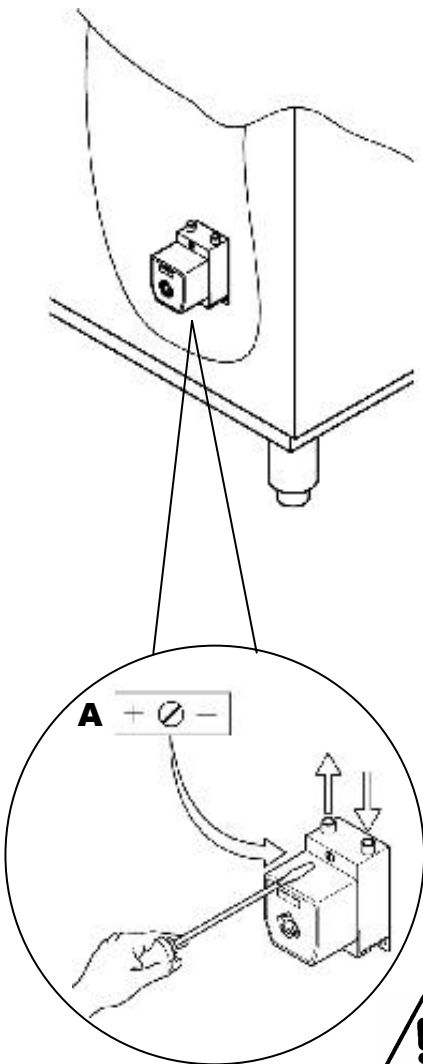
Η εγγύηση δεν καλύπτει ζημιές που προ κλήθηκαν από λανθασμένη χρήση του δοσομετρητή.

## ΚΕΦ. 3 ΣΥΣΤΑΣΕΙΣ ΑΣΦΑΛΕΙΑΣ



### 3.1 ΥΠΟΛΟΙΠΟΜΕΝΟΙ ΚΙΝΔΥΝΟΙ ΚΑΙ ΠΡΟΕΙΔΟΠΟΙΗΣΕΙΣ

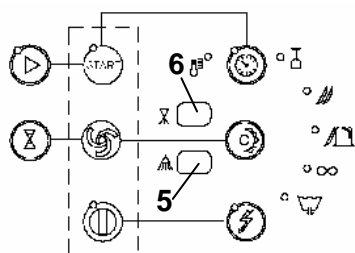
- Μη ανοίγετε ποτέ το καπάκι της συσκευής, αν δεν έχει τελειώσει ο κύκλος.
- Μην βάζετε ποτέ τα χέρια σας χωρίς γάντια στο νερό με τα απορρυπαντικά.
- Μην αφαιρείτε ποτέ τα τοιχώματα της συσκευής, αν δεν διακόψετε προηγουμένως την ηλεκτρική τροφοδοσία.
- Οι εξειδικευμένοι τεχνικοί που θα αναλάβουν την εγκατάσταση και την ηλεκτρική συνδεσμολογία, οφείλουν να εξηγήσουν στο χρήστη τη λειτουργία της συσκευής και τα τυχόν μέτρα ασφαλείας που πρέπει να λάβει.
- Επιπλέον ο εγκαταστάτης πρέπει να δείξει πρακτικά στο χρήστη τους τρόπος λειτουργίας και πρέπει να του αφήσει τις γραπτές οδηγίες, που συνοδεύουν τη συσκευή.
- **Η συσκευή αυτή πρέπει να χρησιμοποιηθεί αποκλειστικά για τους σκοπούς που προορίζεται και είναι σχεδιασμένη. Θεωρείται ακατάλληλη και επικίνδυνη, οποιαδήποτε άλλη χρήση.**
- Μην χρησιμοποιείτε ποτέ τη συσκευή χωρίς τις προστασίες ( μικροδιακόπτες, τοιχώματα ή άλλο) που προβλέπονται από τον κατασκευαστικό όικο.



- Η ενδεχόμενη επισκευή της συσκευής πρέπει να γίνει αποκλειστικά από τον κατασκευαστικό οίκο ή από ένα εξουσιοδοτημένο Σέρβις, χρησιμοποιώντας οπωσδήποτε γνήσια ανταλλακτικά.
- Η παραβίαση των παραπάνω μπορεί να μειώσει την ασφάλεια της συσκευής.
- Μην αφήνετε τη συσκευή συνδεδεμένη στο ρεύμα, όταν δεν την χρησιμοποιείτε.
- Χρησιμοποιείτε τα ειδικά καλάθια για πιάτα ή ποτήρια.
- Μην αφήνετε τη συσκευή εκτεθειμένη στους ατμοσφαιρικούς παράγοντες.
- Μην θέτετε σε λειτουργία τη συσκευή αν δεν είναι σωστά συνδεδεμένη στο ηλεκτρικό και υδραυλικό δίκτυο, με όλες τις διατάξεις ασφαλείας, όπως: τάση, συχνότητα και αμπεράζ ασφαλειών, σύμφωνα με τις προδιαγραφές που αναφέρονται στην πινακίδα της συσκευής.
- Ο τεχνικός οφείλει να βεβαιωθεί για την αποτελεσματικότητα της γείωσης.

Ο εγκαταστάτης υποχρεούται να παραδώσει στο χρήστη μια γραπτή δήλωση για τη σωστή εγκατάσταση και την δοκιμαστική λειτουργία, σύμφωνα με τις κείμενες διατάξεις.

1. Μην θέτετε ποτέ σε λειτουργία τον κύκλο χωρίς: το φίλτρο και την τάπα υπερχειλίσης στο κάδο.
2. Υπενθυμίζουμε να αποσυνδέσετε την ηλεκτρική τροφοδοσία, πριν αφαιρέσετε τα σκεύη από τη συσκευή.
3. Μην πλησιάζετε ποτέ μαγνητικά αντικείμενα στη συσκευή, γιατί μπορεί να τεθεί σε λειτουργία με ανοικτό καπάκι.
4. Μην χρησιμοποιείτε ποτέ το καπάκι για να ακουμπάτε αντικείμενα.
5. Μην πλένετε τη συσκευή με απευθείας εκτόξευση του νερού.
6. Η συσκευή δεν πρέπει να χρησιμοποιείται από άτομα χωρίς κατάρτιση ή που δεν μπορούν να εκπαιδευτούν για αυτό το σκοπό.
7. Μην ξεκινάτε τον κύκλο πλυσίματος, κατά την αποχέτευση.
8. Αν παρατηρήσετε λειτουργική ανωμαλία ή διαρροή νερού στη συσκευή, σβήστε την αμέσως





### 3.2 ΔΙΑΤΑΞΕΙΣ ΑΣΦΑΛΕΙΑΣ

Η καρτα είναι σε θέση να αναγνωρίζει διαφορες καταστασεις βλαβης.

Οι δυσλειτουργίες προβαλονται ευκολα ,απο τα μηνυματα της οθονης (5 και 6) και απο την διακοπη των διαφορων εν ενεργεια λειτουργιων,μονο στις περιπτωσεις (1 και 3) που προβαλλονται παρακατω.

ΠΡΟΣΟΧΗ! Το κλεισιμο και η εν συνεχεια εκκινηση,του μηχανηματος,"σβηνει" την ειδοποιηση, η οποια ακολουθως θα επαναπαρουσιασει εαν δεν εχει λυθει το προβλημα.

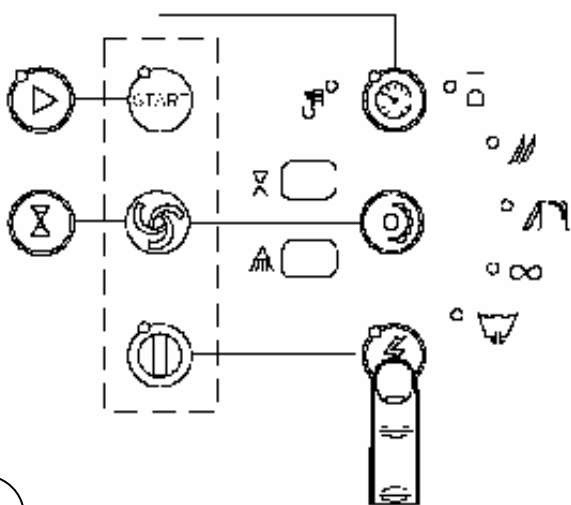
Εικονιζομενο μηνυμα στην οθονη

	ΔΙΑΠΙΣΤΩΜΕΝΗ ΑΝΩΜΑΛΕΙΑΕ :	ΛΕΒΗΤΑΣ (6) 	ΛΕΚΑΝΗ (5) 
1	<b>ΑΠΟΤΥΧΕΣ ΓΕΜΙΣΜΑ Η ΥΠΕΡΧΕΙΛΙΣΗ ΝΕΡΟΥ ΣΤΗ ΛΕΚΑΝΗ</b> (εαν εχει περασει χρονος μεγαλυτερος απο 10', δεν εχει καλυφθει η σωστη σταθμη στη λεκανη)	Er	04
2	<b>ΒΛΑΒΗ ΑΝΙΧΝΕΥΤΩΝ ΛΕΒΗΤΑΣ</b> (εαν ο ανιχνευτης δεν ειναι σωστα συνδεδεμενος η εαν ειναι κατεστραμενος) (εαν ο ανιχνευτης ειναι βραχυκυκλωμενος η εαν ειναι κατεστραμενος)	Er Er	07 08
3	<b>ΥΠΕΡΘΕΡΜΑΝΣΕΙΣ</b> (Υπερβολικη θερμοκρασια λεβητα η λεκανης). (Επεμβαση θερμοστατη ασφαλειας).	Hi SA	Hi FE
4	<b>ΞΕΒΓΑΛΜΑ</b> (Ξεβγαλμα μη εκτελεσθεν) (Ξεβγαλμα πιεση ανεπαρκης) (Ξεβγαλμα πιεση υπερβολικη)	Er Pr Pr	01 01 02

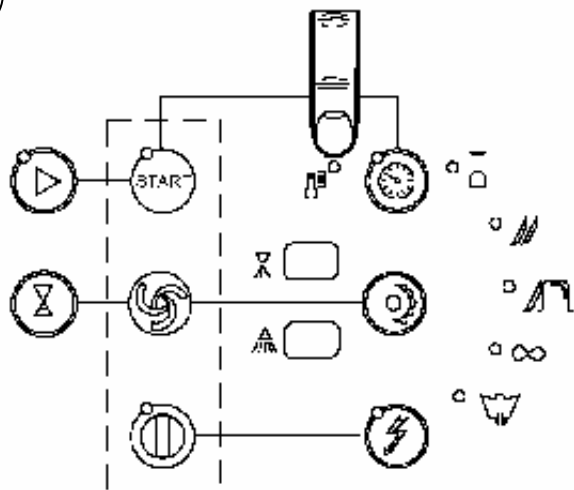


5	<p><b>ΒΛΑΒΗ ΑΝΙΧΝΕΥΤΩΝ ΛΕΚΑΝΗ</b> (εαν ο ανιχνευτής δεν είναι σωστα συνδεδεμενος η εαν είναι κατεστραμενος) (εαν ο ανιχνευτής είναι βραχυκυκλωμενος η εαν είναι κατεστραμενος)</p>	Er	05 06
6	<p><b>ΛΕΒΗΤΑΣ</b> (Βλάβη της αντίστασης του θερμοσίφωνα) (Υπερβολικός χρόνος θέρμανσης)</p>	Er	03
7	<p><b>ΜΕΓΙΣΤΗ ΣΤΑΘΜΗ ΑΣΦΑΛΕΙΑΣ</b> (Το μήνυμα εμφανίζεται όταν το νερό στη λεκάνη φτάνει στη μέγιστη στάθμη ασφαλείας, πέραν από την οποία μπορεί να παρουσιαστεί υπερχειλίση. Κατά συνέπεια η συσκευή σταματάει όλες τις λειτουργίες και ενεργοποιεί την αντλία αποχέτευσης). Σβήστε και ανάψτε τη συσκευή. <b>Αν το πρόβλημα παραμείνει, επικοινωνήστε με ένα κέντρο τεχνικής υποστήριξης.</b></p>	SA	EL
8	<p><b>ΔΕΝ ΕΓΙΝΕ ΑΠΟΧΕΤΕΥΣΗ</b> Το μήνυμα εμφανίζεται όταν υπάρχει πρόβλημα με την ηλεκτροκίνητη αντλία αποχέτευσης ή/και με τους αγωγούς αποχέτευσης. Σβήστε και ανάψτε τη συσκευή. Αν το πρόβλημα παραμένει, επικοινωνήστε με ένα κέντρο τεχνικής υποστήριξης. <b>Σημείωση: Η συσκευή δίνει τη δυνατότητα να εκτελέσετε κύκλους πλυσίματος και ξεβγάλματος μέχρι τη μέγιστη στάθμη ασφαλείας και στη συνέχεια θα εμφανιστεί το μήνυμα SAFL.</b></p>	Er	02

1



2

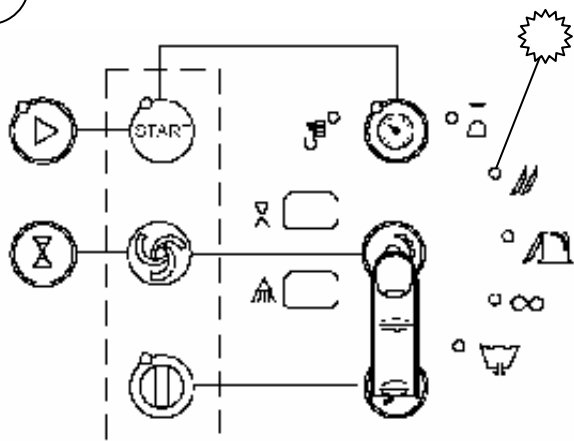


## Κεφ. 4 ΧΡΗΣΗ ΤΟΥ ΜΗΧΑΝΗΜΑΤΟΣ

### 4.1 ΠΕΡΙΓΡΑΦΗ ΤΩΝ ΛΕΙΤΟΥΡΓΙΩΝ

1. Για να ενεργοποιήσετε το μηχάνημα πιεστε το ενδεικνυόμενο πληκτρο στο πλαι. (αναβει η αντιστοιχη ενδειξη).
2. Όταν η ενδειξη φωτισθει, το μηχάνημα είναι ετοιμο προς χρηση.

3



3. Πιέστε το ενδεικνυόμενο πλήκτρο για να επιλέξετε τον κύκλο.



Γρήγορος ος κύκλος



Μεσά ος κύκλος

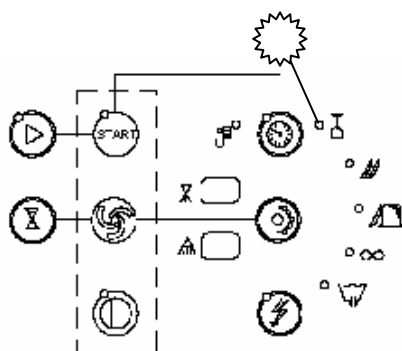
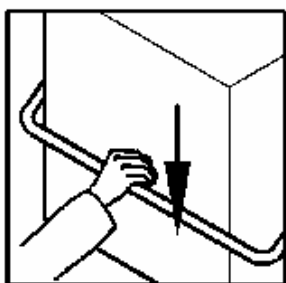


Μεγάλος ος κύκλος

Η ενδειξη αναβει αναλογα με το προιον που εχετε επιλεξει.

**Σημειωση:** Επιλέξτε το προγραμμα "∞" για να πραγματοποιήσετε παρατεταμένες πλυσεις.

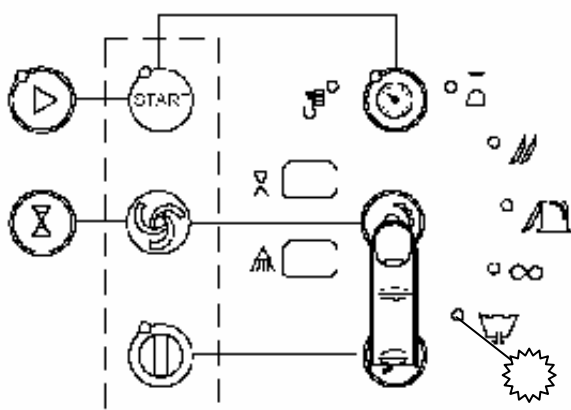
4



- Πιέστε το ενδεικνυόμενο πλήκτρο στο πλαι και κλειστε το καλυμμα, το μηχανημα ξεκινα αυτοματα. Για τις επομενες πλυσεις θα ειναι αρκετο να κατεβετε το καλυμμα.

**ΣΗΜΑΝΤΙΚΟ:** Για να διακοψετε την πλυση η "∞", πατηστε το πληκτρο. (για να εκτελεσετε νεοπρογραμμα πλυσης, επαναλαβατε την διαδικασια αρ.3)

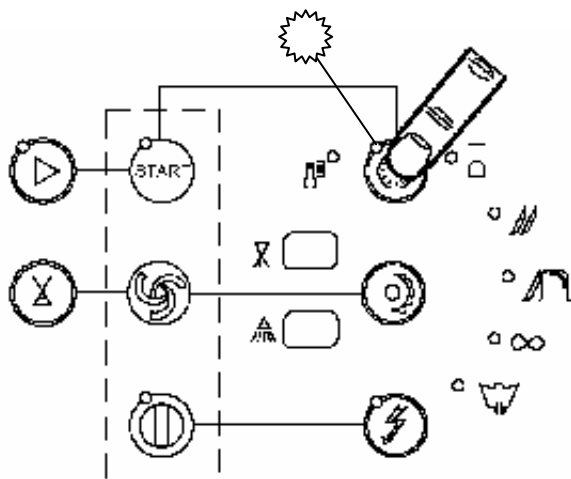
1



#### 4.1.1 Αυτόματη αποχέτευση νερού στη λεκάνη (προαιρετική)

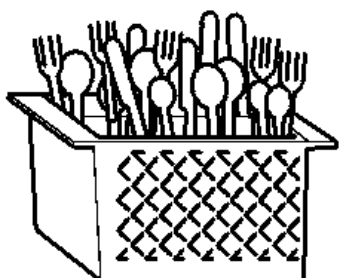
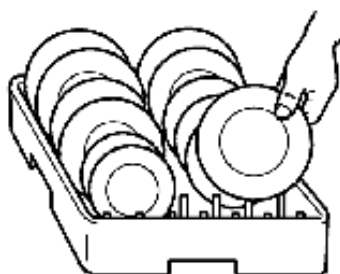
1. Πιέστε το ενδεικνυόμενο πλήκτρο στο πλαι και επιλέξτε το προγραμμα αποχετευσης. (αναβει η αντιστοιχη ενδειξη).

2



- 2 Πατήστε το κουμπί που φαίνεται στην εικόνα δίπλα και η συσκευή θα εκτελέσει αυτόματα την αποχέτευση της λεκάνης. Στα μοντέλα με μερική αλλαγή του νερού, η συσκευή εκτελεί ένα πλύσιμο της λεκάνης κατά την αποχέτευση.

## 4.2 ΧΡΗΣΗ ΤΗΣ ΣΥΣΚΕΥΗΣ

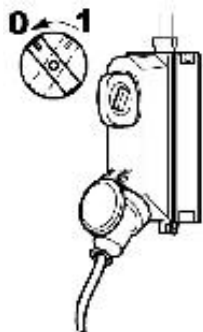


- Ακολουθώντας τις οδηγίες του κατασκευαστή, βάλτε την κατάλληλη ποσότητα απορρυπαντικού στη δεξαμενή πλύσης.
- Το απορρυπαντικό πρέπει να είναι βιομηχανικού τύπου για δημιουργία λίγης σαπουνάδας.
- Μην βάζετε γυμνά χέρια στην αλίσβια της πλύσης, τοποθετήστε τα φλυτζάνια και τα ποτήρια αναποδογυρισμένα στα καλάθια. Τοποθετήστε τα πιάτα στο ειδικό καλάθι με την εσωτερική επιφάνεια γυρισμένη προς τα πάνω.
- Τοποθετήστε τα μαχαιροπήρουνα και τα κουταλάκια του καφέ προς τα κάτω.
- Μην τοποθετήτε στο ίδιο καλάθι, ασημένια και ανοξείδωτα μαχαιροπήρουνα. Σαν αποτέλεσμα θα έχετε να σκουρίνει το ασημί και μια πιθανή διάβρωση του ανοξείδωτου ατσαλιού.
- Χρησιμοποιείται τα ειδικά καλάθια που είναι κατασκευασμένα σκοπίμως για διαφορετικά είδη σκευών (πιάτα, ποτήρια, φλυτζάνια, μαχαιροπήρουνα κλπ.). Για την εξοικονόμηση απορρυπαντικού και ηλεκτρικής ενέργειας, πλένετε μόνο γεμάτα καλάθια, χωρίς όμως να τα φορτώνεται. Αποφεύγεται κάθε υπέρθεση σκευών.

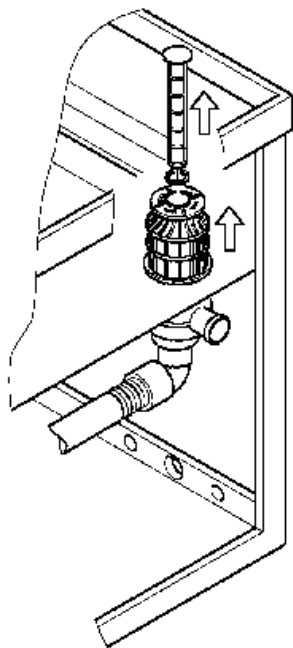
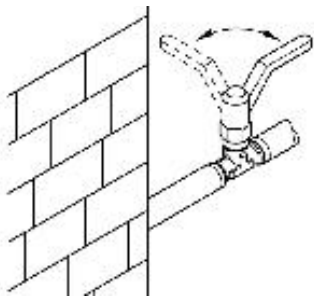
Για να περιορίσετε, όσο το δυνατόν περισσότερο, την συντήρηση **ΣΥΝΙΣΤΟΥΜΕ ΜΙΑ ΠΡΟΣΕΚΤΙΚΗ ΚΑΘΑΡΙΟΤΗΤΑ** των σκευών. Η απομάκρυνση υπολοίπων τροφών, λεμονόφλουδων, οδοντογλυφύδων, κουκουτσιών από ελιές κλπ. που θα μπορούσαν να βουλώσουν εν μέρει το φίλτρο της ηλεκτροβαλβίδας, μειώνοντας την ικανότητα πλύσης, καλυτερεύει ουσιαστικά την ποιότητα του τελικού αποτελέσματος.

Συμβουλεύουμε να πλένετε τα σκεύη πριν τα υπολείματα τροφών κολλήσουν πάνω στην επιφάνεια τους. Σε περίπτωση που πάνω στα σκεύη υπάρχουν υπολείματα ξεραμένων τροφών είναι καλό να μείνουν για λίγο διάστημα μέσα στο νερό για μούλιασμα πριν τοποθετηθούν στη συσκευή.

## 4.3 ΕΝΕΡΓΕΙΕΣ ΚΑΤΑ ΤΟ ΤΕΛΟΣ ΕΡΓΑΣΙΑΣ



- Διακόψτε την ηλεκτρική
- Συκώστε την κουκούλα και βγάλτε το καλάθι με τα καθαρά σκεύη.



- Αδειάστε το νερό από τη δεξαμενή συγκώνοντας τον εκχυλινστήρα. Για το μοντέλλο εφοδιασμένο με αντλία αδειάσματος ακολουθήστε τις ενέργειες αναφερόμενες στην παράγραφο "Οδηγίες για τη χρήση".

- Αποσυνδέσετε τον γενικό διακόπτη που βρίσκεται πάνω (ή πίσω) στη συσκευή.

- Κλείστε την βαλβίδα-ρολό της συσκευής.

Βγάλτε τα φίλτρα, πλύντε τα κάτω από τρεχούμενο νερό με μια βούρτσα από νάυλον.

- Προσέξτε να μην ρίξετε υπολείμματα τροφών που βρίσκονται στον πάτο του φίλτρου της αντλίας αδειάσματος, στο εσωτερικό της δεξαμενής. Καθαρίστε την δεξαμενή με νερό περιορισμένης πίεσης. Πλύνετε τις εξωτερικές επιφάνειες, όταν είναι κρύες με προϊόντα που δεν είναι όξινα και είναι κατάλληλα για τη συντήρηση του ατσαλιού.

**ΠΡΟΣΟΧΗ:** Μην πλένετε την συσκευή με νερό υψηλής πίεσης γιατί είναι δυνατόν να γίνουν εισχωρήσεις στα ηλεκτρικά στοιχεία και να προδικάσουν την κανονική λειτουργία της συσκευής και του κάθε συστήματος ασφαλείας με συνέπεια την πτώση της εγγύησης.

## ΚΕΦ. 5 ΣΥΝΤΗΡΗΣΗ

### 5.1 ΓΕΝΙΚΟΙ ΚΑΝΟΝΕΣ

Οι συσκευές με σύστημα έλξης είναι σχεδιασμένες για να περιορίζουν στο ελάχιστο τις ανάγκες συντήρησης. Οι κανόνες που ακολουθούν πρέπει να τηρούνται σε όλες τις περιπτώσεις για μια μακροπρόθεσμη εγγύηση της λειτουργίας της συσκευής χωρίς απρόοπτα.

Σε κάθε περίπτωση πρέπει να τηρούνται μερικοί γενικοί κανόνες για να διατηρηθεί η συσκευή σε τέλεια κατάσταση κίνησης:

- διατηρήτε την συσκευή καθαρή και σε τάξη
- αποφεύγεται να γίνονται συστηματικές οι προσωρινές επιδιορθώσεις ή οι επιδιορθώσεις ανάγκης.

Η αυστηρή τήρηση των κανόνων περιοδικής συντήρησης είναι πολύ σημαντικές: όλα τα όργανα της συσκευής πρέπει να ελέγχονται τακτικά για την αποφυγή πιθανών ανομαλιών, προβλέποντας μ' αυτόν τον τρόπο τον απαραίτητο χρόνο και τα μέσα για τυχών επεμβάσεις συντήρησης.

Πριν αποφασισεται να καθαρισετε την συσκευη διακοψτε την ηλεκτρικη τροφοδοσια στη συσκευη.

## 5.2 ΠΕΡΙΟΔΙΚΗ ΣΥΝΤΗΡΗΣΗ(πρέπει να γίνεται το λιγότερο κάθε 20 ημέρες)

Για την διευκόλυνση των ενεργειών που ακολουθούν μπορεί να βγει από την θέση του το πλαίσιο που κινεί το καλάθι.

- Αποσυνδέσετε τους πάνω και κάτω βραχίονες ξεπλύματος.
- Ξεβιδώστε και καθαρίστε όλους τους ψεκαστήρες και ξανατοποθετήστε τους στο μέρος τους.
- Αποσυνδέσετε τους πάνω και κάτω βραχίονες ξεβιδώνοντας τον στροφέα ξεπλύματος· καθαρίστε τους και ξεπλύντε τους.
- Βγάλτε το φίλτρο αντλίας πλύσης (3) καθαρίστε το και ξεπλύντε το.
- Σ' αυτό το σημείο πλύνετε με μεγάλη προσοχή την δεξαμενή πλύσης.
- Αφήστε ανοικτή την κουκούλα της συσκευής όλο το χρονικό διάστημα στάσης.
- Εξ αιτίας της παρουσίας αλάτων στο νερό, μετά από ένα χρονικό διάστημα χρήσης, που αλλάζει ανάλογα με τη σκληρότητα του νερού, δημιουργείτε πάνω στις εσωτερικές επιφάνειες τις δεξαμενής τοι μπόιλερ και των αγωγών μια ασβεστώδεις επένδυση που μπορεί να προδικάσει την καλή λειτουργία της συσκευής.
- Γι' αυτό το λόγο πρέπει να φροντίζετε να γίνεται μια περιοδική απομάκρυνση της ασβεστώδης επένδυσης, που συμβουλεύουμε να εκτελείται από έμπειρο τεχνικό προσωπικό.
- Αν η συσκευή πρέπει να μείνει αχρησιμοποίητη για μεγάλο χρονικό διάστημα, λαδώστε τις ανοξοίδωτες επιφάνειες με λάδι βαζελίνας. Καλέστε έμπειρο τεχνικό προσωπικό για να αδειάσει το νερό από το μπόιλερ και από την αντλία πλύσης.
- Αν υπάρχει πιθανότητα δημιουργίας πάγου, καλέστε έμπειρο τεχνικό προσωπικό για να αδειάσει το νερό από το μπόιλερ και από την αντλία πλύσης.
- Σε περίπτωση κακής λειτουργίας ή ζημιών, απευθυνθείτε αποκλειστικά σε ένα τεχνικό κέντρο εξουσιοδοτημένο από τον Αντιπρόσωπο αυτού.



## ΚΕΦ. 6 ΔΙΑΛΥΣΗ

### 6.1 ΔΙΑΛΥΣΗ ΤΗΣ ΣΥΣΚΕΥΗΣ

Στις δικές μας συσκευές δεν υπάρχουν υλικά που να απαιτούν ιδιαίτερες διαδικασίες χώνευσης.

