



INSTALLATION & OPERATION MANUAL GAS INFRARED CHARBROILER



VTEC36

MODELS

VTEC14
VTEC25
VTEC36
VTEC48
VTEC60

For additional information on Vulcan or to locate an authorized parts and service provider in your area, visit our website at www.vulcanequipment.com

IMPORTANT FOR YOUR SAFETY

THIS MANUAL HAS BEEN PREPARED FOR PERSONNEL QUALIFIED TO INSTALL GAS EQUIPMENT, WHO SHOULD PERFORM THE INITIAL FIELD START-UP AND ADJUSTMENTS OF THE EQUIPMENT COVERED BY THIS MANUAL.

POST IN A PROMINENT LOCATION THE INSTRUCTIONS TO BE FOLLOWED IN THE EVENT THE SMELL OF GAS IS DETECTED. THIS INFORMATION CAN BE OBTAINED FROM THE LOCAL GAS SUPPLIER.

IMPORTANT

IN THE EVENT A GAS ODOR IS DETECTED, SHUT DOWN UNITS AT MAIN SHUTOFF VALVE AND CONTACT THE LOCAL GAS COMPANY OR GAS SUPPLIER FOR SERVICE.

FOR YOUR SAFETY

DO NOT STORE OR USE GASOLINE OR OTHER FLAMMABLE VAPORS OR LIQUIDS IN THE VICINITY OF THIS OR ANY OTHER APPLIANCE.

WARNING

Improper installation, adjustment, alteration, service or maintenance can cause property damage, injury, or death. Read the installation, operating and maintenance instructions thoroughly before installing or servicing this equipment.

IN THE EVENT OF A POWER FAILURE, DO NOT ATTEMPT TO OPERATE THIS DEVICE.

INSTALLATION, OPERATION AND CARE OF GAS COUNTERTOP CHARBROILERS

GENERAL

Gas Infrared Charbroilers are designed for commercial use only and feature fast, efficient gas heat. Each burner is controlled by an adjustable gas valve. Emitter panels are located directly above each burner to maintain uniform temperature and provide infrared cooking. The emitter panels will need to be replaced, depending upon your menu and hours of operation. Emitter panels and stainless steel cooking grids are easily removed for cleaning when cool. A crumb tray is provided to collect fat run-off and debris; it opens to the front for inspection or drain-off.

| Model | Number of Burners | BTU/hr Input Rating |
|--------|-------------------|---------------------|
| VTEC14 | 1 | 22,000 |
| VTEC25 | 2 | 44,000 |
| VTEC36 | 3 | 66,000 |
| VTEC48 | 4 | 88,000 |
| VTEC60 | 5 | 110,000 |

INSTALLATION

UNPACKING

This charbroiler was inspected before leaving the factory. The carrier assumes full responsibility for the safe delivery upon acceptance of the shipment. Check for possible shipping damage immediately after receipt.

If the charbroiler is found to be damaged, complete the following steps:

1. Carrier must be notified within 5 business days of receipt.
2. Carrier's local terminal must be notified immediately upon discovery (note time, date, and who was spoken to), and follow up and confirm with written or electronic communication.
3. All original packing materials must be kept for inspection purposes.
4. The charbroiler cannot have been moved, installed, or modified.
5. Notify Vulcan Customer Service immediately at 800-814-2028.

Carefully unpack your charbroiler and make sure that no parts are discarded with packaging material. A pressure regulator designed to operate with the broiler has been supplied and must be installed before the charbroiler is placed into service (Refer to GAS PRESSURE REGULATOR INSTALLATION in this manual).

Before installing, verify that the type of gas (natural or propane) and the clearance dimensions agree with the specifications on the rating plate which is located on the upper front corner on the right side.

LOCATION

The installation location must be kept free and clear of combustibles. Do not obstruct the flow of combustion and ventilation air. DO NOT install the charbroiler adjacent to fryers unless following the provisions detailed by local codes and/or the applicable sections of ANSI-Z223.1/NFPA #54 (latest edition) and NFPA #96 (latest edition) in the United States of America or CAN/CSA 149.1 (latest edition) and CAN/CSA149.2 (latest edition) in Canada.

Sufficient air should be allowed to enter the room to compensate for the amount of air removed by any ventilating system and for combustion of the gas burners. Do not obstruct the air flow into and around the appliance. Do not obstruct the flow of flue gases through and above the broiler's cooking grids. Position the broiler in its final location. Check that there are sufficient clearances to service the broiler and to make the required gas supply connection(s). Provide 36" clearance at the front for cleaning, maintenance, service and proper operation.

This broiler is for use in non-combustible locations only. Installation in combustible locations is prohibited unless following the provisions detailed by local codes and/or the applicable sections of ANSI-Z223.1/NFPA #54 (latest edition) and NFPA #96 (latest edition) in the United States of America or CAN/CSA 149.1 (latest edition) and CAN/CSA149.2 (latest edition) in Canada and approved by the authority having jurisdiction.

Minimum clearances to non-combustible walls are 0" to the rear and 0" to the sides.

INSTALLATION CODES AND STANDARDS

The Charbroiler must be installed in accordance with:

In the United States of America:

1. State and local codes.
2. National Fuel Gas Code, ANSI-Z223.1/NFPA #54 (latest edition). This shall include but not be limited to: NFPA #54 Section 10.3.5.2 for Venting. Copies may be obtained from The American Gas Association Accredited Standards Committee Z223, @ 400 N. Capital St. NW, Washington, DC 20001 or the Secretary Standards Council, NFPA, 1 Batterymarch Park Quincy, MA 02169-7471

NOTE: In the Commonwealth of Massachusetts

All gas appliances vented through a ventilation hood or exhaust system equipped with a damper or with a power means of exhaust shall comply with 248 CMR.

3. NFPA Standard # 96 *Vapor Removal from Cooking Equipment*, latest edition, available from the National Fire Protection Association, Batterymarch Park, Quincy, MA 02269.

In Canada:

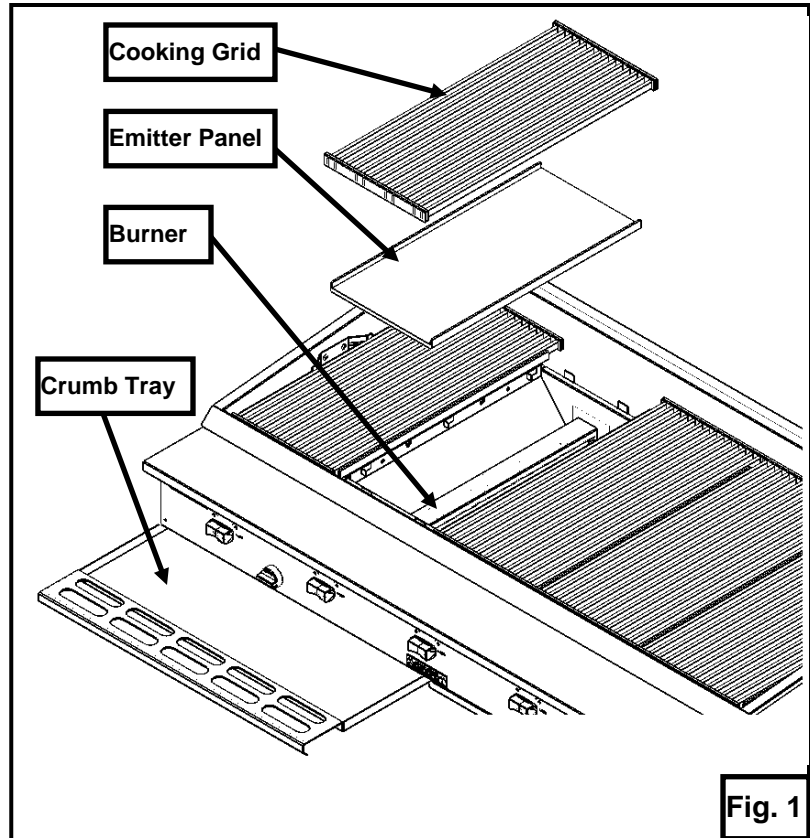
1. Local codes.
2. CAN/CSA-B149.1 Natural Gas Installation (latest edition)
3. CAN/CSA-B149.2 Propane Installation Code (latest edition), available from the Canadian Gas Association, 178 Rexdale Blvd., Etobicoke, Ontario, Canada M9W 1R3

KEY COMPONENTS

⚠ WARNING The charbroiler and its parts are hot. Use care when operating, cleaning or servicing the charbroiler.

Cooking Grids – The cooking grids should always be in place and properly seated on the emitter panels during operation. Wash grids thoroughly with soap and water solution and rinse before first use.

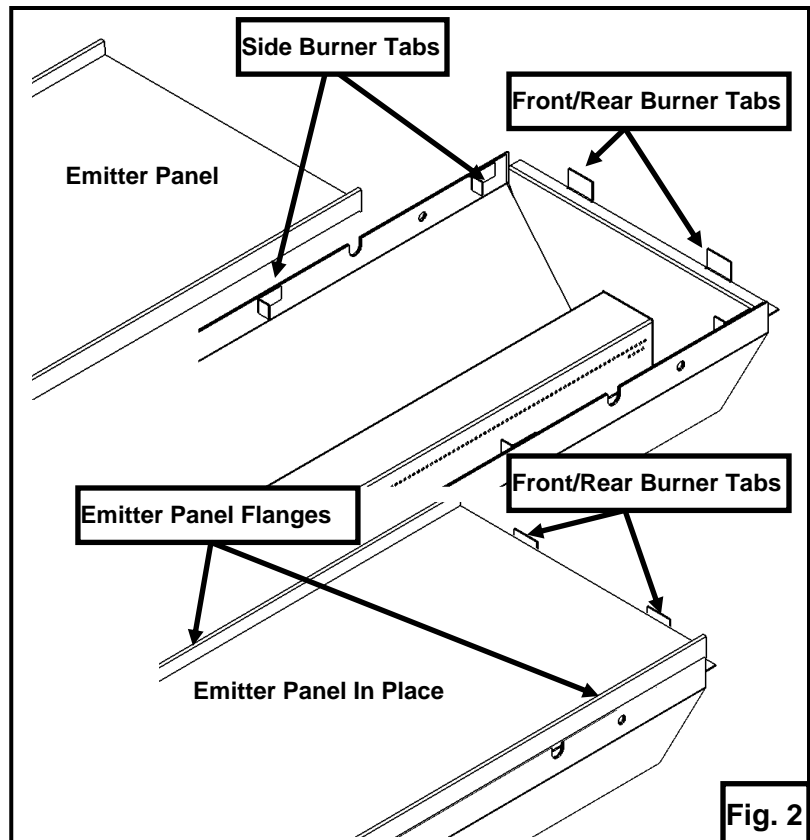
Crumb tray – The crumb tray is the removable pan that catches any debris that falls from the broiling area. The crumb trays should be pushed all the way in while the unit is operation.



Emitter Panel – The charbroiler must never be operated without the emitter panels in place. The emitter panels protect the burner from food drippings and debris. Operating the burner without the emitter panels in place will cause poor performance and clogging of the burner ports. The emitter panels disperse energy and facilitate infrared cooking.

The emitter panels should rest on top of the side burner tabs and inside of the front and rear burner tabs over each burner. The emitter panels should be placed in position with the flanged edges pointing upwards. See Fig. 2.

Emitter panels are consumable. The emitter panels will need to be replaced, depending upon your menu and hours of operation.



LEVELING

It is important that the charbroiler is level front to back and left to right. Areas of uneven heat distribution will occur on an unlevelled unit. The charbroiler is equipped with adjustable legs. Turn the feet at the bottom of the legs to adjust to level. The unit should be rechecked for level anytime it has been moved.

VENTILATION HOOD

The broiler should be installed under a suitable ventilation hood. For safe operation and proper ventilation, keep the space between the charbroiler and vent hood free from any obstructions.

GAS CONNECTION

The data plate on the lower right side of the charbroiler indicates the type of gas your unit is equipped to burn. DO NOT connect to any other gas type.

NOTICE All gas supply connections and any pipe joint compound must be resistant to the action of propane gases.

Purge the supply line to clean out any dust, dirt, or any foreign matter before connecting the line to the unit.

Codes require that a gas shut-off valve be installed in the gas line ahead of the charbroiler. The gas supply line must be at least the equivalent of $\frac{3}{4}$ " iron pipe.

A pressure regulator is supplied and must be installed outside of the broiler when making the gas supply connection. Standard orifices are set for 4"WC (Water Column) for Natural Gas — 10"WC (Water Column) for Propane. Use the $\frac{1}{8}$ " pipe tap on the burner manifold for checking pressure. Make sure the gas piping is clean and free of obstructions, dirt, and piping compound.

An adequate gas supply is necessary. Undersized or low pressure lines will restrict the volume of gas required for satisfactory performance. A minimum supply pressure of 7" W.C. for natural gas and 11" W.C. for propane gas is recommended. With all units operating simultaneously, the manifold pressure on all units should not show any appreciable drop.

When testing the gas supply piping system, if test pressures exceed $\frac{1}{2}$ psig (3.45 kPa), the charbroiler and its individual shutoff valve must be disconnected from the gas supply piping system. When test pressures are $\frac{1}{2}$ psig (3.45 kPa) or less, the charbroiler must be isolated from the gas supply piping system by closing its individual manual shut-off valve during any pressure testing of the system.

⚠ WARNING Prior to lighting, check all joints in the gas supply line for leaks. Use soap and water solution. Do not use an open flame.

GAS PRESSURE REGULATOR INSTALLATION

Gas regulator pressure is preset at 4" Water Column (W.C.) for natural gas, and 10" W.C. for propane gas. Minor adjustments may be required based on site specific gas pressure.

Install the regulator as close to the broiler on the gas supply line as possible. Make sure that the arrow on the underside of the regulator is oriented in the direction of gas flow to the broiler (Fig. 3) and the regulator is positioned with the vent plug and adjustment screw upright (Fig. 4).

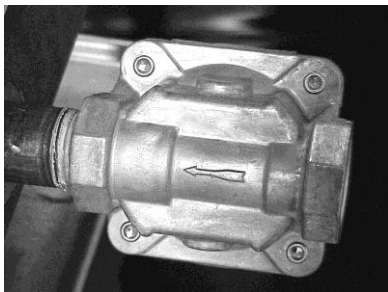


Fig. 3



Fig. 4

The minimum supply pressure (upstream of the regulator) should be 7-9" W.C. for natural gas and 11-12" W.C. for propane gas. At no time should the charbroiler be connected to supply pressure greater than ½ psig (3.45 kPa) or 14" W.C.

CASTER EQUIPPED CHARBROILERS

Charbroilers mounted on stands with casters must use a flexible connector (not supplied) that complies with the Standard for Connectors for Movable Gas Appliances, ANSI Z21.69 • CSA 6.16 and a quick-disconnect device that complies with the Standard for Quick-Disconnect Devices for use With Gas Fuel, ANSI-Z21.41 • CSA 6.9. In addition, adequate means must be provided to limit movement of the broiler without depending on the connector and the quick-disconnect device or its associated piping to limit broiler movement. Attach the restraining device at the rear of the charbroiler. If disconnection of the restraint is necessary, turn off the gas supply before disconnection. Reconnect the restraint prior to turning the gas supply on and return the charbroiler to its installation position.

OPERATION

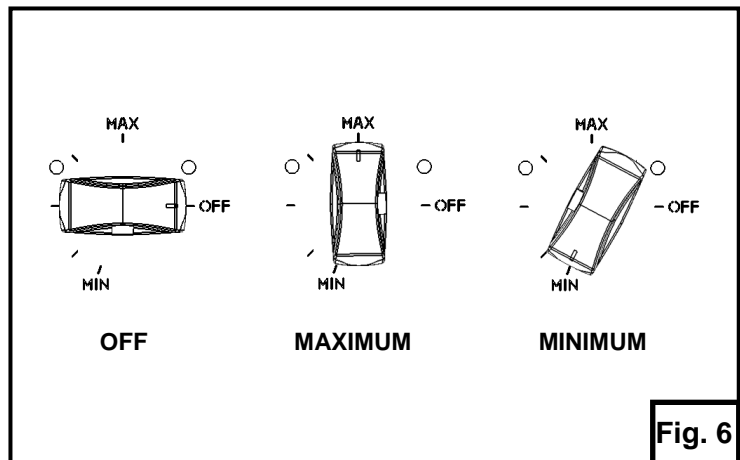
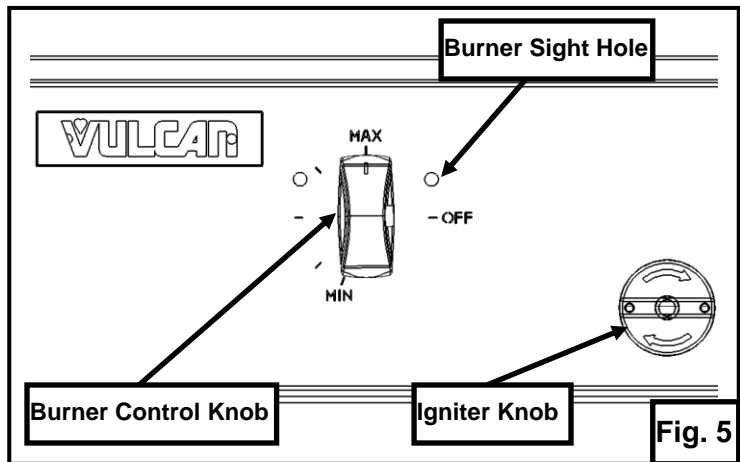
⚠ WARNING The charbroiler and its parts are hot. Use care when operating, cleaning or servicing the charbroiler.

BURNER LIGHTING

The VTEC charbroiler does not have a pilot and each burner lights directly from a spark igniter or from an outside ignition source (such as a lit taper, long handle lighter, etc).

LIGHTING BURNER WITH SPARK IGNITER

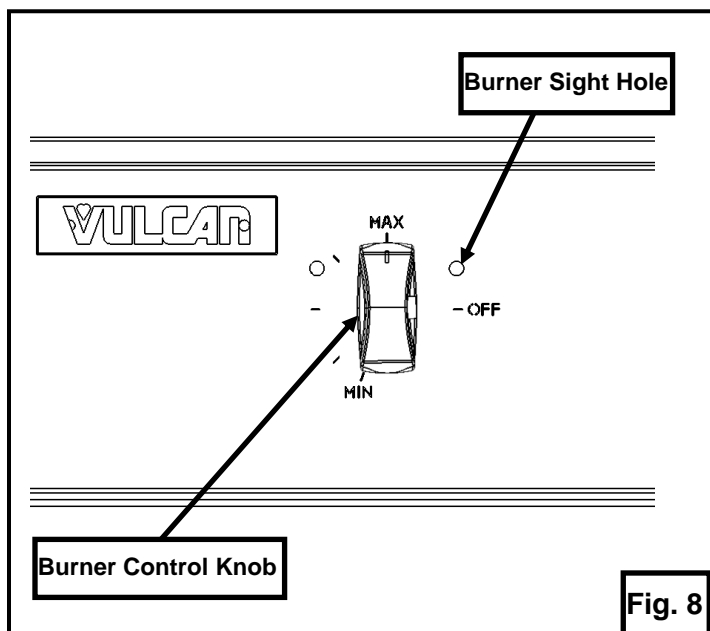
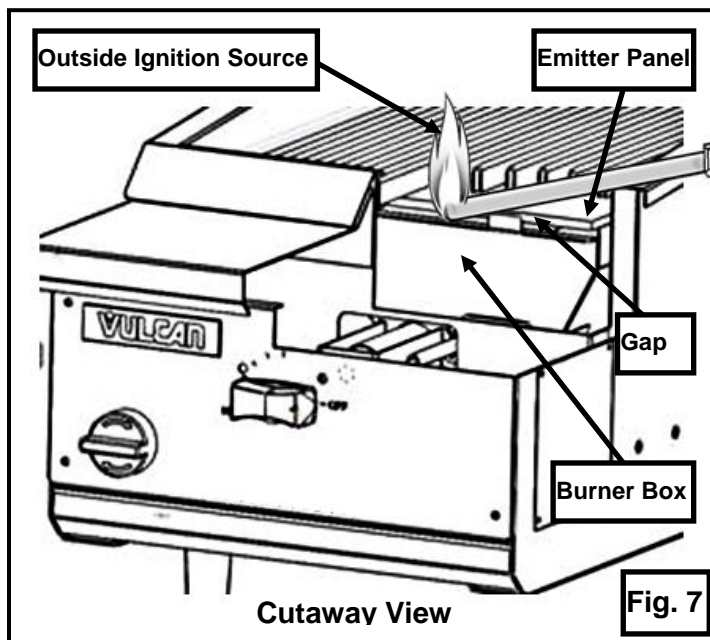
1. Turn the main gas shut-off valve and the individual burner control knobs to the OFF position (clockwise until stops). Wait 5 minutes.
2. Push and turn the burner control knob to the MAX setting (counterclockwise to vertical/90° position) on the burner you intend to light. (Fig. 5)
3. Immediately, while viewing through the burner sight hole, turn the igniter knob clockwise until you hear a click (approx. $\frac{1}{4}$ turn) and see the spark. The burner should ignite immediately and flames should be visible through the burner sight hole.
4. If the burner fails to light immediately, repeat step 3, two more times. If the burner has still not ignited at this point, turn the main gas shut-off valve and all burner valves to the OFF position (clockwise until stops) and proceed with manual burner lighting instructions on following page.
5. Repeat steps 2-4 until all burners are lit. Turn on one burner control knob at a time and ensure burner is lit before proceeding to light the next burner.



The burners should be left on the maximum (MAX) setting for most efficiency when cooking. The burners may be turned to the minimum (MIN) setting during slow periods to save energy. See Fig. 6.

LIGHTING BURNER MANUALLY

1. Turn the main gas shut-off valve and the individual burner control knobs to the OFF position (clockwise until stops). Wait 5 minutes.
2. Apply a flame from an outside ignition source (such as a lit taper, long handle lighter, etc) directly to the gap between the bottom of the emitter panel and the top of the intended burner box at the front of the unit. See Fig. 7.
3. Push and turn the burner control knob to the MAX setting (counterclockwise to vertical/90° position) on the burner you intend to light. (Fig. 8)
4. View through the burner sight hole (Fig.8) to ensure the burner has lit.
5. If the burner fails to light within 4 seconds of applying flame to the directed area, turn the main gas shut-off valve and all burner valves to the OFF position (clockwise until stops). Contact an authorized service contractor.
6. Repeat steps 2-4 until all burners are lit. Turn on one burner control knob at a time and ensure burner is lit before proceeding to light the next burner.



TO COMPLETELY SHUTDOWN THE BURNERS

For complete shutdown: Turn the main gas supply valve OFF. Make sure all individual burner valves are OFF (turned completely clockwise until stops).

PREHEATING THE CHARBROILER

Allow the charbroiler to preheat for 20 minutes on the maximum (MAX) setting. Rub grates with cooking oil before using to help reduce sticking.

CLEANING

⚠ WARNING The charbroiler and its parts are hot. Use care when operating, cleaning or servicing the charbroiler.

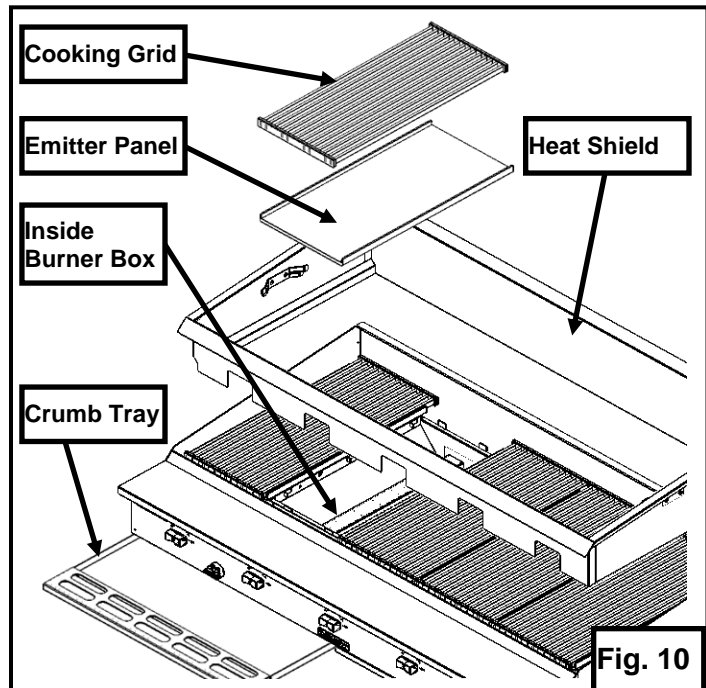
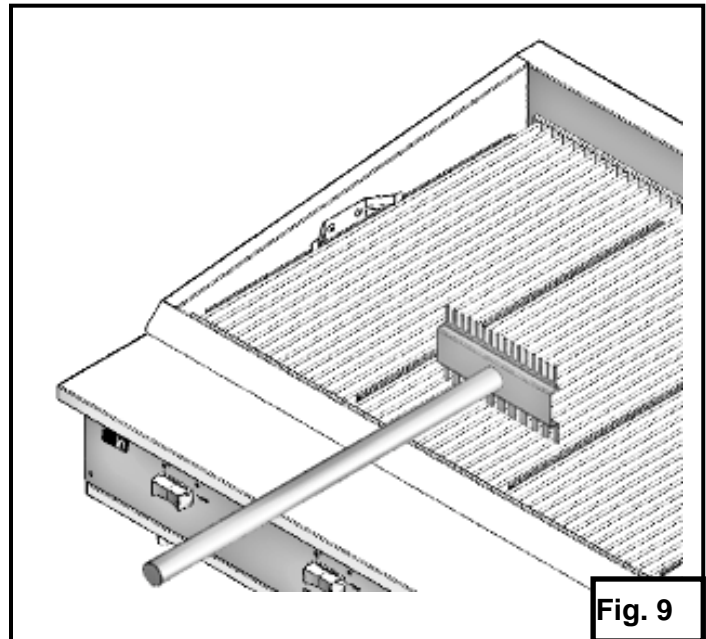
Scrape cooking grids during broiling with a stainless steel scraper or stainless steel wire brush to keep the grates clean. Do not allow debris to accumulate on the grates. (Fig. 9) Top grates may be immersed in cleaning compound overnight. In the morning, rinse with hot water to remove any residues of cleaning compound.

Stainless steel surfaces may be cleaned using damp cloth with mild detergent and water solution. Clean heavy, baked on grease and splatter that do not respond to normal cleaning by using cleaning solution with a Scotch-Brite™ pad. Rub with the grain of the surface – do not rub in a circular motion.

DAILY

After cooking, allow unit to run on MAX setting for 10 minutes before shutting OFF. This will make cleaning debris from the emitter panels easier when they cool down.

When cool, remove cooking grids and emitter panels, clean places where fat, grease, or food can accumulate. Brush or use scraper to remove any accumulated debris from emitter panel surfaces. Be careful to keep inside burner boxes clear of debris. Remove crumb tray when cool and empty. (Fig. 10)



NOTICE Never leave emitter panels wet after cleaning. Leaving panels wet after cooking or cleaning may accelerate corrosion process and result in premature failure.

WEEKLY

When cool, remove cooking grids, emitter panels and heat shield. Clean and vacuum any accumulated debris from inside burner boxes. Clean inside chassis area anywhere fat, grease, or food can accumulate. Clean heat shield while removed (Fig. 10). Repeat weekly process more often as needed.

NOTICE Never cover surface of unit with pans or other objects in attempt to “burn off” or clean debris from unit. This will cause a buildup of heat that can potentially damage and warp components of the charbroiler. Do not cover surfaces with aluminum foil as this may block or disrupt the designed air flow pattern and affect performance.

MAINTENANCE

⚠ WARNING The charbroiler and its parts are hot. Use care when operating, cleaning or servicing the charbroiler.

VENT SYSTEM

At least twice a year the exhaust hood (venting system) should be examined and cleaned.

LUBRICATION

All valves, at the first sign of sticking, should be lubricated by a trained technician using high temperature grease.

EMITTER PANELS

Emitter panels are consumable.

The emitter panels will need to be replaced, depending upon your menu and hours of operation. Replace emitter panels if warped or holes appear.

SERVICE

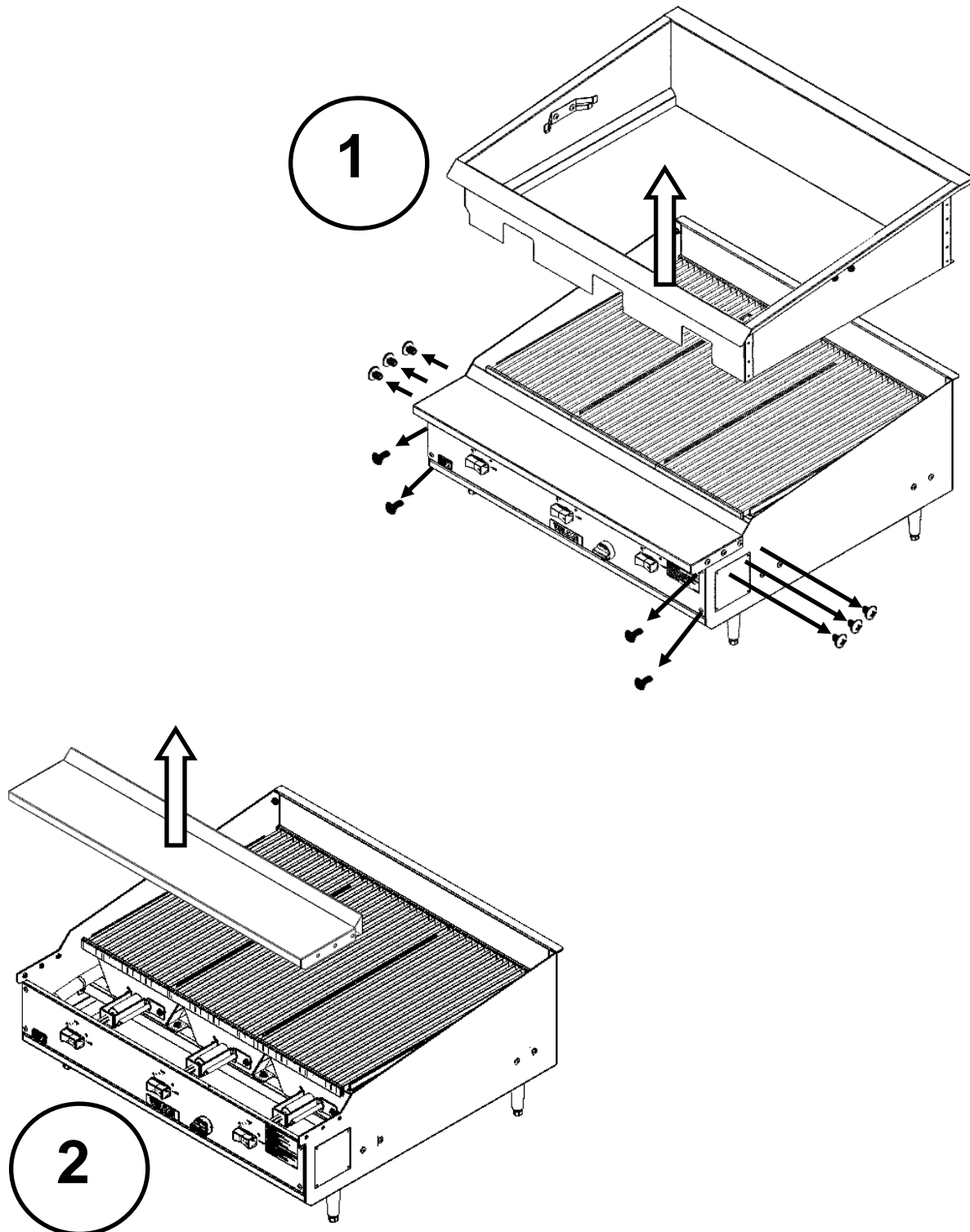
Contact your local Service Contractor for any repairs or adjustments needed on this equipment. For a complete listing of service and parts depots refer to www.vulcanequipment.com. When calling for service, the following information should be available from the appliance identification plate: Model Number and Serial Number.

TROUBLE SHOOTING

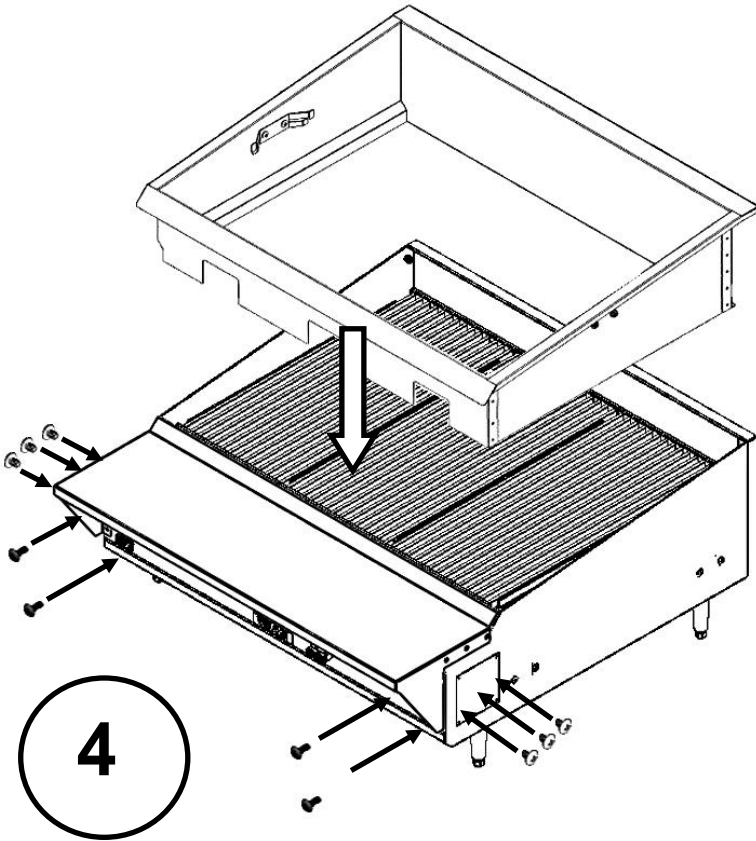
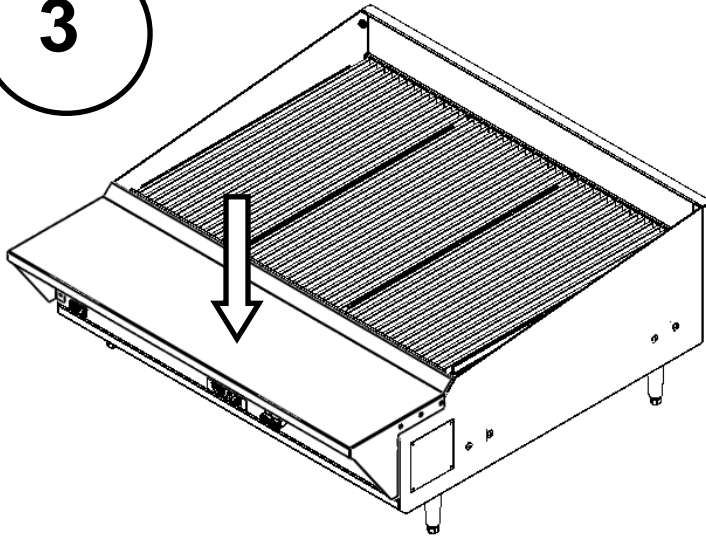
| | |
|---------------------------|---|
| Uneven heating | <ul style="list-style-type: none"> A. Burner valves improperly adjusted B. Fluctuating gas pressure C. Appliance is not level D. Emitter panels are not properly seated or damaged E. Emitter panels are excessively dirty |
| Too much top heat | <ul style="list-style-type: none"> A. Faulty hood ventilation C. Overrated gas pressure D. Unit is excessively dirty E. Emitter panels are not properly seated or damaged |
| Uneven heat side to side | <ul style="list-style-type: none"> A. Burner valves improperly adjusted B. Appliance is not level side to side C. Crumb tray is not pushed all the way in D. Emitter panels are not properly seated or damaged E. Emitter panels are excessively dirty |
| Uneven heat front to back | <ul style="list-style-type: none"> A. Appliance is not level front to back B. Faulty hood ventilation C. Crumb tray is not pushed all the way in D. Emitter panels are not properly seated or damaged E. Emitter panels are excessively dirty F. Designed air flow pattern obstructed |
| Burner not lighting | <ul style="list-style-type: none"> A. Check that igniter electrode is sparking when igniter knob is turned clockwise B. Check for damaged, loose or dirty igniter wires, igniter and electrode C. Burner valve not on MAX setting D. Gas pressure too low E. Inside burner box or burner venturi excessively dirty |
| Burner flames too low | <ul style="list-style-type: none"> A. Burner valves improperly adjusted B. Gas pressure too low C. Inside burner box or burner venturi excessively dirty D. Clogged burner orifice |
| Burner flames too high | <ul style="list-style-type: none"> A. Emitter panels are not properly seated or damaged B. Gas pressure too high |
| Fluctuating gas pressure | <ul style="list-style-type: none"> A. Checked for clogged vent on regulator |

ACCESSORY INSTALLATION

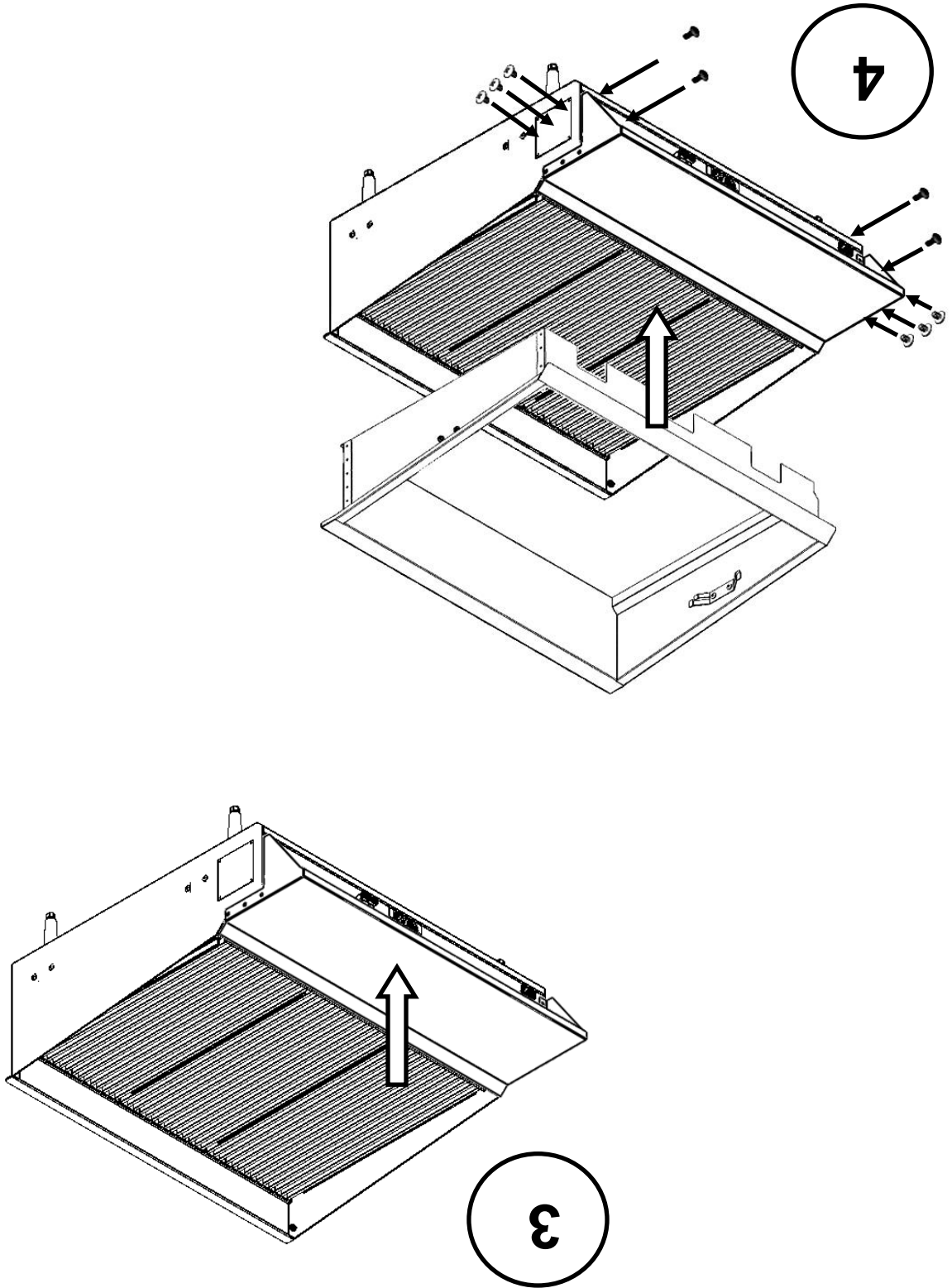
⚠ WARNING The charbroiler and its parts are hot. Use care when operating, cleaning or servicing the charbroiler.

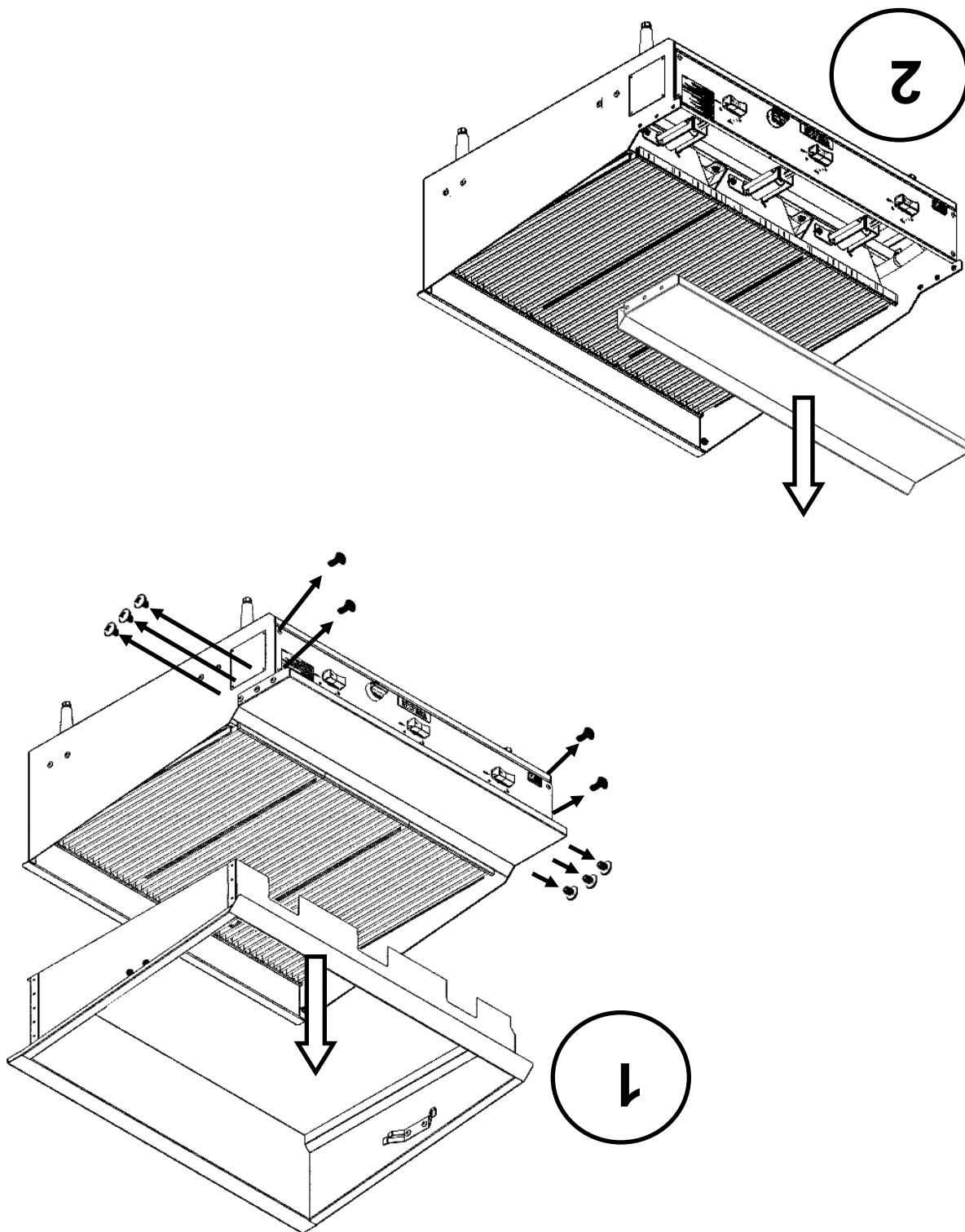


3



4





MISE EN GARDE Le grill et ses pièces sont chauds. Faites attention lorsque vous employez, nettoyez ou entretenez ce grill.

INSTALLATION DE COMPLICE

LOCALISATION D'UNE PANNE

| | |
|---|---|
| | Chaleur inégale |
| <p>A. Boutons des brûleurs mal réglés B. Variation de la pression du gaz C. L'appareil n'est pas nivelé D. Panneaux émetteurs mal placés ou endommagés E. Les panneaux émetteurs sont excessivement sales</p> | |
| | Trop de chaleur sur le dessus |
| <p>A. Ventilation défectueuse de la hotte B. La pression du gaz est surestimée C. L'appareil est excessivement sale D. Panneaux émetteurs mal placés ou endommagés</p> | |
| | Chaleur inégale d'un côté à l'autre |
| <p>A. Boutons des brûleurs mal réglés B. L'appareil n'est pas horizontal d'un côté à l'autre C. Le ramasse-mièlles n'est pas correctement rentré D. Panneaux émetteurs mal placés ou endommagés E. Les panneaux émetteurs sont excessivement sales</p> | |
| | Chaleur inégale de l'avant vers l'arrière |
| <p>A. L'appareil n'est pas horizontal d'avant en arrière B. Ventilation défectueuse de la hotte C. Le ramasse-mièlles n'est pas correctement rentré D. Panneaux émetteurs mal placés ou endommagés E. Les panneaux émetteurs sont excessivement sales F. Schéma de circulation d'air obstrué</p> | |
| | Le brûleur ne s'allume pas |
| <p>A. Vérifiez que l'électrode de l'inflamateur jette des étincelles quand le bouton de l'inflamateur est tourné dans le sens des aiguilles d'une montre B. Vérifiez que l'électrode de l'inflamateur jette des étincelles quand le bouton de l'inflamateur est tourné dans le sens des aiguilles d'une montre. Vérifiez si les fils d'inflamateur sont sales, relâchés ou endommagés, contrôlez l'inflamateur et l'électrode C. Le bouton de brûleur n'est pas réglé sur MAX D. Pression du gaz trop basse E. L'intérieur du boîtier de brûleur ou le brûleur est excessivement sale</p> | |
| | Flammes des brûleurs trop basses |
| <p>A. Boutons des brûleurs mal réglés B. Pression du gaz trop basse C. L'intérieur du boîtier de brûleur ou le brûleur est excessivement sale D. Obstruction de l'orifice du brûleur</p> | |
| | Flammes des brûleurs trop hautes |
| <p>A. Panneaux émetteurs mal placés ou endommagés B. Pression du gaz trop haute</p> | |
| | Variation de la pression du gaz |
| <p>A. Contrôle pour obstruction de la ventilation du régulateur</p> | |

Communiquez avec votre service à la clientèle local pour toute réparation ou tout réglage nécessaire sur cet équipement. Pour une liste des bureaux des services et des pièces, consultez www.vulcanequipment.com. Lorsque vous appelez pour du service, les renseignements suivants devraient être disponibles sur la fiche signalétique de l'appareil : le numéro du modèle et le numéro de série.

SERVICE

Les panneaux émetteurs sont des consommables. En fonction de votre menu et des heures de fonctionnement, les panneaux émetteurs doivent être remplacés. Remplacez les panneaux émetteurs s'ils sont tordus ou s'ils sont troués.

PANNEAUX ÉMETTEURS

Toutes les soupapes devraient être lubrifiées par un technicien qualifié avec une huile résistante aux températures élevées dès le premier signe de coincement.

LUBRIFICATION

La hotte à évacuation (système de ventilation) devrait être examinée et nettoyée au moins deux fois par année.

SYSTÈME DE VENTILATION

▲ MISE EN GARDE Le grill et ses pièces sont chauds. Faites attention lorsque vous employez, nettoyez ou entreprenez ce grill.

ENTRETIEN

AVIS Ne jamais couvrir la surface de l'élément avec une casserole ou autres objets pour essayer de « brûler » ou de nettoyer les débris de l'élément. Cela provoquera une augmentation de la chaleur qui peut potentiellement endommager ou déformer les composants du grill. Ne recouvrez pas les surfaces avec du papier aluminium car cela pourrait provoquer le blocage ou la perturbation du plan de circulation de l'air et affecter la performance.

Une fois refroidis, retirez les grilles de cuisson, les panneaux émetteurs et la protection anti-chaleur. Nettoyez et aspirez tout débris accumulé dans les boîtiers des brûleurs. Nettoyez toute accumulation de gras, graisse ou d'aliment à l'intérieur du châssis. Enlevez la protection anti-chaleur pour la nettoyer (Fig. 10). Répétez ce processus hebdomadaire aussi souvent que nécessaire.

PAR SEMAINE

PRÉCHAUFFAGE DU GRIL

Préchauffez le grill pendant 20 minutes sur réglage maximum (MAX) Frottez les grilles avec de l'huile de cuisine avant l'utilisation pour réduire la viscosité.

NETTOYAGE

▲ MISE EN GARDE

Le grill et ses pièces sont chauds. Faites attention lorsque vous employez, nettoyez ou entreenez ce grill.

Grattez les grilles de cuisson avec un grattoir en acier inoxydable ou une brosse métallique en acier inoxydable pour garder les grilles propres. Empêchez les débris de s'accumuler sur les grilles. (Fig. 9) Les grilles supérieures peuvent être immergées dans du détergent pendant la nuit. Au matin, rincez-les avec de l'eau chaude pour enlever tout résidu du détergent.

Les surfaces en acier inoxydable peuvent être nettoyées à l'aide d'un linge humide et d'une solution d'eau et d'un savon doux. Nettoyer la

graisse solidifiée et les éclaboussures qui sont difficiles à nettoyer utilisant une solution de nettoyage et un tampon Scotch-Brite^{MD} Frottez dans le sens des veines de la surface - ne frottez pas dans un mouvement circulaire.

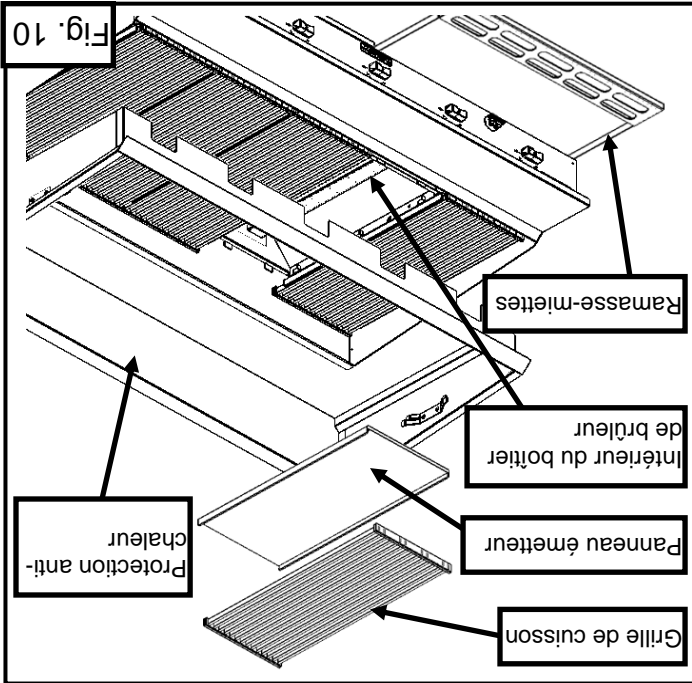
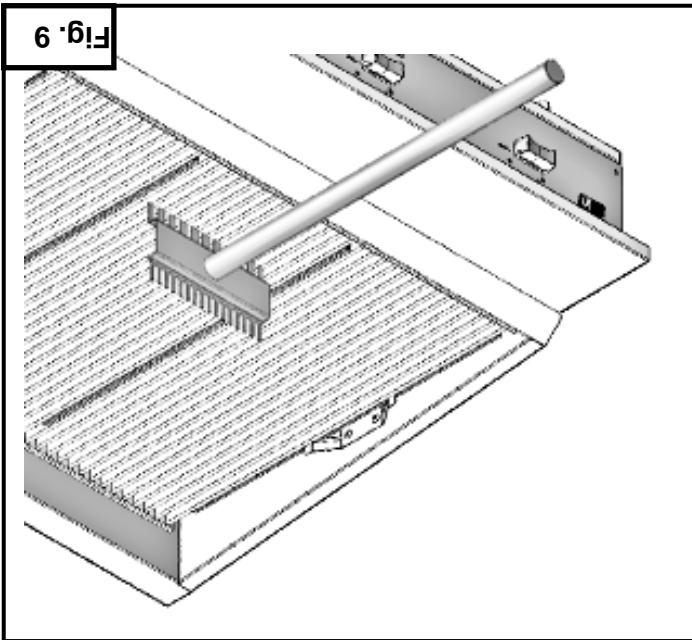
QUOTIDIENNEMENT

Après la cuisson, laissez l'appareil tourner sur MAX pendant 10 minutes avant de l'ARRÊTER. Ce qui facilitera le nettoyage des débris des panneaux émetteurs après refroidissement.

Une fois refroidis, retirez les grilles de cuisson, et les panneaux émetteurs, nettoyez les endroits où le gras, la graisse ou les aliments ont pu s'accumuler. Brossez ou utilisez un grattoir pour enlever toute accumulation de débris sur les parois du panneau émetteur. Veillez à ce que l'intérieur des boîtiers des brûleurs soit débarrassé des débris. Retirez le ramasse-miettes une fois refroidi et vide. (Fig. 10)

AVIS

Ne laissez jamais les panneaux émetteurs humides après le nettoyage. Le fait de laisser les panneaux humides après le nettoyage peut accélérer le processus de corrosion et les endommager prématurément.



ALLUMAGE MANUEL DES BRÛLEURS

1. Tournez le robinet d'arrêt principal du gaz et les boutons individuels de commande des brûleurs en position OFF « FERME » (dans le sens des aiguilles d'une montre jusqu'à l'arrêt). Attendez 5 minutes.

2. Appliquez une flamme à l'aide d'une source d'allumage extérieure (comme par exemple une fine bougie allumée, un allume-gaz à long manche, etc.) directement dans l'intervalle entre la base du panneau émetteur et le dessus du boîtier du brûleur choisi à l'avant de l'appareil. Voir Fig. 7.

3. Poussez et réglez le bouton de commande du brûleur que vous voulez allumer en le tournant sur MAX (dans le sens des aiguilles d'une montre à la verticale/90°). (Fig.8)

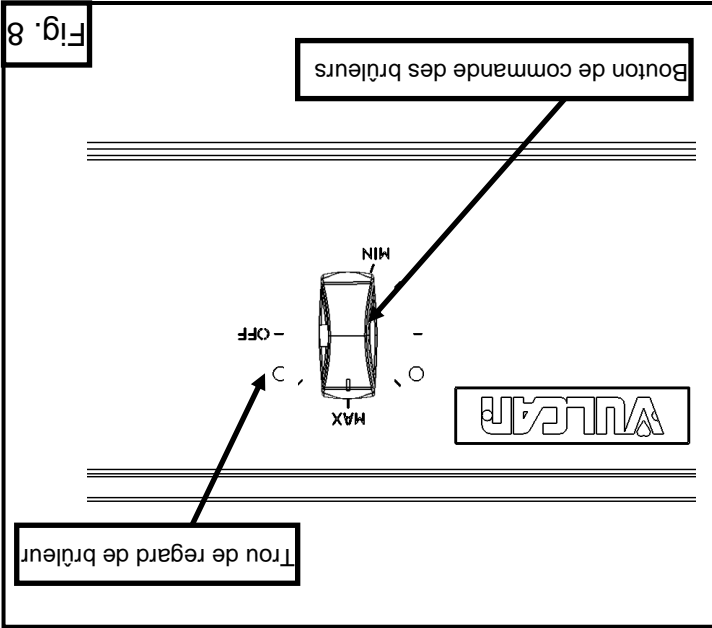
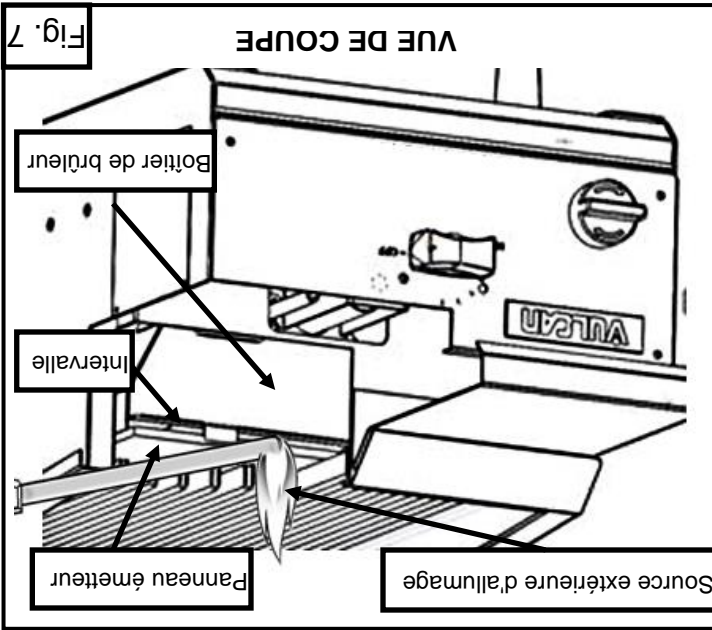
4. Regardez par le trou de regard du brûleur (Fig.8) pour vous assurer que le brûleur a été allumé.

5. Si le brûleur ne s'allume pas dans les 4 secondes après l'application de la flamme à l'endroit où elle a été dirigée, tournez le robinet d'arrêt principal du gaz et tous les boutons des brûleurs en position OFF « FERME » (dans le sens des aiguilles d'une montre jusqu'à l'arrêt). Contactez le service à la clientèle autorisé.

6. Répétez les étapes 2-4 jusqu'à ce que les brûleurs soient allumés. Pour ouvrir tournez un bouton de brûleur à la fois et vérifiez que le brûleur est allumé avant de continuer à allumer le brûleur suivant.

FERMETURE COMPLÈTE DES BRÛLEURS

Pour fermer complètement : Tournez le robinet d'alimentation principal du gaz sur OFF « FERME ». Assurez-vous que les boutons individuels des brûleurs sont sur OFF « FERME » (tournez dans le sens des aiguilles d'une montre jusqu'à l'arrêt complet).



EMPLOI

▲ MISE EN GARDE

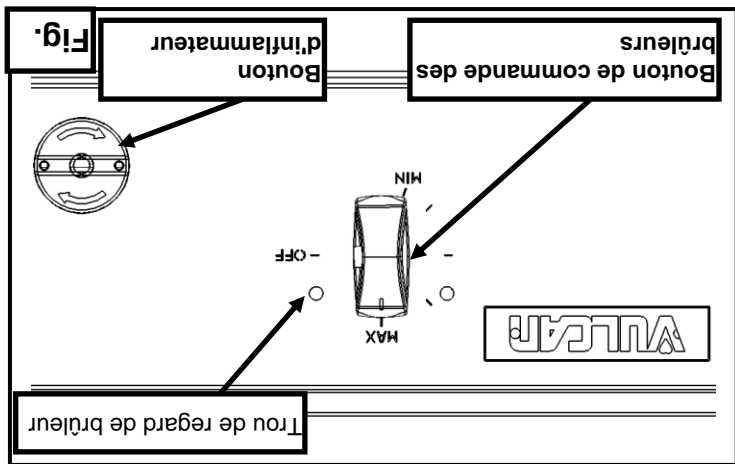
Le grill et ses pièces sont chauds. Faites attention lorsque vous employez, nettoyez ou entretenez ce grill.

ALLUMAGE DU BRÛLEUR

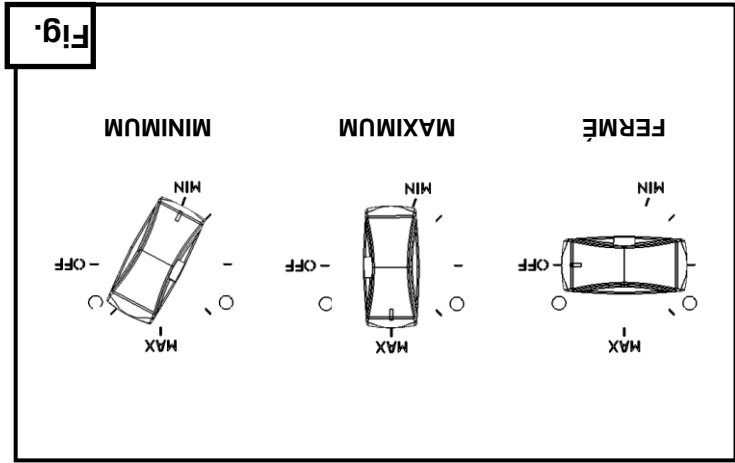
Le grill VTEC n'est pas muni de veilleuse et chaque brûleur s'allume directement à l'aide d'un inflammateur à étincelles ou d'une source d'allumage extérieure (comme par exemple une bougie fine allumée, un allume-gaz à long manche, etc).

ALLUMAGE DES BRÛLEURS AVEC UN INFLAMMATEUR À ÉTINCELLES

1. Tournez le robinet d'arrêt principal du gaz et les boutons individuels de commande des brûleurs en position OFF « FERME » (dans le sens des aiguilles d'une montre jusqu'à l'arrêt). Attendez 5 minutes.



2. Poussez et réglez le bouton de commande du brûleur que vous voulez allumer en le tournant sur MAX (dans le sens des aiguilles d'une montre à la verticale/90°). (Fig. 5)
3. Immédiatement après, tout en regardant par le trou de regard du brûleur, tournez le bouton de l'inflammateur dans le sens des aiguilles d'une montre jusqu'à ce qu'un déclic se fasse entendre (approx. 1/4 de tour) et qu'il en sorte des étincelles. Le brûleur devrait s'allumer immédiatement et les flammes devraient se voir à travers le trou de regard du brûleur.



4. Si le brûleur ne s'allume pas immédiatement, répétez l'étape 3, deux fois de plus. Si le brûleur n'a pas encore allumé à ce point, tournez le robinet d'arrêt principal de gaz et

Les brûleurs doivent se régler sur MAX (maximum) pour un maximum d'efficacité pendant la cuisson. Les brûleurs peuvent se régler sur MIN (minimum) à cuisson lente pour une économie d'énergie. Voir Fig. 6.

sont de ½ psi (3,45 kPa) ou moins, le grill doit être isolé de tuyauterie de l'alimentation en gaz en fermant son robinet d'arrêt individuel durant tout essai de la pression du système.

▲ MISE EN GARDE Avant l'allumage, vérifiez tous les joints dans la conduite d'alimentation en gaz pour les fuites. Utilisez une solution d'eau et savon. N'utilisez pas une flamme nue.

INSTALLATION DU RÉGULATEUR DE PRESSION DU GAZ

Le régulateur de pression du gaz est préréglé à 12,7 cm colonne d'eau (CE) pour le gaz naturel et 25,4 cm colonne d'eau (CE) pour le gaz propane. Certains réglages mineurs peuvent être nécessaires selon la pression des gaz spécifique au site.

Installez le régulateur le plus possible du grill sur la conduite d'alimentation en gaz. Vérifiez que la flèche sur le dessous du régulateur est orienté dans la direction de la circulation du gaz vers le grill (fig.3) et que le régulateur est positionné de sorte que la bonde de l'orifice et la vis de réglage sont placés droit (fig.4).

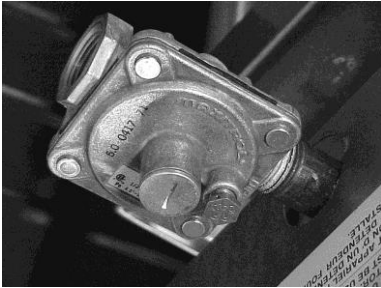


Fig. 4

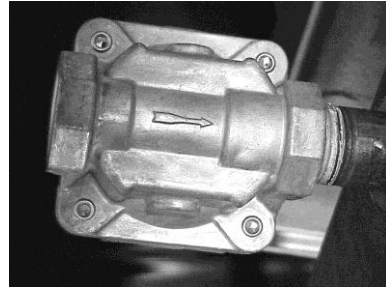


Fig. 3

La pression d'alimentation minimale (en amont du régulateur) devrait être de 18 à 23 cm CE pour le gaz naturel et de 28 à 30 cm CE pour le gaz propane. Le grill ne devrait à aucun moment être connecté à une pression d'alimentation supérieure à 3,45 kPa (½ psi) ou 36 cm CE.

GRILS MUNIS DE ROULETTES

Les grills sur supports avec roulettes doivent employer un raccord flexible (non fourni) qui est conforme à la norme Connectors for Movable Gas Appliances, ANSI Z21.69 • CSA 6.16 et un dispositif de prise à démontage rapide qui est conforme à la norme Quick-Disconnect Devices for use With Gas Fuel, ANSI-Z21.41 • CSA 6.9. De plus, des mesures appropriées doivent être prises pour limiter le mouvement du grill sans dépendre du connecteur et du dispositif de prise à démontage rapide ou de leurs conduites associées. Attachez le dispositif de retenue à l'arrière du grill. Si le débranchement du dispositif est nécessaire, fermez l'alimentation en gaz avant le débranchement. Rebranchez le dispositif avant d'ouvrir l'alimentation en gaz et remplacez le grill à l'endroit où il doit être installé.

Lorsque vous évaluez la tuyauterie de l'alimentation en gaz, si les pressions d'essai excèdent ½ psi (3,45 kPa), le grill et son robinet d'arrêt individuel doivent être déconnectés de la tuyauterie de l'alimentation en gaz. Lorsque les pressions d'essai

baisse notable.

même temps, la pression d'admission sur tous les éléments ne devrait pas démontrer une gaz naturel et de 28 cm CE pour le gaz propane. Avec tous les éléments fonctionnant en satisfaisante. On recommande une pression d'alimentation minimum de 18 cm CE pour le ou à basse pression limiteront le volume de gaz nécessaire pour une performance Une alimentation adéquate en gaz est requise. Des conduites de dimension insuffisante

de saleté et de toute pâte à tuyauterie.

pression. Assurez-vous que les conduites de gaz soient propres et libres d'obstructions, propane. Utilisez le taraud de 0,3 cm (1/8 po.) sur la rampe de brûleurs pour vérifier la 10 cm CE (colonne d'eau) pour le gaz naturel — 25 cm CE (colonne d'eau) pour le effectuée la connexion d'alimentation en gaz. Les orifices en mince paroi sont établis à Un régulateur de pression est fourni et doit être installé à l'extérieur du grill lorsque vous

de 2 cm.

grill. La conduite d'alimentation en gaz doit être au moins l'équivalent d'un tuyau en fer Les codes exigent que la soupape d'arrêt du gaz soit installée dans la conduite de gaz du

corps étranger avant de la connecter à l'appareil.

Vider la conduite d'alimentation pour la nettoyer de toute poussière, saleté ou tout autre

tuyauterie doivent être résistants à l'action des gaz propane.

que tout le système de branchement de l'alimentation gaz et les joints de la **AVIS**

La plaque de données sur le côté inférieur droit du grill indique le type de gaz adapté à votre appareil. NE le raccordez à AUCUN autre type de gaz.

CONNEXION DU GAZ

évacuation libre de toute obstruction.

Le grill devrait être installé sous une hotte de ventilation appropriée. Pour un emploi sécuritaire et une ventilation adéquate, laissez un espace entre le grill et la hotte à

HOTTE DE VENTILATION

nouveau chaque fois qu'il est déplacé.

au bout des pattes pour régler le niveau. Vous devriez vérifier le niveau de cet appareil à appareil qui n'est pas mis à niveau. Le grill est muni de pattes réglables. Tournez le pied la droite. Il se produira des zones où la distribution de la chaleur sera inégale dans un est important que le grill soit mis à niveau de l'avant vers l'arrière et de la gauche vers

MISE À NIVEAU

COMPOSANTS PRINCIPAUX

▲ MISE EN GARDE

Les grilles et ses pièces sont chauds. Faites attention lorsque vous employez, nettoyez ou entretenez ce grill.

Les grilles de cuisson - Les grilles de cuisson doivent toujours être en place et correctement fixés sur les panneaux émetteurs durant le fonctionnement. Lavez entièrement les grilles avec une solution d'eau et de savon et rincez avant la première utilisation.

Ramasse-miettes - Le ramasse-miettes est le plateau qui recueille tous les débris qui tombent du grill. Les ramasse-miettes doivent être complètement rentrés pendant le fonctionnement de l'appareil.

Panneau émetteur - Le grill ne doit

jamais fonctionner tant que les panneaux émetteurs ne sont pas en

place. Les panneaux émetteurs

protègent le brûleur des jus de cuisson et des débris. Le fait de faire fonctionner le brûleur sans que les panneaux émetteurs ne soient en place entraîne

une mauvaise performance et l'obstruction des brûleurs. Les panneaux émetteurs répandent l'énergie facilitant ainsi la cuisson à infrarouge.

Les panneaux émetteurs doivent s'appuyer sur les fixations des brûleurs latéraux et dans les fixations des brûleurs avant et arrière au-dessus de chaque brûleur. Les panneaux émetteurs doivent être positionnés avec les rebords saillants pointés vers le haut. Voir Fig. 2.

Les panneaux émetteurs sont des consommables. En fonction de votre menu et des heures de fonctionnement, les panneaux émetteurs devront être remplacés.

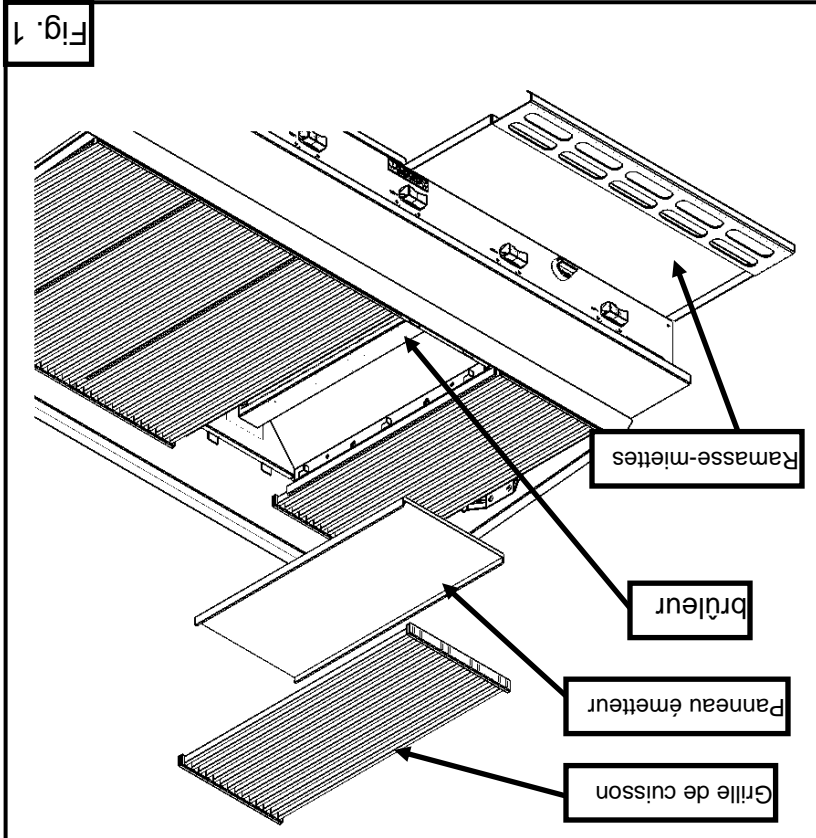


Fig. 1

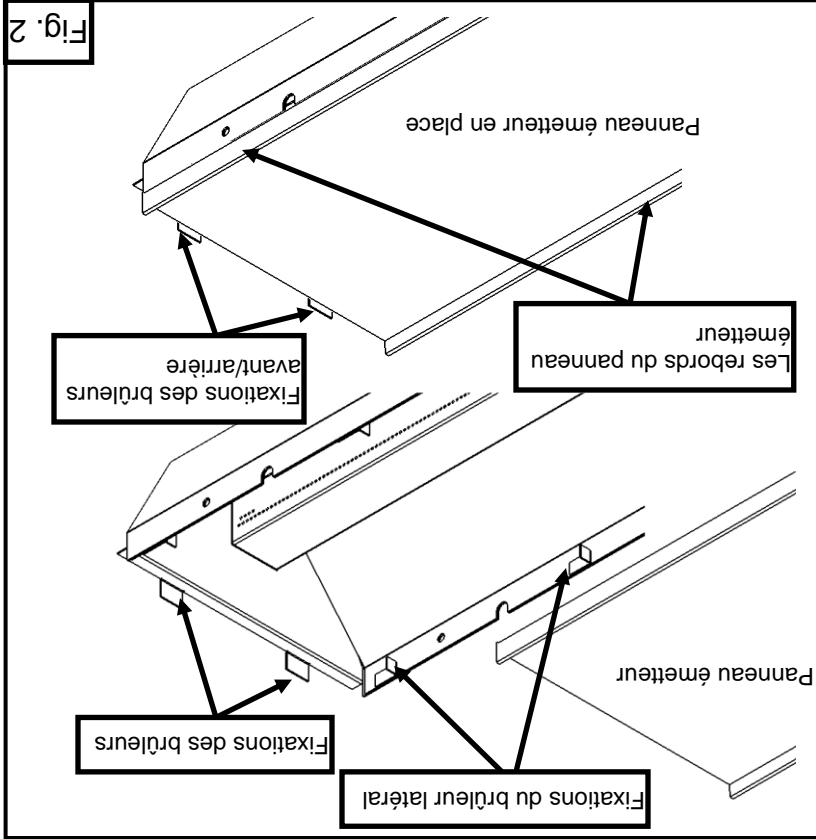


Fig. 2

EMPLACEMENT

Le lieu de l'installation doit être maintenu sans présence de combustibles. N'obstruez pas la circulation de la combustion ainsi que l'air de ventilation. NE PAS installer le grill adjacent à une ou des fritieuses à moins d'observer les dispositions prévues par les codes locaux et/ou les sections applicables des normes ANSI-Z223.1/NFPA N° 54 et NFPA N° 96 (éditions les plus récentes) aux États-Unis d'Amérique ou les normes CAN/CSA 149.1 et CAN/CSA 149.2 (éditions les plus récentes) au Canada.

Suffisamment d'air devrait entrer dans la pièce afin de compenser la quantité d'air enlevé par tout système de ventilation et pour la combustion des brûleurs de gaz. Ne pas obstruer la circulation de l'air à l'intérieur et autour de l'appareil. N'obstruez pas la circulation des gaz dans les conduits des grills de cuisson du grill. Placez le grill dans son emplacement définitif. Assurez-vous qu'il y a suffisamment d'espace libre pour entretenir le grill et effectuer la (les) connexion(s) nécessaire(s) d'alimentation en gaz. Prévoyez un espace libre de 61 cm à l'avant pour le nettoyage, l'entretien et l'emploi adéquat.

Ce grill est uniquement conçu pour les lieux sans combustibles. Son installation dans des locaux combustibles est interdite, sauf suivant les dispositions prévues par les codes locaux et/ou les sections applicables des normes ANSI-Z223.1/NFPA N° 54 et NFPA N° 96 (éditions les plus récentes) aux États-Unis d'Amérique ou les normes CAN/CSA 149.1 et CAN/CSA 149.2 (éditions les plus récentes) au Canada, le tout sujet à l'approbation de l'autorité compétente.

Les espaces minimums pour les parois non combustibles sont de 0 cm à l'arrière et de 0 cm de chaque côté.

CODES ET NORMES D'INSTALLATION

Le grill doit être installé conformément à :

Aux États-Unis d'Amérique :

1. Codes locaux et d'état.

2. National Fuel Gas Code, ANSI-Z223.1/NFPA N° 54 (dernière édition). Cela doit comprendre sans être limité à : NFPA No 54 Section 10.3.5.2 pour la ventilation. Vous pouvez obtenir des copies auprès de l'American Gas Association Accredited Standards Committee Z223, à 400 N. Capital St. NW, Washington, DC 20001 ou le Secretary Standards Council, NFPA, 1 Batterymarch Park Quincy, MA 02169-7471

REMARQUE : Dans l'État du Massachusetts

Tous les appareils d'utilisation du gaz aérés grâce à une hotte de ventilation ou un système d'échappement muni d'une clef de réglage ou avec une moyenne potentielle d'échappement qui doivent être conformes à 248 CMR.

3. Norme NFPA N° 96 Vapor Removal from Cooking Equipment, dernière édition, disponible auprès de l'organisme National Fire Protection Association, Batterymarch Park, Quincy, MA 02269.

Au Canada :

1. Codes locaux.

2. Code d'installation du gaz naturel CAN/CSA-B149.1 (dernière édition)

3. Code d'installation du propane CAN/CSA-B149.2 (dernière édition), disponible auprès de l'Association Canadienne du Gaz, 178 boul. Rexdale, Etobicoke, Ontario, Canada M9W 1R3

INSTALLATION, FONCTIONNEMENT ET ENTRETIEN DES GRILS DU COMPTOIR À GAZ

GÉNÉRAL

Les grils infrarouges à gaz sont uniquement destinés à l'usage commercial et produisent une chaleur instantanée et efficace. Chaque brûleur est contrôlé par une soupape à gaz réglable. Les panneaux émetteurs sont situés directement au-dessus de chaque brûleur pour garder une température uniforme et produire une cuisson à infrarouge. En fonction de votre menu et des heures de fonctionnement, les panneaux émetteurs devront être remplacés. Les panneaux émetteurs et les grils de cuisson en acier inoxydable s'enlèvent facilement pour le nettoyage, après refroidissement. Un ramasse-miettes est fourni pour recueillir la graisse et les débris; il s'ouvre à l'avant pour la vérification ou le nettoyage.

| Modèle | Nombre de brûleurs | Débit calorifique BTU/h |
|--------|--------------------|-------------------------|
| VTEC14 | 1 | 22,000 |
| VTEC25 | 2 | 44,000 |
| VTEC36 | 3 | 66,000 |
| VTEC48 | 4 | 88,000 |
| VTEC60 | 5 | 110,000 |

INSTALLATION

DÉBALLAGE

Ce grill a été inspecté avant de quitter l'usine. En acceptant sa livraison, le transporteur prend l'entière responsabilité de le livrer en toute sécurité. Immédiatement après la livraison, vérifiez s'il a effectivement subi des dommages pendant le transport.

- S'il s'avère que le grill a été endommagé, veuillez suivre les procédures suivantes :
1. Le transporteur doit être averti dans les 5 jours ouvrables suivant la réception.
 2. Les gens du terminus local du transporteur doivent être avisés immédiatement lors de la découverte des dommages (indiquez l'heure, la date et à qui vous avez parlé) et assurez le suivi en confirmant les faits par écrit ou par communication électronique.
 3. Pour fins d'inspection, tout le matériel d'emballage original doit être conservé.
 4. Le grill ne doit pas avoir été déplacé, installé ou modifié.
 5. Avisez le Service à la clientèle de Vulcan immédiatement en faisant le (800) 814-2028

Déballiez soigneusement votre grill et assurez-vous qu'aucune pièce n'a été jetée avec l'emballage. Un régulateur de pression conçu pour fonctionner avec le brûleur a été fourni et doit être installé avant que le grill soit mis en service (Consultez l'INSTALLATION DU RÉGULATEUR DE PRESSION DU GAZ dans ce manuel).

Avant l'installation, vérifiez que le type de gaz (naturel ou propane) et les espaces de dégagement sont conformes aux normes spécifiées sur la plaque située sur le côté supérieur avant droit.

IMPORTANT POUR VOTRE SÉCURITÉ

CE MANUEL A ÉTÉ CONÇU POUR LE PERSONNEL APTE À INSTALLER UN ÉQUIPEMENT AU GAZ, QUI DOIT EFFECTUER LA MISE EN MARCHE ET LES RÉGLAGES INITIAUX DE L'ÉQUIPEMENT DONT IL S'AGIT DANS CE MANUEL. PLACEZ DANS UN ENDROIT IMPORTANT LES INSTRUCTIONS QUI DOIVENT ÊTRE SUIVIES AU CAS OÙ UNE ODEUR DE GAZ SERAIT DÉTECTÉE. VOUS POUVEZ DEMANDER CES RENSEIGNEMENTS AU FOURNISSEUR DE GAZ LOCAL.

IMPORTANT

AU CAS OÙ UNE ODEUR DE GAZ SERAIT DÉTECTÉE, FERMEZ LE ROBINET D'ARRÊT PRINCIPAL DES APPAREILS ET COMMUNIQUEZ AVEC VOTRE COMPAGNIE DE GAZ OU VOTRE FOURNISSEUR DE GAZ LOCAL AFIN D'OBTENIR DU SERVICE.

POUR VOTRE SÉCURITÉ

NE PAS ENTREPOSER OU UTILISER DE L'ESSENCE OU AUTRES VAPEURS OU LIQUIDES INFLAMMABLES À PROXIMITÉ DE CET APPAREIL OU TOUT AUTRE APPAREIL.

MISE EN GARDE

Une installation, un ajustement, une modification, un service ou un entretien inapproprié peut causer du dommage matériel, une blessure ou la mort. Lire minutieusement les instructions d'installation, d'emploi et d'entretien avant d'installer ou de se servir de cet équipement.

EN CAS DE PANNE DE COURANT, NE PAS TENTER DE FAIRE FONCTIONNER CET APPAREIL.



MANUEL D'INSTALLATION ET D'EMPLOI GRIL INFRAROUGE À GAZ

MODÈLES

VTEC14
VTEC25
VTEC36
VTEC48
VTEC60



VTEC36

Pour obtenir des renseignements supplémentaires au sujet de Vulcan-Hart ou pour trouver un fournisseur de pièces et service autorisé dans votre région, veuillez visiter notre site web à www.vulcanequipment.com

GARDER CE MANUEL POUR UNE
UTILISATION FUTURE

FORM F38330 (6-17)

©ITW Food Equipment Group, LLC
3600 North Point Blvd.
Baltimore, MD 21222